



## Product Specification Sheet

# EK-FC480 GTX

EAN / Part #: 3831109830147

Copper Plexi

Copper Acetal

Nickel Plexi

Nickel Acetal

### Summary:

- Featuring a unique, modern look copper design High performance VGA water block for GeForce 480 GTX reference design series graphic cards.
- EK FC series water blocks cover all chips on graphic cards that require cooling if overclocked.
- An extreme high flow path design and unique increased cooling surface over GPU keeps all your graphic cards components cool even at highest graphical loads and over clock.
- Blocks base is made of SE CU electrolytic copper.
- High quality CNC manufacturing.
- Leak tested to 2 bar pressure (30psi).
- Safe, noob-proof mounting system with Standoffs.

### Key Features:

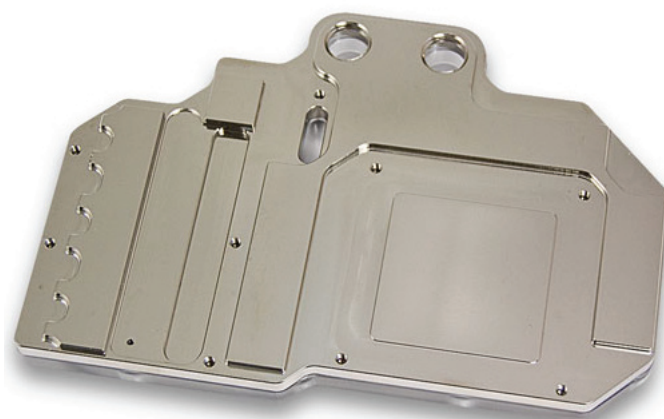
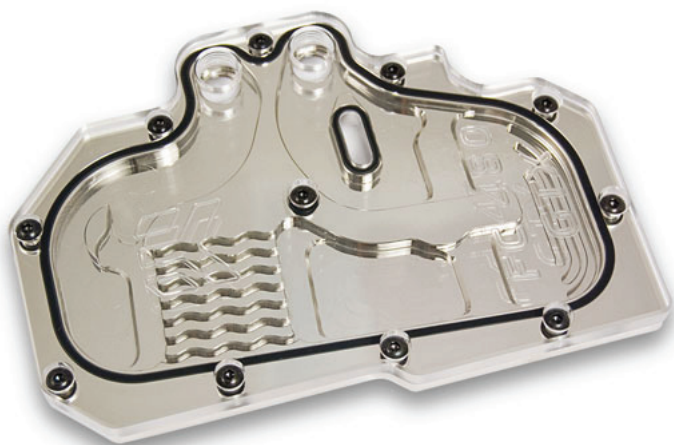
- Real high flow internal design gives minimum flow restriction which allows lowest possible temperatures, not only at VGA water block, but also in the entire water-cooling system.
- Cools GPU, VREG, I/O CHIPS and MEMORY modules.
- Multiple barb/fitting position allows 4 different fitting configurations. Allows maximum flexibility for water cooling system setup also in CF.
- Reduces temperatures up to 50°C or more at maximum load.
- Much cooler components, allow maximum possible overclocking.

### Technical data:

- dimensions of copper base: 170 x 119 x 8mm
- dimensions of acrylic top: 171 x 120 x 8mm
- threads: 4 x G 1/4
- fittings: optional, not enclosed
- neto weight: 950g
- bruto weight: 1000g

### Packing list:

- 1 x Water block
- 2 x EK-Plug G 1/4
- 2 x EK-G 1/4 Spacer with o-ring
- Mounting mechanism with 10 x POM Acetal standoffs
- Thermal pads
- Allen key
- metal plate - GPU reinforcer + washer



Do not forget other EK products for your water cooling system:



blocks



radiators



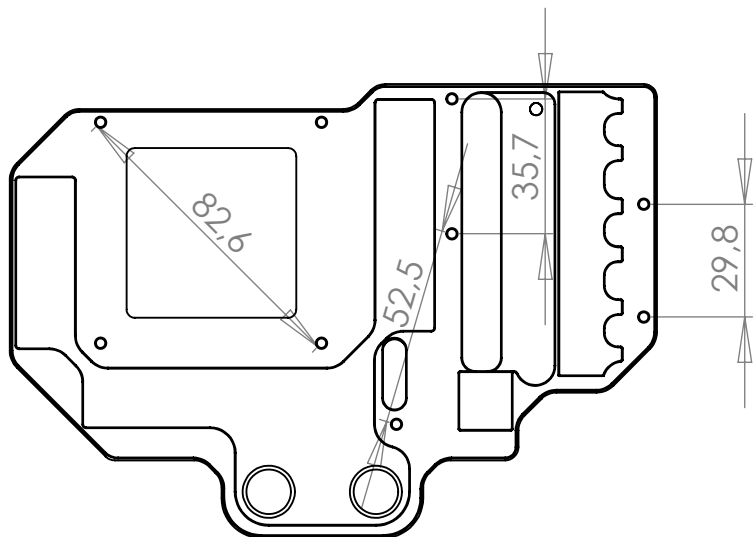
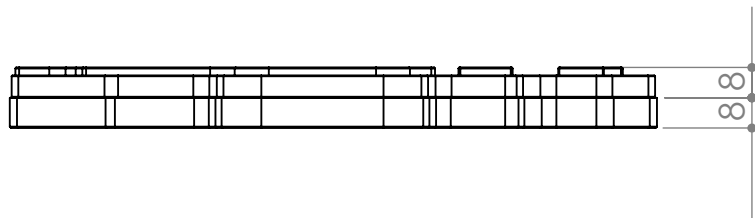
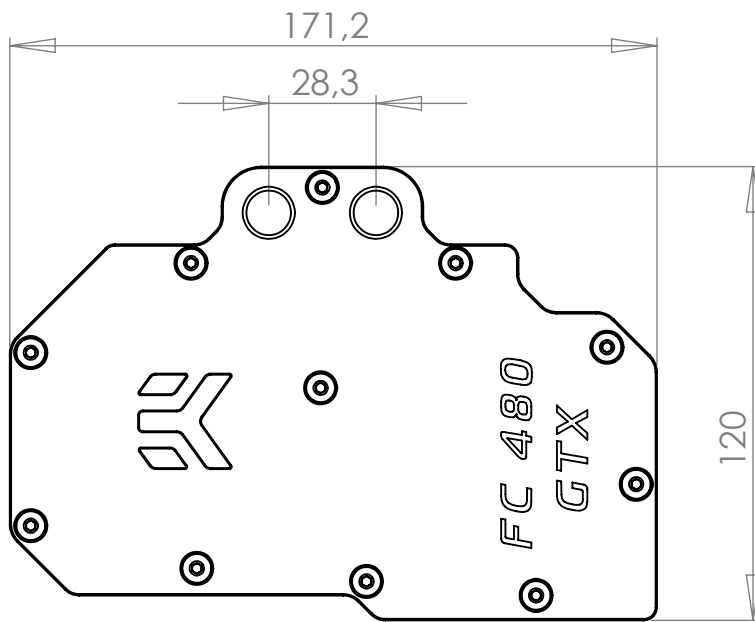
pumps



resevoirs



accessories



**IMPORTANT DISCLOSURE:** Drawing is copyrighted and property of EKWB d.o.o. company. Drawing is supplied only for easier compatibility recognition by user and can not be used for any other intention.

PRODUCT NAME: EK-FC480 GTX

Scale: 1:2

Sheet format A4

Sheet 1 of 1