



## Product Specification Sheet

# EK-FB GA 990FXA-UD7

EAN / Part #: 3831109820674

Copper Plexi

Copper Acetal

Nickel Plexi

Nickel Acetal

### Summary:

- Featuring a unique, modern look copper design High performance Full Board water block for GIGABYTE 990FXA UD7 series motherboards.
- EK FB series water blocks cover all chips on motherboards that require cooling if overclocked.
- An extreme high flow path design and unique increased cooling surface over Northbridge keeps all your motherboard components cool even at highest loads and over clock.
- Blocks base is made of SE CU electrolytic copper.
- High quality CNC manufacturing.
- Leak tested to 2 bar pressure (30psi).
- Safe, noob-proof mounting system with Standoffs.

### Key Features:

- Real high flow internal design gives minimum flow restriction which allows lowest possible temperatures, not only at FB water block, but also in the entire water-cooling system.
- Cools NB, SB and VREGs.
- Allows maximum flexibility for water cooling system setup also in SLI/CF.
- Reduces temperatures up to 40°C or more at maximum load.
- Much cooler components allow maximum possible overclocking.

### Technical data:

- dimensions of copper base: 150 x 57 x 4,2mm
- dimensions of acrylic top: 149 x 56 x 9,5mm
- threads: 2 x G 1/4
- fittings: optional, not enclosed
- neto weight: 300g
- bruto weight: 330g

### Packing list:

- 1 x Water block
- 1 x EK-G 1/4 Spacer with o-ring
- Mounting mechanism with 6 x brass standoffs
- Thermal pads
- 6 washers
- Aluminum SB heat sink



Do not forget other EK products for your water cooling system:



blocks



radiators



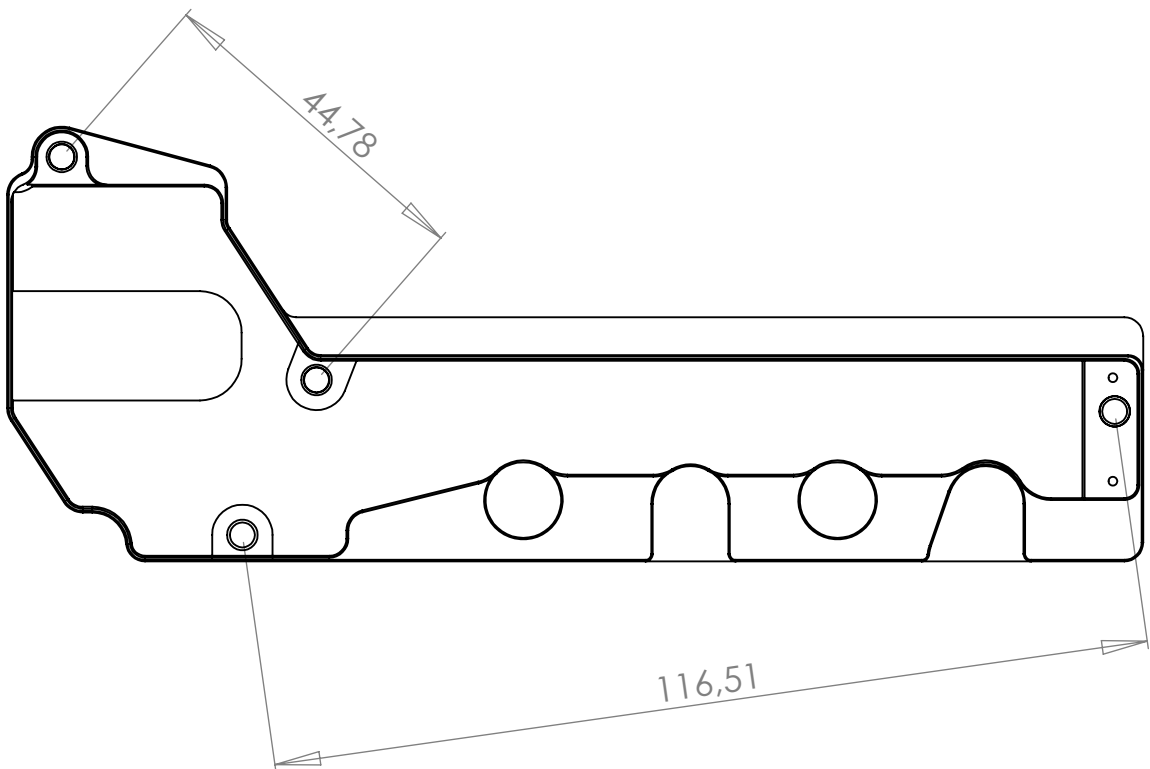
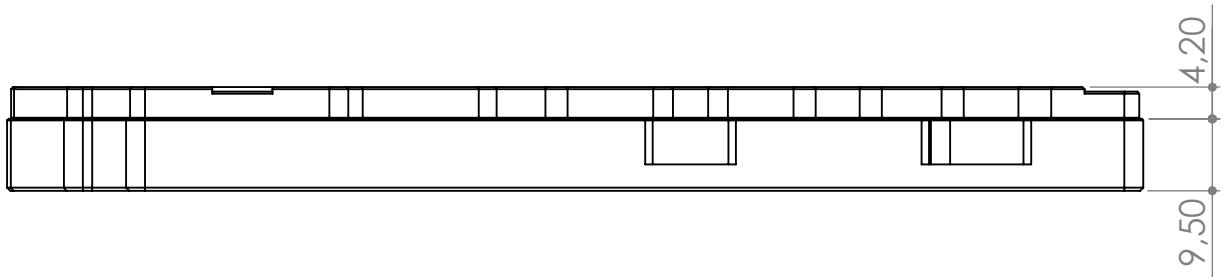
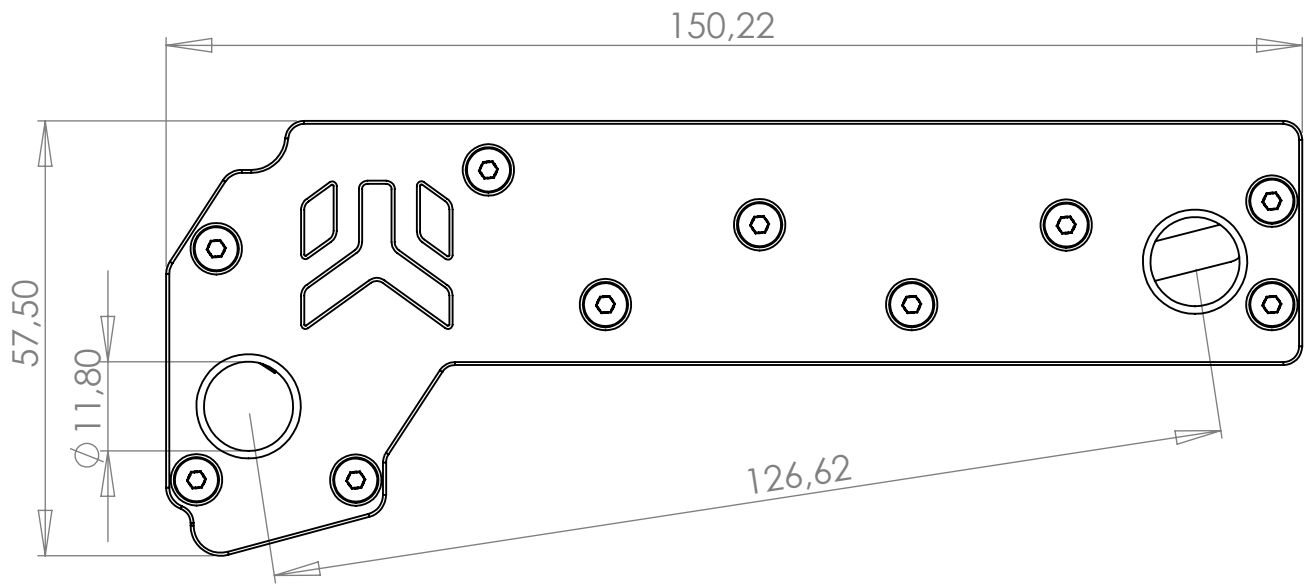
pumps



resevoirs



accessories



**IMPORTANT DISCLOSURE:** Drawing is copyrighted and property of EKWB d.o.o. company. Drawing is supplied only for easier compatibility recognition by user and can not be used for any other intention.

PRODUCT NAME: EK-FB GA 990FXA-UD7

Scale: 1:1

Sheet format A4

Sheet 1 of 1