



## Product Specification Sheet

# EK-FB KIT GA X58A (UD9)

EAN / Part #: 3831109820315

Copper Plexi

Copper Acetal

Nickel Plexi

Nickel Acetal

### Summary:

- Featuring a unique, modern look copper design High performance Full Board water block for GIGABYTE GA X58A UD9 series motherboards.
- EK FB series water blocks cover all chips on motherboards that require cooling if overclocked.
- An extreme high flow path design and unique increased cooling surface over Northbridge keeps all your motherboard components cool even at highest loads and over clock.
- Blocks base is made of SE CU electrolytic copper.
- High quality CNC manufacturing.
- Leak tested to 2 bar pressure (30psi).
- Safe, noob-proof mounting system with Standoffs.

### Key Features:

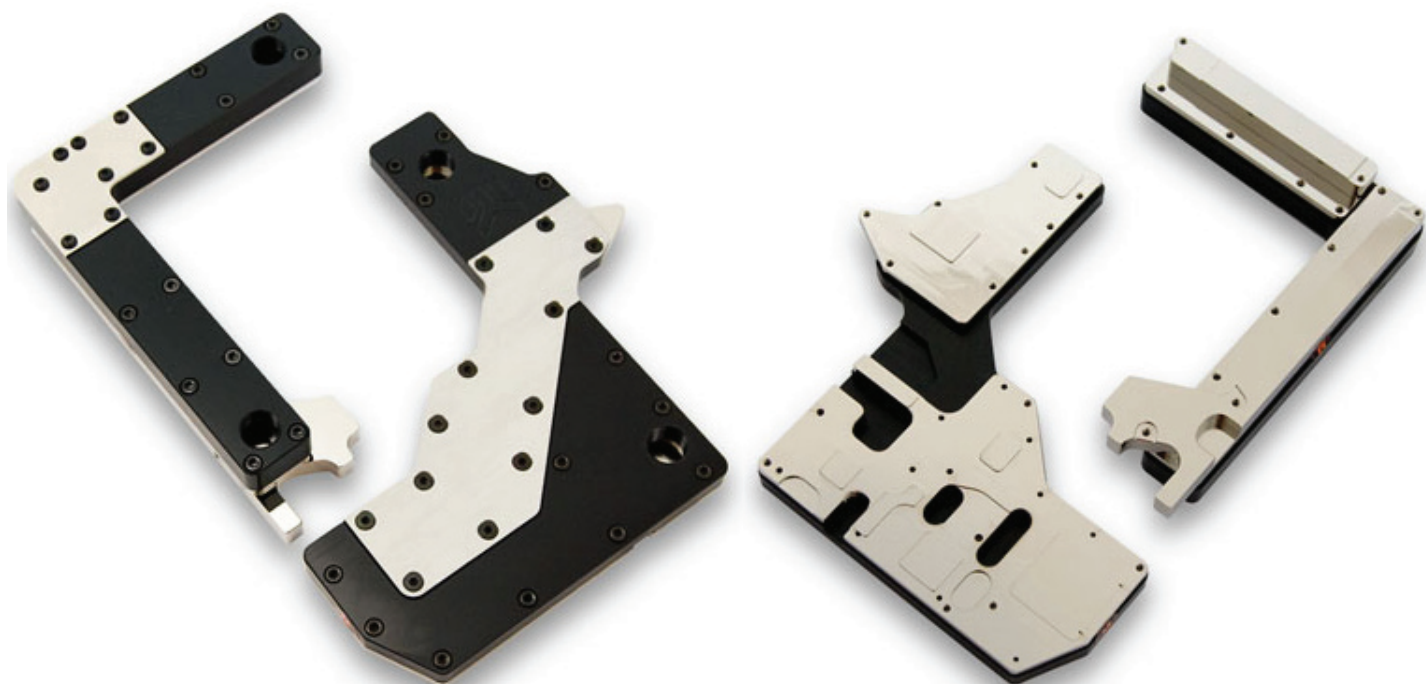
- Real high flow internal design gives minimum flow restriction which allows lowest possible temperatures, not only at FB water block, but also in the entire water-cooling system.
- Cools NB, SB and VREGs.
- Allows maximum flexibility for water cooling system setup also in SLI/CF.
- Reduces temperatures up to 40°C or more at maximum load.
- Much cooler components allow maximum possible overclocking.

### Technical data:

- dimensions of copper base: 165 x 166 x 5mm
- dimensions of copper base 1 : 156x 119 x 13mm
- dimensions of acetal top: 149 x 167 x 8mm
- dimensions of acetal top 1: 142x 119 x 12mm
- threads: 4 x G 1/4
- fittings: optional, not enclosed
- neto weight: 1100g
- bruto weight: 1300g

### Packing list:

- 2 x Water blocks
- Mounting mechanism with 12 x POM Acetal standoffs
- Thermal pads
- 12 polyamid washers



Do not forget other EK products for your water cooling system:



blocks



radiators



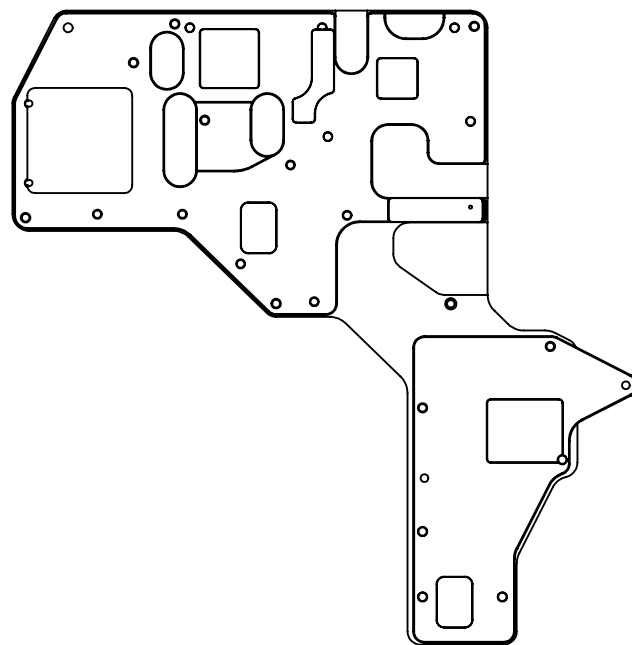
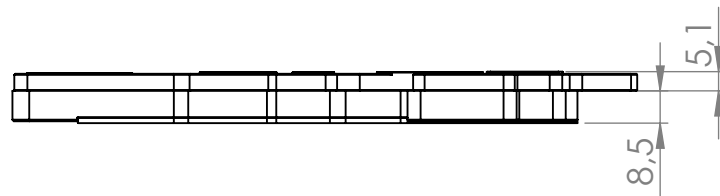
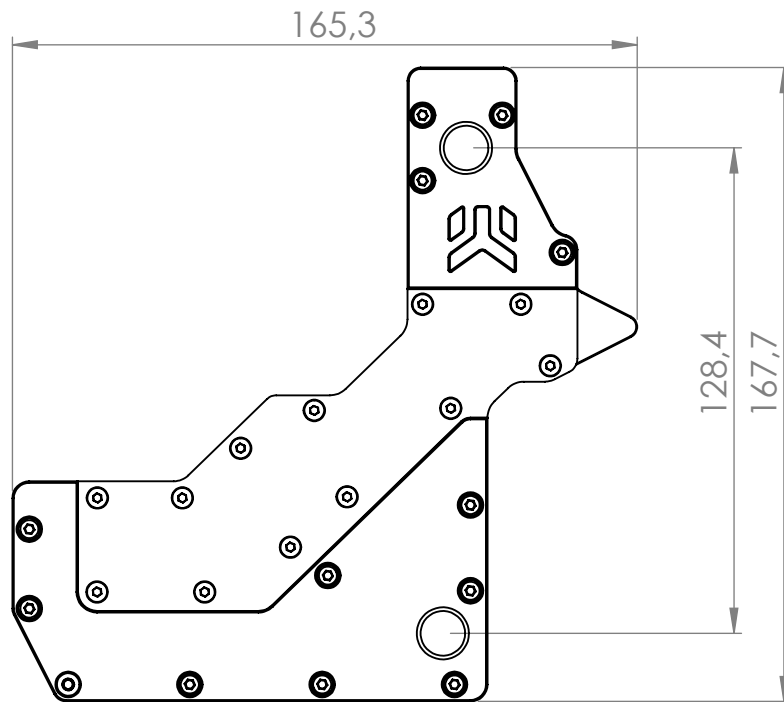
pumps



resevoirs



accessories



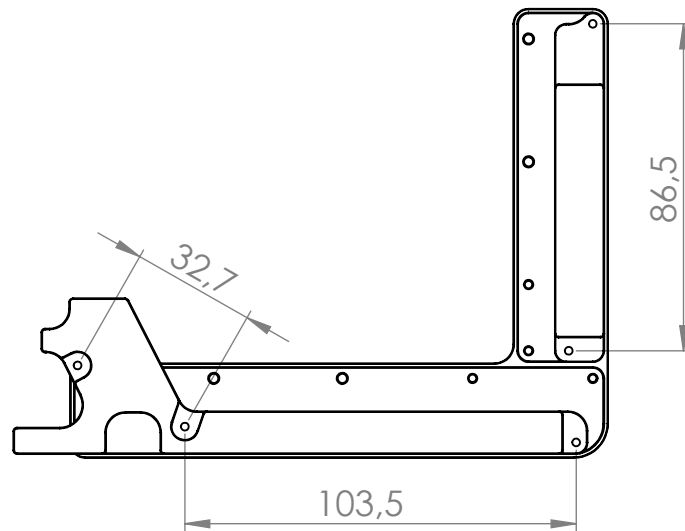
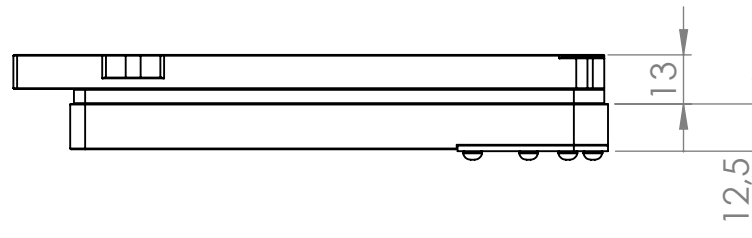
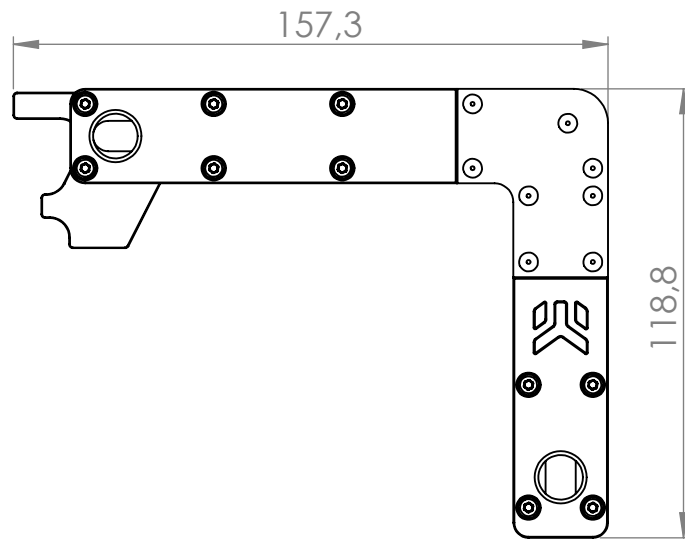
**IMPORTANT DISCLOSURE:** Drawing is copyrighted and property of EKWB d.o.o. company. Drawing is supplied only for easier compatibility recognition by user and can not be used for any other intention.

PRODUCT NAME: EK-FB KIT GA X58A (UD9)

Scale: 1:2

Sheet format A4

Sheet 1 of 2



**IMPORTANT DISCLOSURE:** Drawing is copyrighted and property of EKWB d.o.o. company. Drawing is supplied only for easier compatibility recognition by user and can not be used for any other intention.

PRODUCT NAME: EK-FB KIT GA X58A (UD9)

Scale: 1:2

Sheet format A4

Sheet 2 of 2