



## Product Specification Sheet

# EK-FB ASUS P7P55 KIT

EAN / Part #: 3831109820049

Copper Plexi

Copper Acetal

Nickel Plexi

Nickel Acetal

### Summary:

- Featuring a unique, modern look copper design High performance Full Board water block for ASUS P5 motherboard series.
- An extreme high flow path design and unique increased cooling surface over Mosfets and Southbridge keeps all your motherboard components cool even at highest loads and over clock.
- Blocks base is made of SE CU electrolytic copper.
- High quality CNC manufacturing.
- Leak tested to 2 bar pressure (30psi).
- Safe, noob-proof mounting system.

### Key Features:

- Real high flow internal design gives minimum flow restriction which allows lowest possible temperatures, not only at FB water block, but also in the entire water-cooling system.
- Cools Mosfets and SB.
- Allows maximum flexibility for water cooling system setup also in SLI/FC.
- Reduces temperatures up to 40°C or more at maximum load.
- Much cooler components allow maximum possible overclocking.

### Technical data:

- dimensions of copper base SB: 40 x 40 x 5,5mm
- dimensions of copper base mosfet: 122 x 103,9 x 4,2 mm
- dimensions of acrylic top SB: 51 x 52 x 8mm
- dimensions of acrylictop mosfet: 105,9 x 124 x 17,5mm
- threads: 2 x G 1/4
- fittings: optional, not enclosed
- neto weight: 260g
- bruto weight: 330g

### Packing list:

- 2 × Water blockS
- Mounting mechanism
- Thermal pads

Do not forget other EK products for your water cooling system:



blocks



radiators



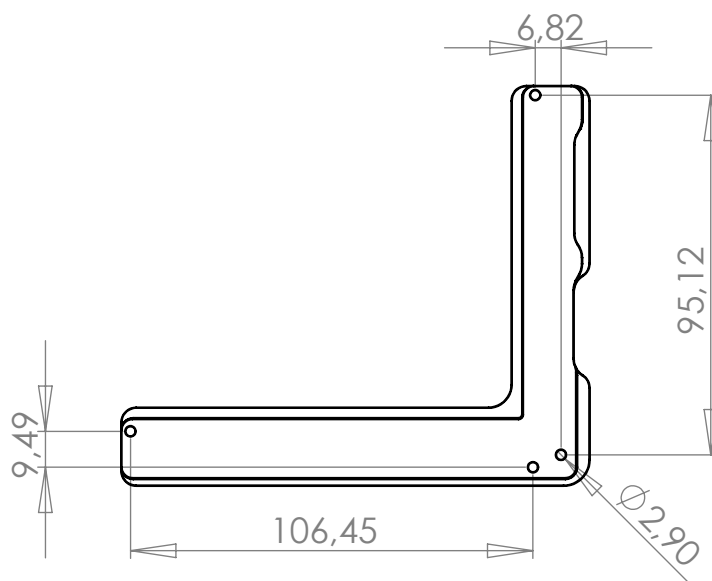
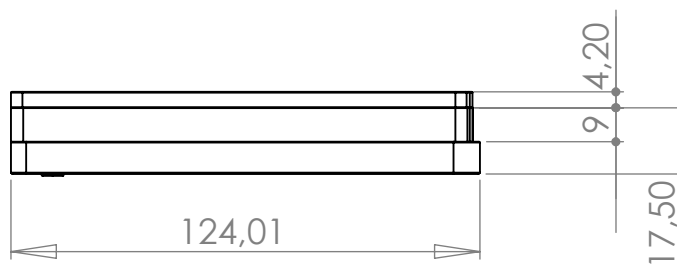
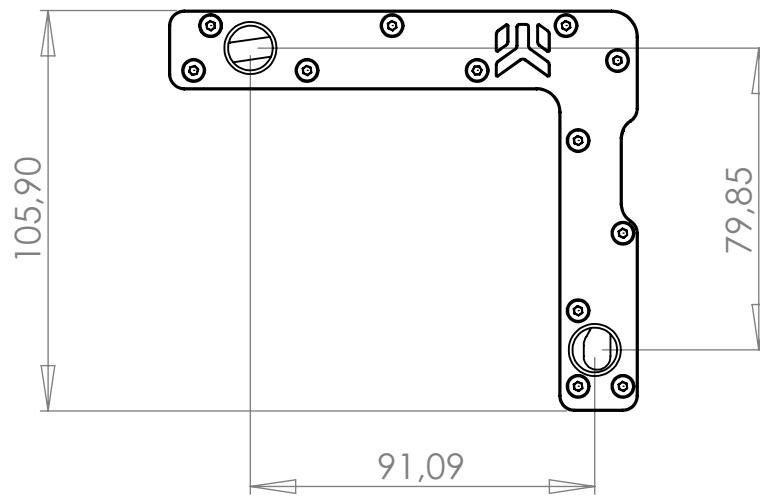
pumps



resevoirs



accessories



**IMPORTANT DISCLOSURE:** Drawing is copyrighted and property of EKWB d.o.o. company. Drawing is supplied only for easier compatibility recognition by user and can not be used for any other intention.

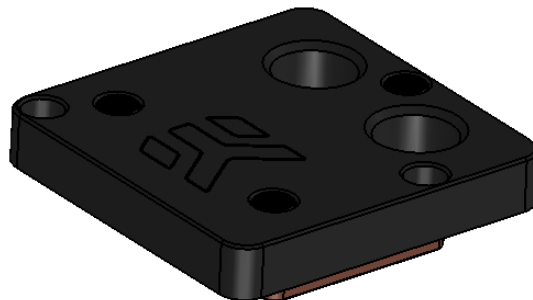
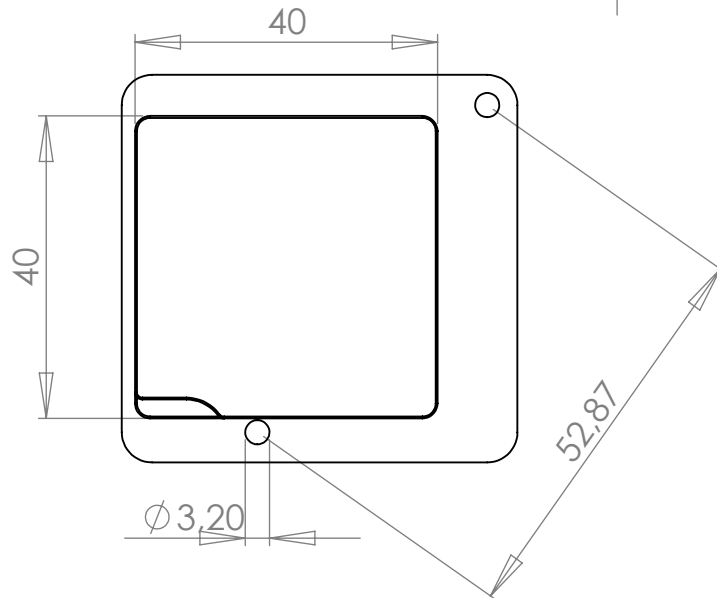
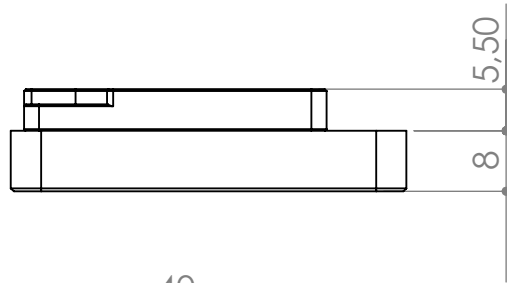
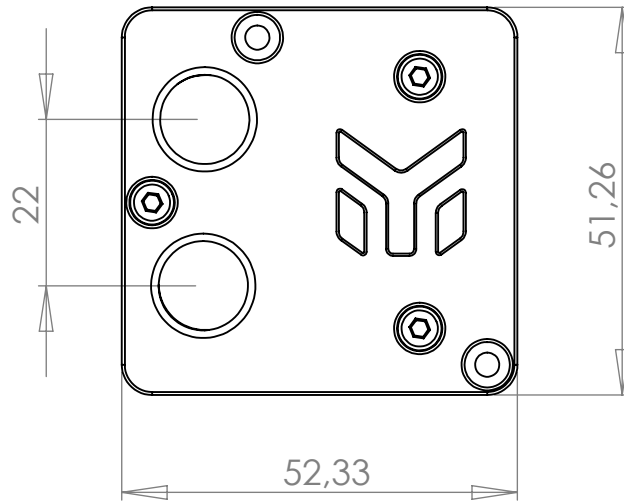


PRODUCT NAME: MOSFET ASUS P7P55

Scale: 1:2

Sheet format A4

Sheet 1 of 2



**IMPORTANT DISCLOSURE:** Drawing is copyrighted and property of EKWB d.o.o. company. Drawing is supplied only for easier compatibility recognition by user and can not be used for any other intention.



PRODUCT NAME: EK-SB ASUS P7P55D

Scale: 1:1

Sheet format A4

Sheet 1 of 2