



Product Specification Sheet

EK-VGA SUPREME HF

EAN / Part #: 3831109805008

Copper Plexi

Copper Acetal

Nickel Plexi

Nickel Acetal

Summary:

- Featuring a unique, modern look copper design High performance VGA water block for most of video cards.
- EK VGA Supreme HF series water blocks cover only GPU on graphic cards that require cooling.
- An extreme high flow path design and unique increased cooling surface over GPU keeps all your graphic cards components cool even at highest graphical loads and over clock.
- Blocks base is made of SE CU electrolytic copper.
- High quality CNC manufacturing.
- Leak tested to 2 bar pressure (30psi).
- Safe, noob-proof mounting system.

Key Features:

- Real high flow internal design gives minimum flow restriction which allows lowest possible temperatures, not only at VGA water block, but also in the entire water-cooling system.
- Cools GPU.
- Reduces temperatures up to 50°C or more at maximum load.
- Much cooler components, allow maximum possible overclocking.

Technical data:

- dimensions of copper base: 49,5 x 49,5 x 5,5mm
- dimensions of acrylic top: 55 x 55 x 19,5mm
- threads: 2 x G 1/4
- fittings: optional, not enclosed
- neto weight: 250g
- bruto weight: 300g

Packing list:

- 1 x Water block
- Mounting mechanism



Do not forget other EK products for your water cooling system:



blocks



radiators



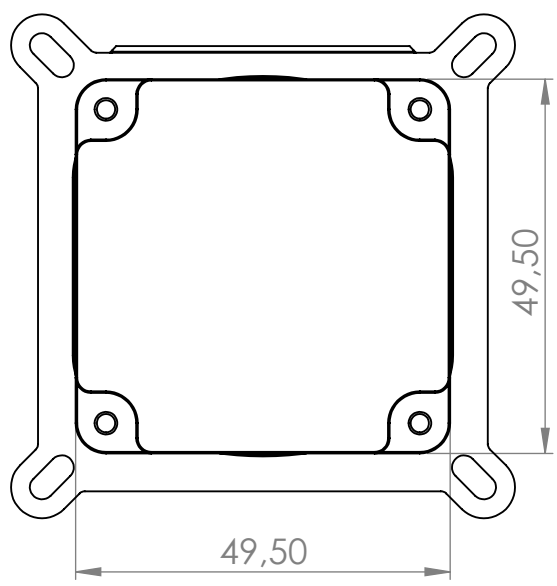
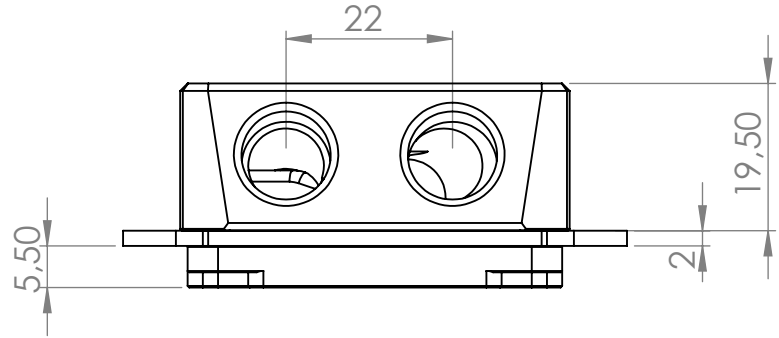
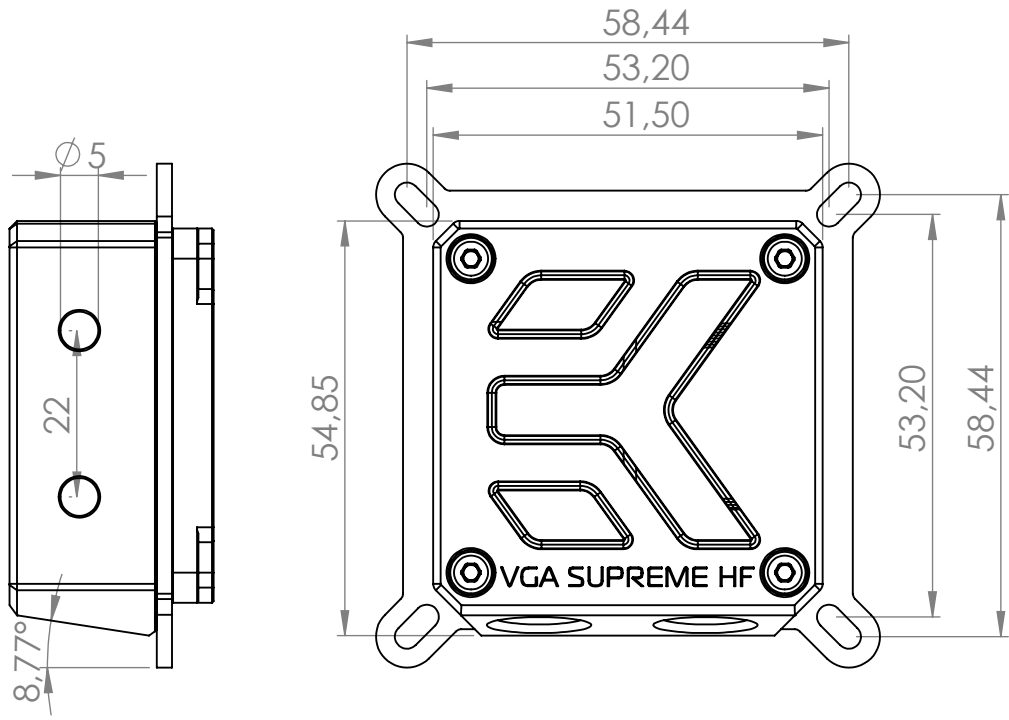
pumps



resevoirs



accessories



IMPORTANT DISCLOSURE: Drawing is copyrighted and property of EKWB d.o.o. company. Drawing is supplied only for easier compatibility recognition by user and can not be used for any other intention.

PRODUCT NAME: EK-VGA SUPREME HF

Scale: 1:1

Sheet format A4

Sheet 1 of 1