



## Product Specification Sheet

# EK-Supreme HF - Full Nickel

EAN / Part #: 3830046990235

Copper Plexi

Full Nickel

Nickel Plexi

Nickel Acetal

### Summary:

- Featuring a unique, modern look copper design Extreme performance CPU water block for all sockets below.  
Processor compatibility:  
Intel® Pentium® 4, D, Celeron, Socket 478,  
Intel® Xeon socket 603, 604, 771,  
Intel® LGA 775, 1366 (i 7) and 1156 (i5) sockets.  
AMD® Athlon 64, Sempron, 754, 939, 940,  
AMD® socket AM2, AM2+, AM3.
- A high flow path design and increased cooling surface over CPU keeps your processor cool even at highest loads and over clock.
- Blocks base and top are made of SE CU nickel plated electrolytic copper (lapped and polished to +/- 0,0007 mm flatness - base only).
- High quality CNC manufacturing.
- Leak tested to 2 bar pressure (30psi).
- Mounting system with springs.

### Key Features:

- The EK-Supreme HF cooling engine uses fin design. The water accelerates through jet plate channels through 49 very thin channels, which gives extreme cooling surface right above heat source.
- High flow internal design gives low flow restriction which allows lowest possible temperatures in the entire water-cooling system.
- Reduces temperatures up to 50°C or even more at maximum load.
- Much cooler CPU core, allow maximum possible overclocking.

### Technical data:

- dimensions of copper base: 55 x 55 x 6mm
- dimensions of copper top: 57 x 57 x 17,5mm
- dimensions of stainless steel jet plate: 24 x 42 x 1mm
- threads: 2 x G 1/4
- fittings: optional, not enclosed
- neto weight: 350g
- bruto weight: 675g

### Packing list:

- 1 x Water block
- Easy mount mounting mechanism
- Universal CPU retention plate
- Thermal grease Arctic Cooling MX-2 (2g)



Do not forget other EK products for your water cooling system:



blocks



radiators



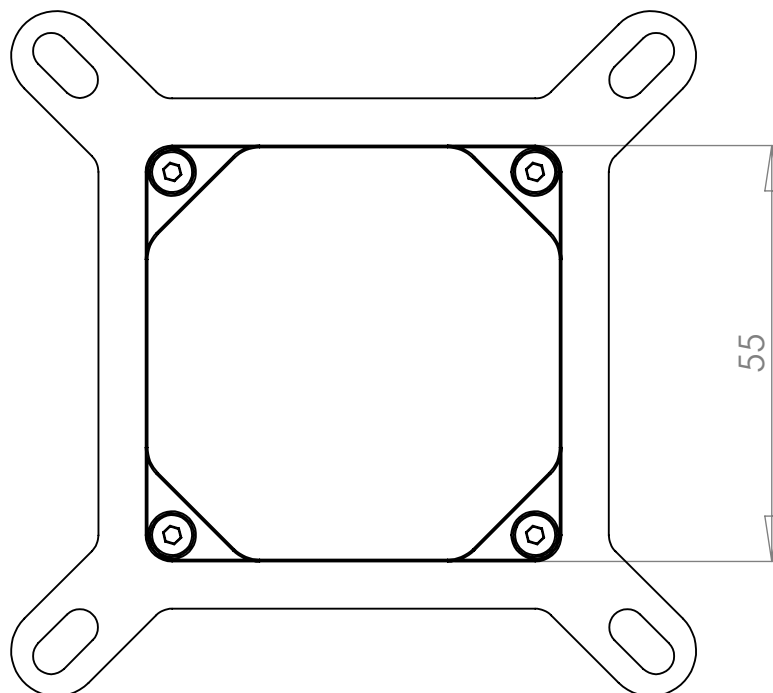
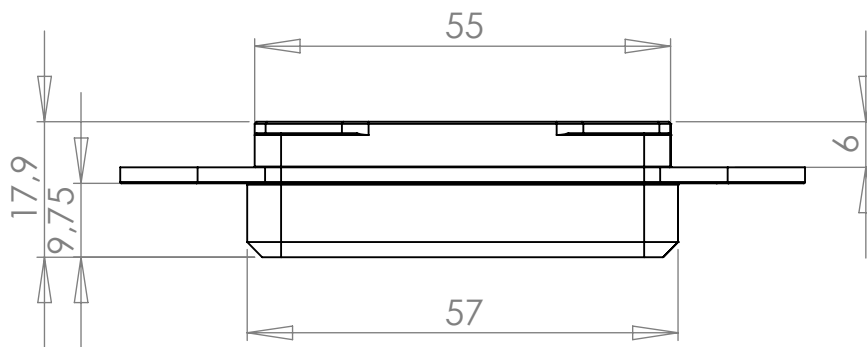
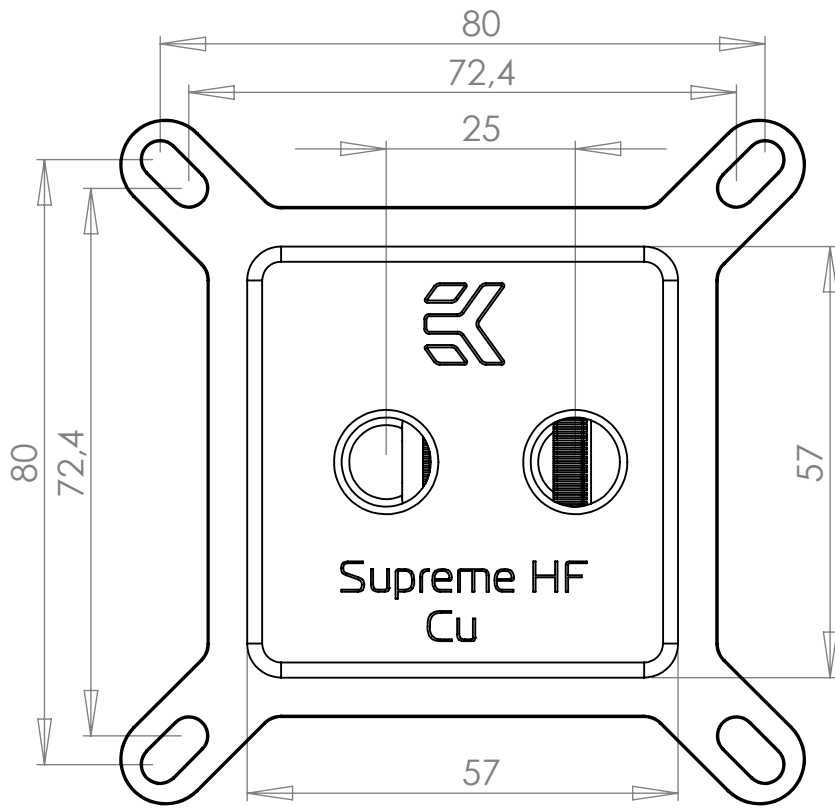
pumps



resevoirs



accessories



**IMPORTANT DISCLOSURE:** Drawing is copyrighted and property of EKWB d.o.o. company. Drawing is supplied only for easier compatibility recognition by user and can not be used for any other intention.

PRODUCT NAME: EK-SUPREME HF - FULL COPPER/NICKEL

Scale: 1:1

Sheet format A4

Sheet 1 of 1