



Product Specification Sheet

EK-Supreme LT AMD

EAN / Part #: 3830046990150

Copper Plexi

Copper Acetal

Nickel Plexi

Nickel Acetal

Summary:

- Featuring a unique, modern look copper design Extreme performance CPU water block for all sockets below.
Processor compatibility:
AMD Sockets 393, 754, 940
AMD Sockets AM2, AM2+, AM3
- A high flow path design and increased cooling surface over CPU keeps your processor cool even at highest loads and over clock.
- Blocks base is made of SE CU electrolytic copper, lapped and polished to +/- 0,0007 mm flatness.
- High quality CNC manufacturing.
- Leak tested to 2 bar pressure (30psi).

Key Features:

- The EK-Supreme cooling engine uses fin design. The water accelerates through jet plate channels through 49 very thin channels, which gives extreme cooling surface right above heat source.
- Moderate high flow internal design gives moderate flow restriction which allows lowest possible temperatures in the entire water-cooling system.
- Reduces temperatures up to 50°C or even more at maximum load.
- Much cooler CPU core, allow maximum possible overclocking.
- Much cooler components allow maximum possible overclocking.

Technical data:

- dimensions of copper base: 57 x 57 x 5mm
- dimensions of acetal top: 106,5 x 60 x 12mm
- threads: 2 x G 1/4
- fittings: optional, not enclosed
- neto weight: 150g
- bruto weight: 200g

Packing list:

- 1 x Water block
- Mounting mechanism



Do not forget other EK products for your water cooling system:



blocks



radiators



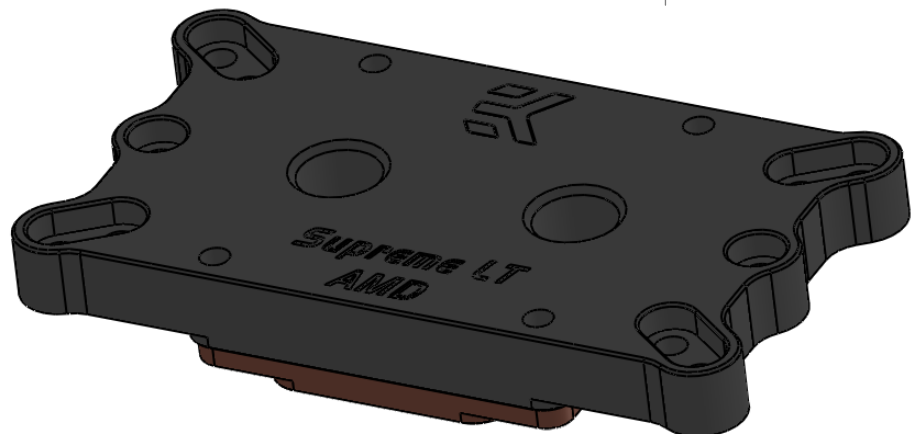
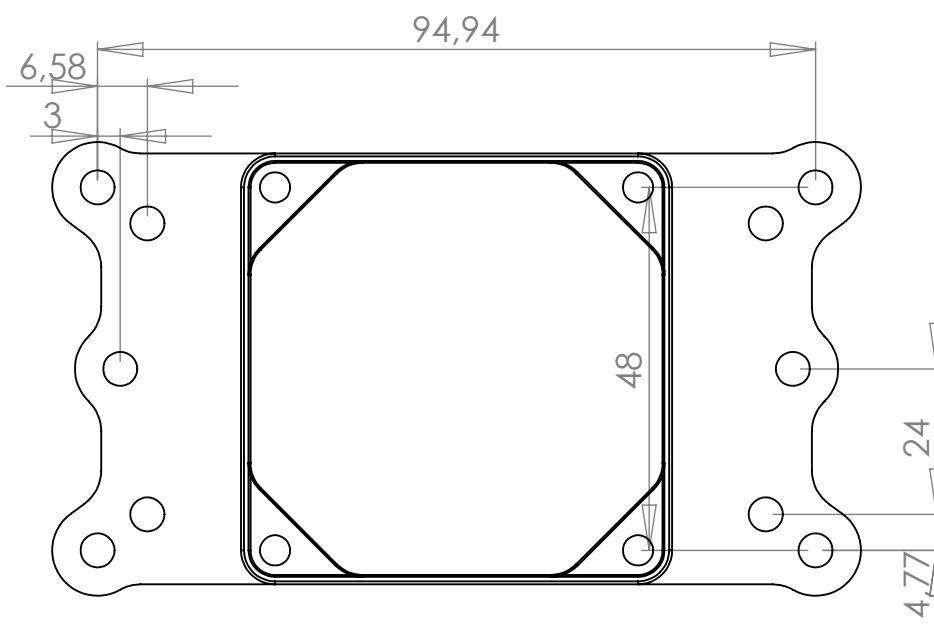
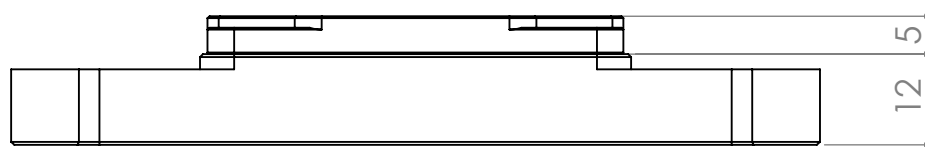
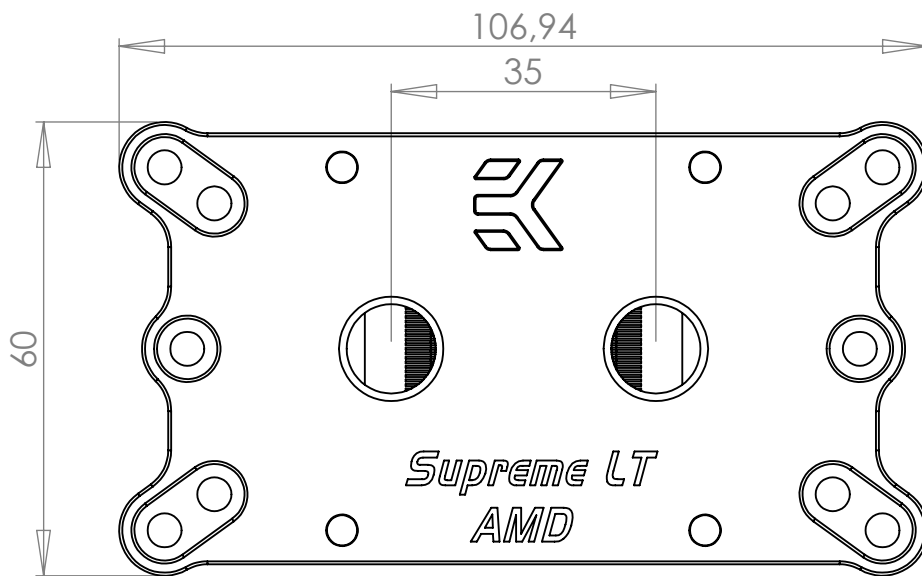
pumps



resevoirs



accessories



IMPORTANT DISCLOSURE: Drawing is copyrighted and property of EKWB d.o.o. company. Drawing is supplied only for easier compatibility recognition by user and can not be used for any other intention.

PRODUCT NAME: **EK-SUPREME LT AMD**

Scale: **1:1**

Sheet format A4

Sheet 1 of 1