

# EK-Quantum Velocity<sup>2</sup> D-RGB - AM5 White Upgrade Kit



Please note the installation of the product is intended to be undertaken by an adequately trained and experienced person. You are installing the product at your own risk. If you are not properly trained or experienced or feel unsure about the installation procedure, please refrain from installing the product yourself and contact our tech support for assistance. We disclaim our liability for any damages to the product as well as incidental, consequential, or indirect damages incurred due to improper or inappropriate installation.

Before you start using this product, please follow these basic guidelines:

**Carefully read the manual before beginning with the installation process.**

**The use of corrosion-inhibiting coolants is always recommended for liquid cooling systems and mandatory for nickel-plated water blocks.**

**Do not use pure distilled water!**

**For best results, EK recommends the use of EK-CryoFuel coolants! To reach optimal performance, make sure to thoroughly bleed the air out of your water block!**

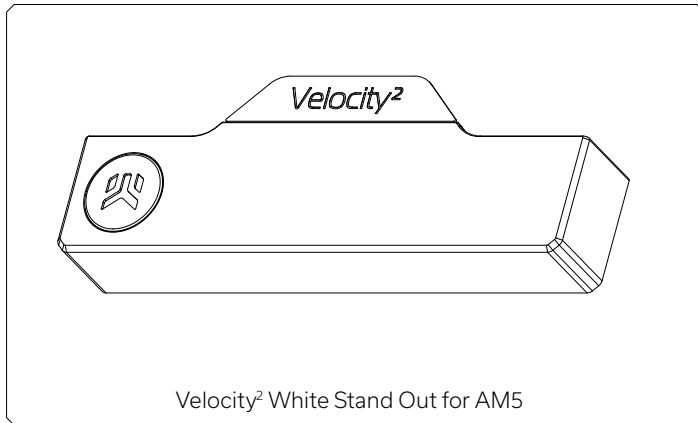
# TABLE OF CONTENTS

COMPATIBILITY.....	4
BOX CONTENTS.....	4
REPLACING THE STAND-OUT.....	5
SUPPORT AND SERVICE.....	7
SOCIAL MEDIA.....	7

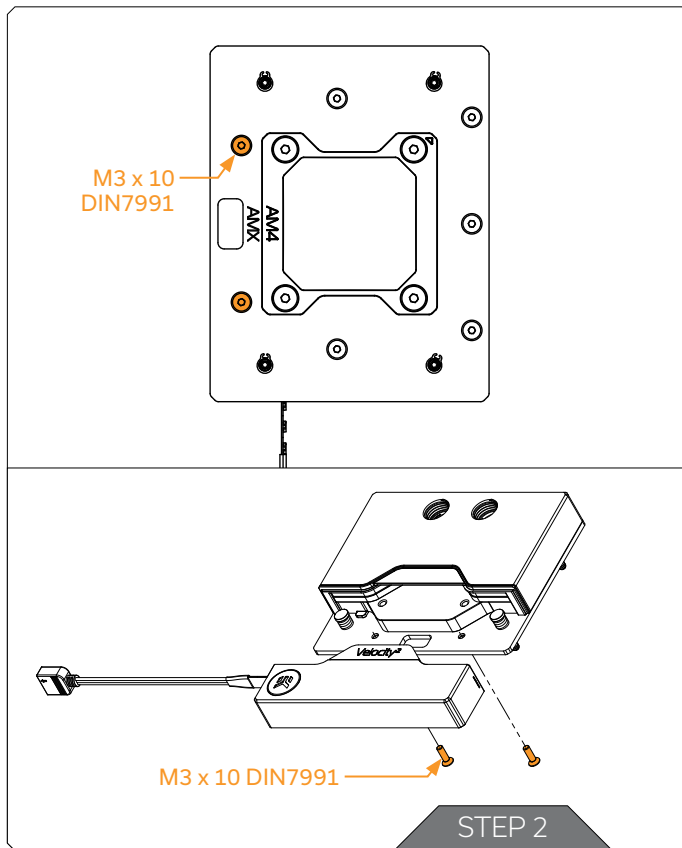
## COMPATIBILITY

- EK-Quantum Velocity<sup>2</sup> D-RGB – AM5 Nickel + Plexi

## BOX CONTENTS



## REPLACING THE STAND-OUT



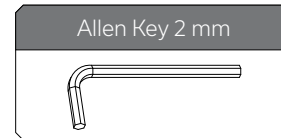
### STEP 1

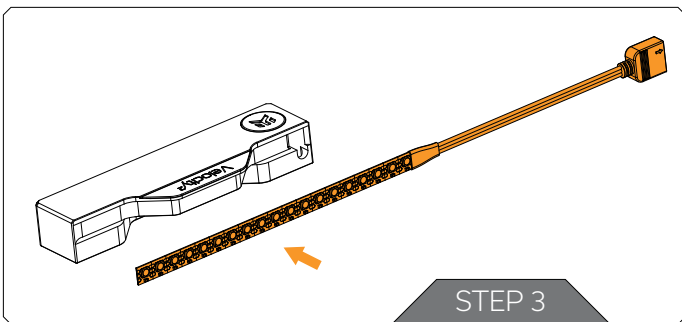
If the CPU water block is already installed, remove it from the motherboard and disconnect the D-RGB LED strip connector.

### STEP 2

To detach Stand-Out, unscrew two (2) M3 x 10 DIN7991 screws using a 2 mm Allen key. Store the removed screws for later use.

For this step, you will need:





### STEP 3

Remove the LED strip with caution, then insert it into the replacement Stand-out in the opposite order that you removed it.

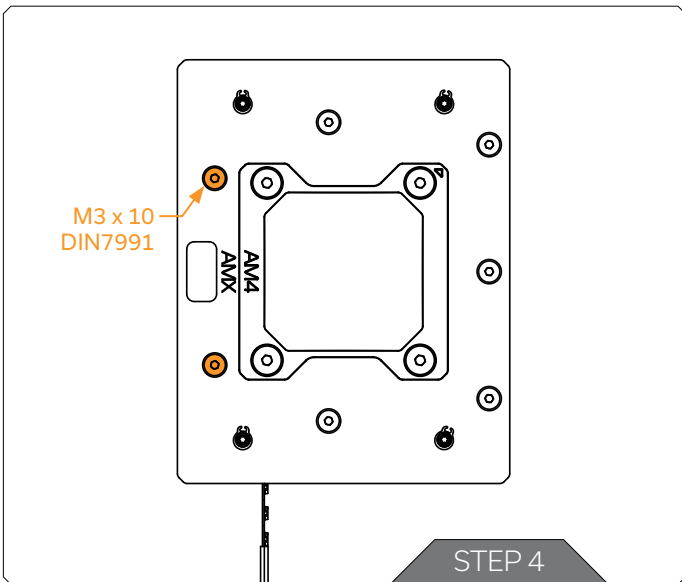
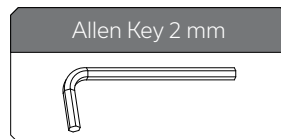
### STEP 4

Place the Stand-out to the water block and screw back two (2) M3 x 10 DIN7991 screws using a 2 mm Allen key.

**Do not use excessive force. Max Torque: 0.6Nm.**

After the installation of the replacement stand-out, it is mandatory to carry out a leak test of the water block.

For this step, you will need:



### STEP 5

Install the CPU water block. Follow the installation instructions for the **EK-Quantum Velocity2 D-RGB-AM5**.

<https://www.ekwb.com/shop/EK-IM/EK-IM-3831109857700.pdf>

## SUPPORT AND SERVICE


In case you need assistance or wish to order spare parts or a new mounting mechanism, please contact:

<https://www.ekwb.com/customer-support/>


## SOCIAL MEDIA

 EKWaterBlocks

 @EKWaterBlocks

 ekwaterblocks

 EKWBofficial

 ekwaterblocks

