

EK-Quantum

Momentum² VRM Bridge ROG Maximus Z690 Formula White Upgrade



Please note the installation of the product is intended to be undertaken by an adequately trained and experienced person. You are installing the product at your own risk. If you are not properly trained or experienced or feel unsure about the installation procedure, please refrain from installing the product yourself and contact our tech support for assistance. We disclaim our liability for any damages to the product as well as incidental, consequential, or indirect damages incurred due to improper or inappropriate installation.

Before you start using this product, please follow these basic guidelines:

Carefully read the manual before beginning with the installation process.

The EK Fittings require only a small amount of force to screw them firmly in place since the liquid seal is ensured by the rubber O-ring gaskets

The use of corrosion-inhibiting coolants is always recommended for liquid cooling systems and mandatory for nickel-plated water blocks

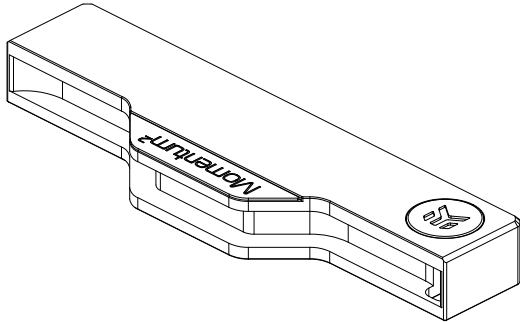
Do not use pure distilled water!

For best results, EK recommends the use of EK-CryoFuel coolants! To reach optimal performance, make sure to thoroughly bleed the air out of your water block!

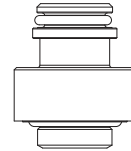
TABLE OF CONTENTS

BOX CONTENTS	4
DIFFERENCE BETWEEN Z690 AND Z790 PUSH-IN ADAPTERS	4
REPLACING THE PUSH-IN ADAPTERS	5
REPLACING THE STANDOUT	6
SUPPORT AND SERVICE	8
SOCIAL MEDIA	8

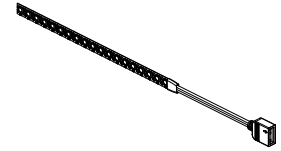
BOX CONTENTS



Replacement standout assembly (1 pc)



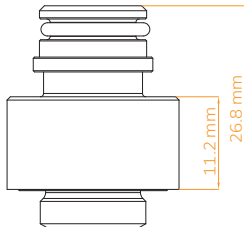
Push-in Adapter (2 pcs)



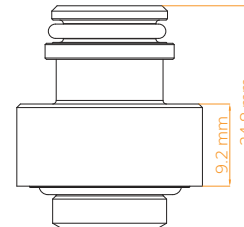
Led strip 130/100 mm (1 pc)

DIFFERENCE BETWEEN Z690 AND Z790 PUSH-IN ADAPTERS

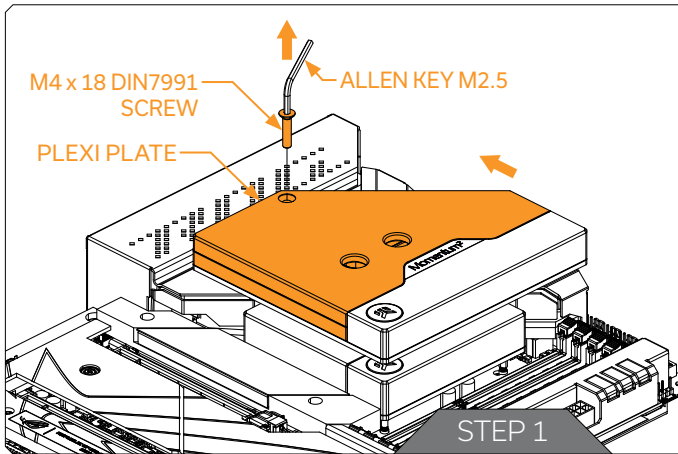
EK-Quantum Torque Push-In Adapter Z690; EAN: 102386



EK-Quantum Torque Push-In Adapter Z790; EAN: 3831109911150



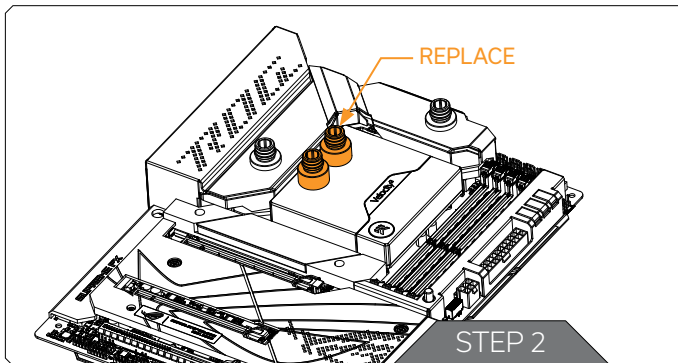
REPLACING THE PUSH-IN ADAPTERS



STEP 1

To replace the Push-in adapters, it is necessary to remove the Monoblock first.

To detach the Monoblock, unscrew one (1) M4 x 18 DIN7991 Screw and slide the Plexi part away from the stand out (approximately 3mm).

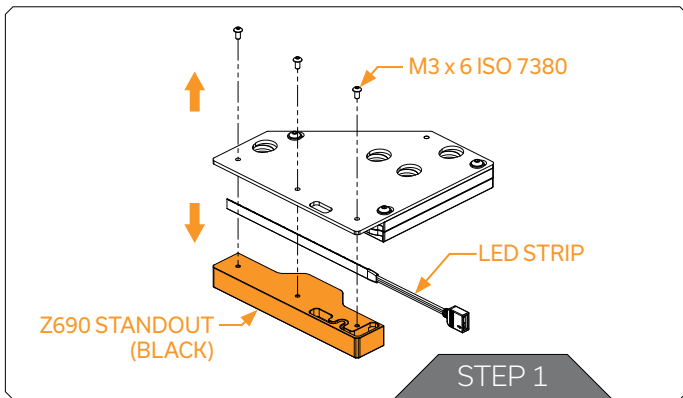


STEP 2

The CPU water block requires replacement of the two (2) currently used Push-in Adapters with spares.

Push-in Adapters on the VRM Bridge must remain the same.

REPLACING THE STANDOUT

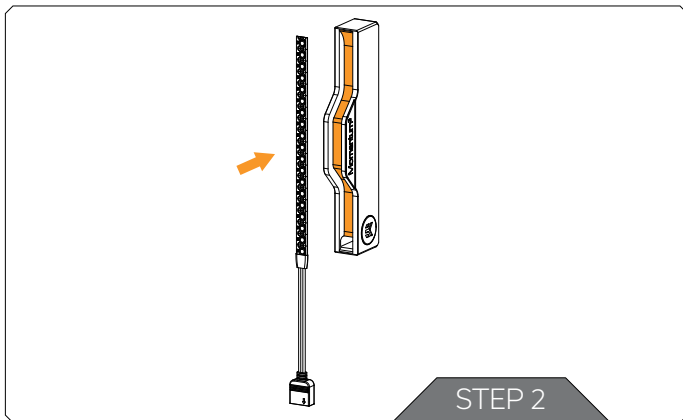
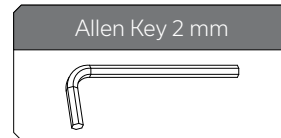


STEP 1

To replace the Z690 Standout, unscrew three (3) M3 x 6 ISO 7380 Screws using provided Allen Key 2mm and detach the standout with LED Strip.

A replacement LED Strip is included in the package in case the original one gets damaged.

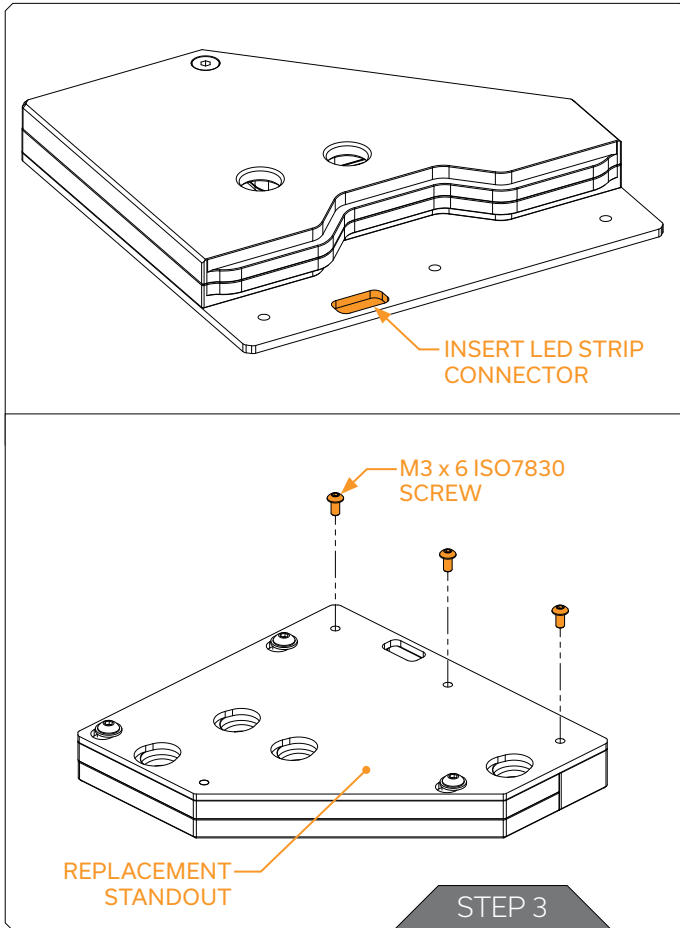
For this step, you will need:



STEP 2

Position the LED strip in the marked spot on the replacement standout.

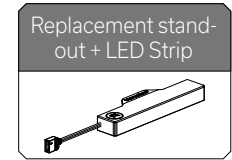
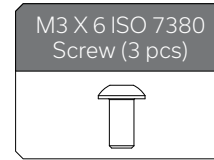
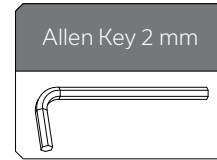
To stick the LED strip, make sure to peel off the protective tape first. The LED strip should be inserted through the slot from the backside of the standout.



STEP 3

Position the replacement stand-out with the LED Strip to the water block. Using Allen Key 2mm and three (3) M3 x 6 ISO7830 Screws secure the stand-out. Do not use excessive force!

For this Step, you will need:



SUPPORT AND SERVICE


In case you need assistance or wish to order spare parts or a new mounting mechanism, please contact:

<https://www.ekwb.com/customer-support/>


SOCIAL MEDIA

 EKWaterBlocks

 @EKWaterBlocks

 ekwaterblocks

 EKWBofficial

 ekwaterblocks

