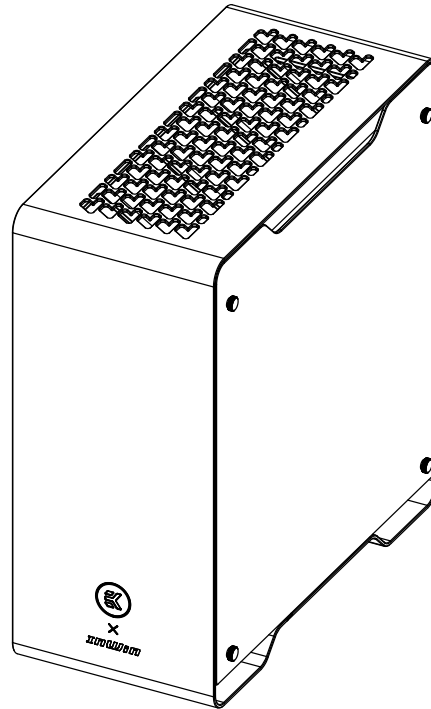


EK-Quantum InWin 977EK



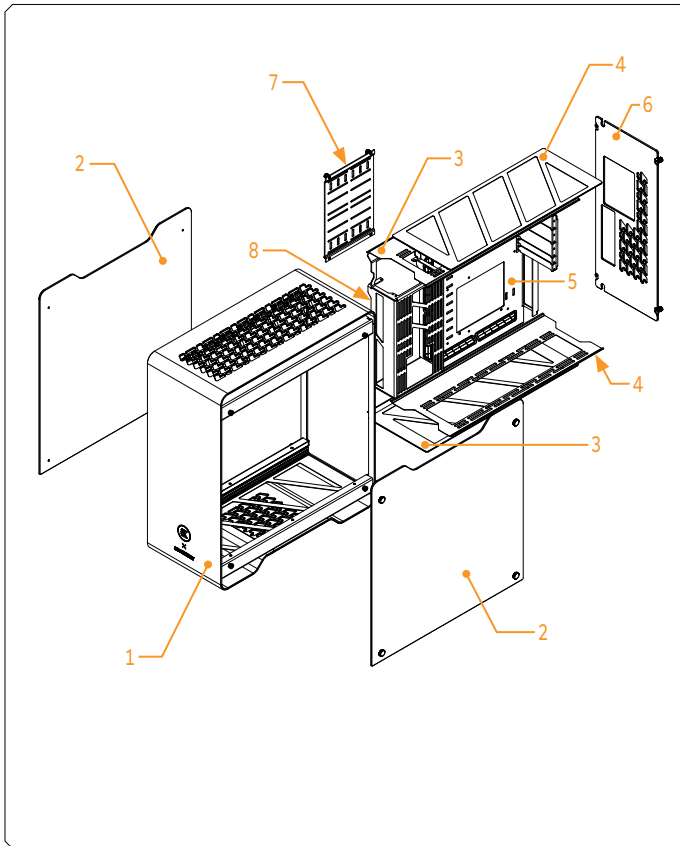
Before you start using this product, please follow these basic guidelines:

Carefully read the manual before beginning with the installation process.

TABLE OF CONTENTS

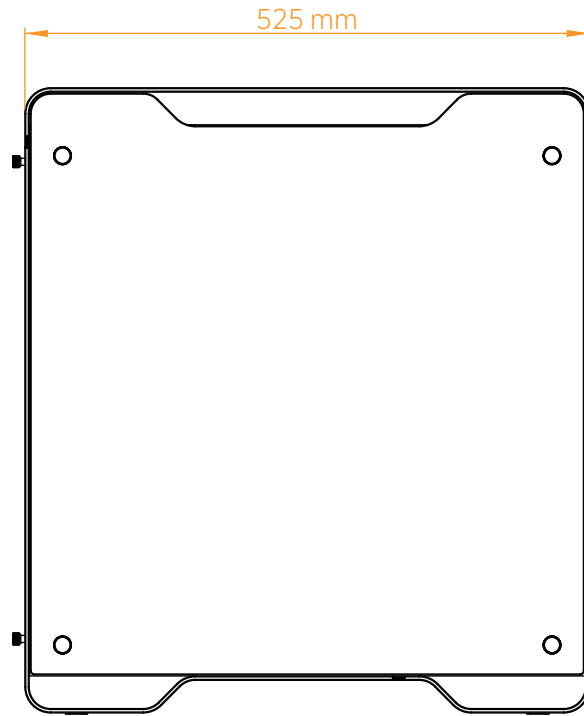
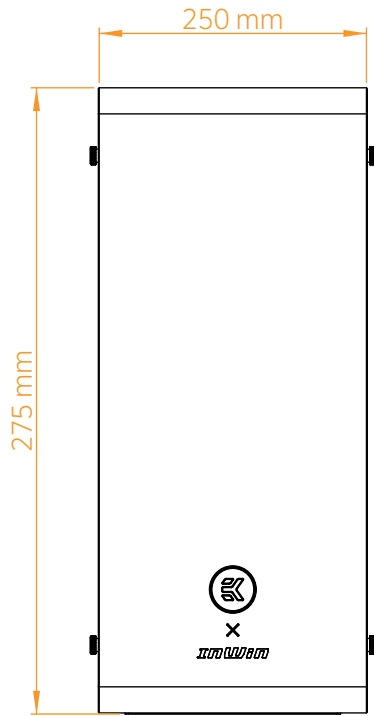
MAIN PARTS – EXPLODED VIEW	4
DIMENSIONS	5
MODELS	6
TECHNICAL SPECIFICATIONS	6
UNPACKING THE BOX	6
BUTTONS	6
TEMPERED GLASS SIDE PANELS REMOVAL	7
REAR COVER REMOVAL	7
MOTHERBOARD TRAY AND PSU BRACKET REMOVAL	8
DUST FILTERS AND RADIATOR BRACKET REMOVAL	8
MOTHERBOARD INSTALLATION	8
POWER SUPPLY INSTALLATION	8
GPU INSTALLATION	9
HDD and SSD INSTALLATION	9
RADIATORS SUPPORT	10
CONFIGURATIONS	11
Default setup	11
Reverse ATX setup	12
SUPPORT AND SERVICE	13
SOCIAL MEDIA	13

MAIN PARTS – EXPLODED VIEW



Position	Part Name
1	Front panel with Capacitive On/Off Button
2	Tempered Glass Panel
3	Dust Filter
4	Radiator Bracket
5	Motherboard Tray
6	Rear Cover
7	Drive Mount
8	PSU Bracket

DIMENSIONS



MODELS

EK-Quantum InWin 977EK – Silver
EK-Quantum InWin 977EK – Black

TECHNICAL SPECIFICATIONS

- Dimensions (W x D x H): 525 x 250 x 575mm
- Color: Black or Silver
- Tinted Tempered Glass Panels: Yes
- Power Supply Compatibility: ATX up to 285mm
- Motherboard Compatibility: E-ATX, ATX, Micro-ATX, Mini-ITX
- Maximum GPU Length: 330mm
- Maximum GPU Width: 190mm (184mm to be removable via rails through the back)
- Storage Drive Maximum Thickness: 26.4mm

Maximum Fan and Radiator Compatibility:

- 2x EK-Quantum Surface P420M or P420M X-Flow radiators, including one set of fans for each radiator

UNPACKING THE BOX

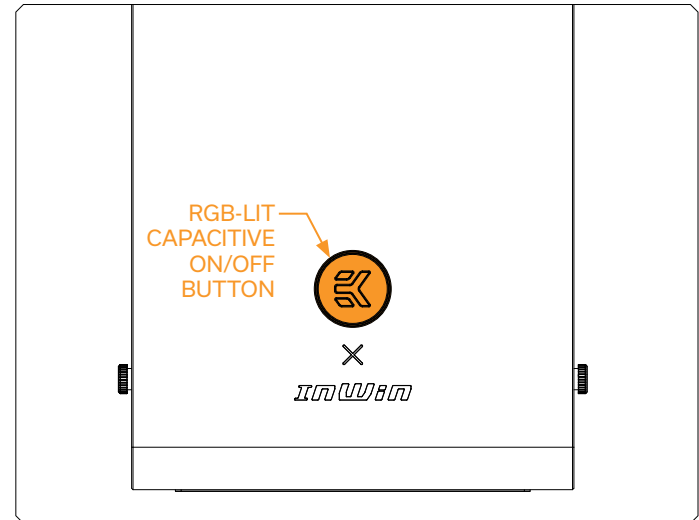
Carefully open the box. Remove the case from the box and carefully lift it on the flat surface. Be aware that box content is heavy and is meant to be manipulated by two (2) persons. All the additional stickers, foam, and packaging materials must be removed.

Visually inspect the components before further steps. If you notice any errors, please contact the customer support:
<http://support.ekwb.com>



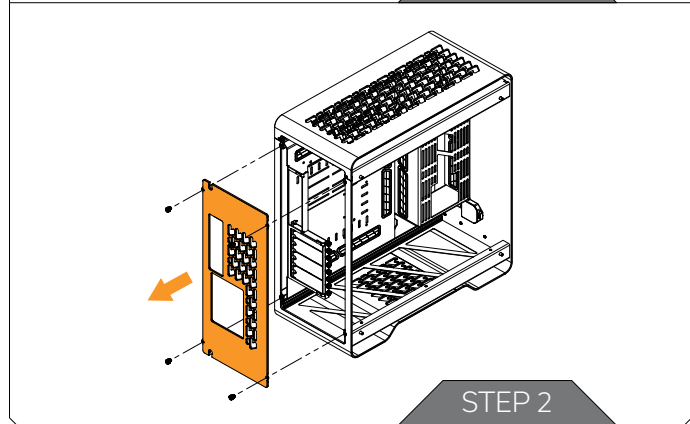
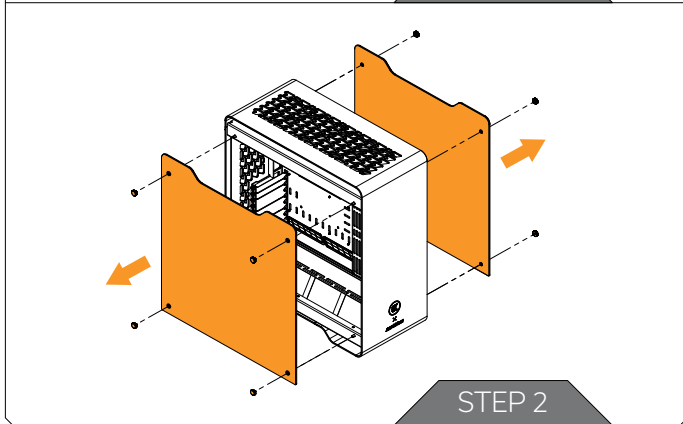
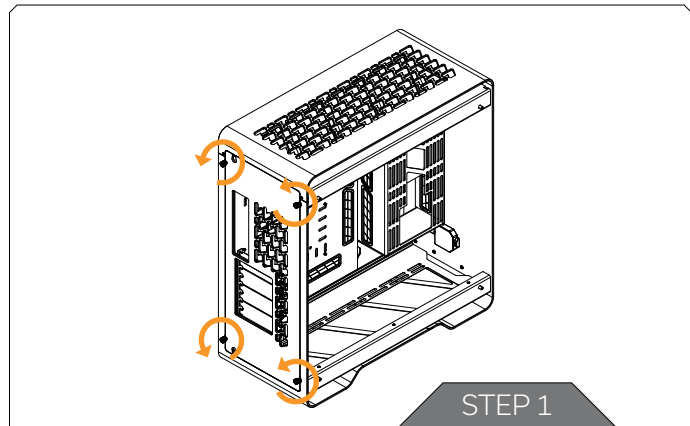
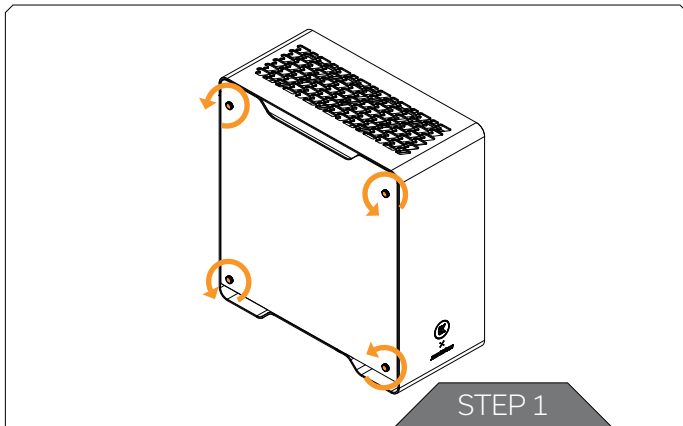
The packing materials can be recycled. Please dispose of packaging in accordance with the environmental regulations.

BUTTONS

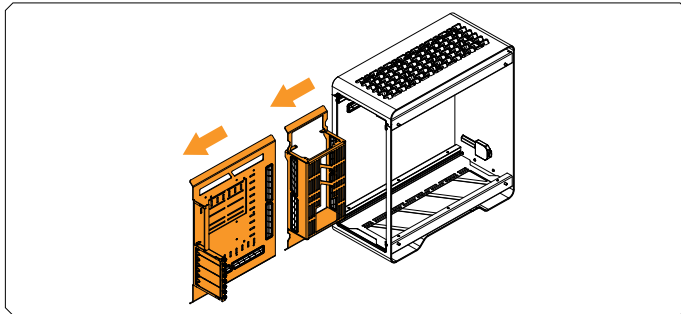


TEMPERED GLASS SIDE PANELS REMOVAL

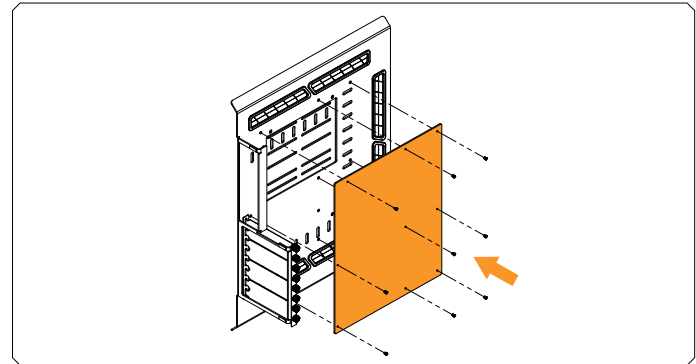
REAR COVER REMOVAL



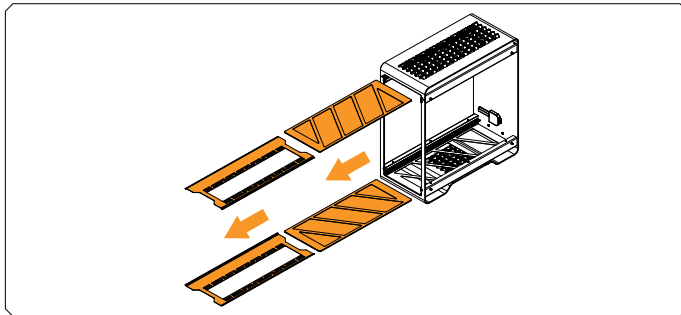
MOTHERBOARD TRAY AND PSU BRACKET REMOVAL



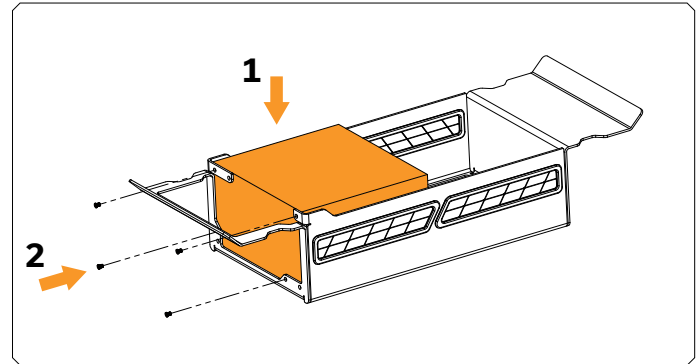
MOTHERBOARD INSTALLATION



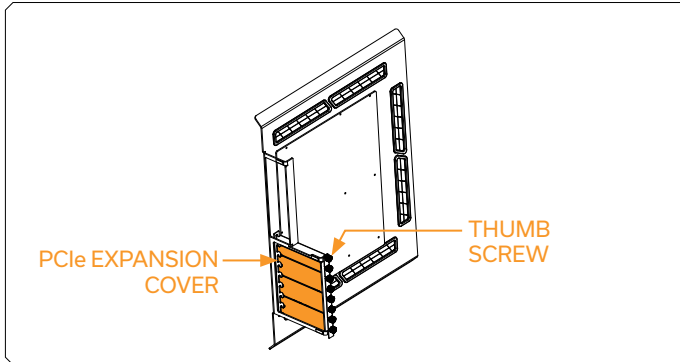
DUST FILTERS AND RADIATOR BRACKET REMOVAL



POWER SUPPLY INSTALLATION



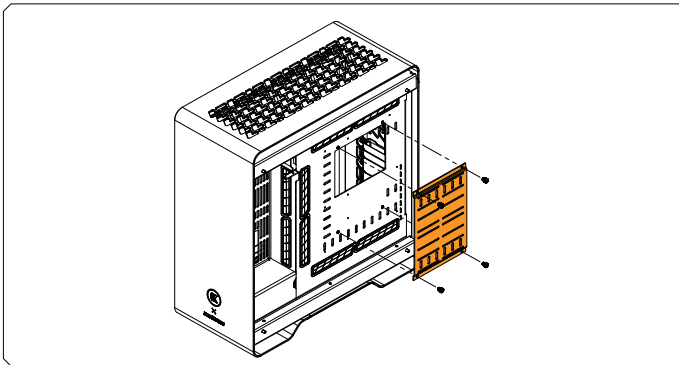
GPU INSTALLATION



To remove the PCIe expansion cover, unscrew the thumb screw and insert the GPU into the motherboard.

If you are using the EK-Loop Vertical GPU Holder EVO, please follow the instructions provided at the following URL:
<https://www.ekwb.com/shop/EK-IM/EK-IM-3831109892077.pdf>

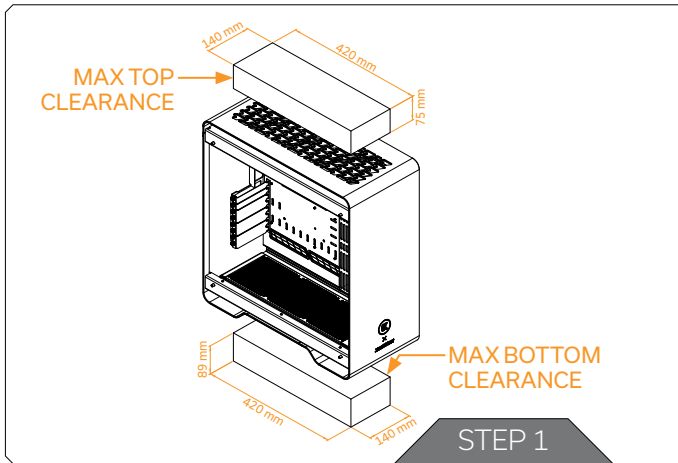
HDD and SSD INSTALLATION



Remove the hard drive mount located on the back side of the motherboard to install 2.5" and 3.5" drives.

The maximum thickness of the drives must not exceed 26 mm.

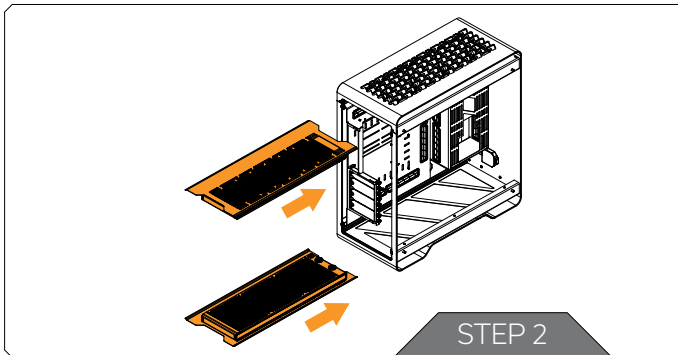
RADIATORS SUPPORT



STEP 1

The top side has a clearance of 75mm until hitting the motherboard tray, while the bottom has 89mm. This means there is room for a 58mm thick X series Surface radiator and 29mm fans in the bottom.

EK recommends the maximum thickness of radiators to be 45mm, which translates to a P series 420mm radiator as the recommended maximum.

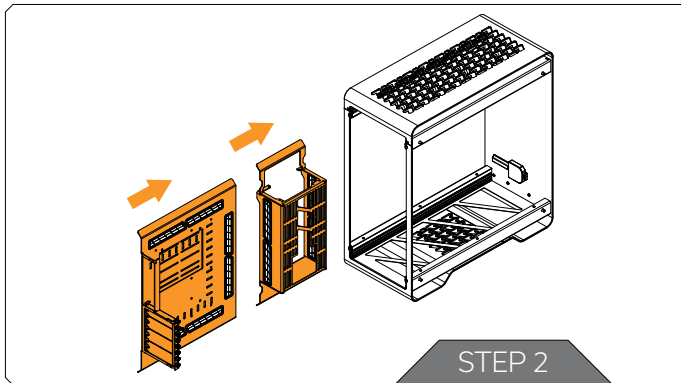
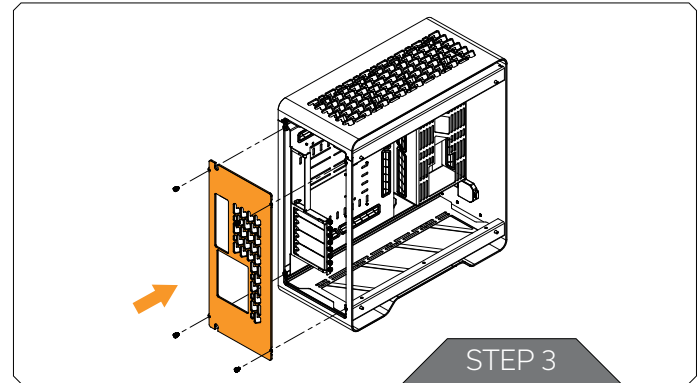
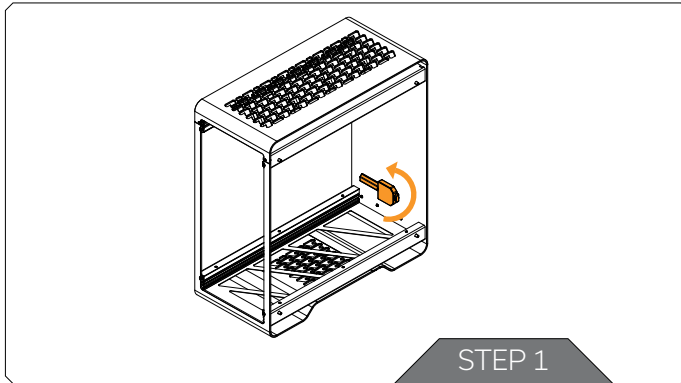


STEP 2

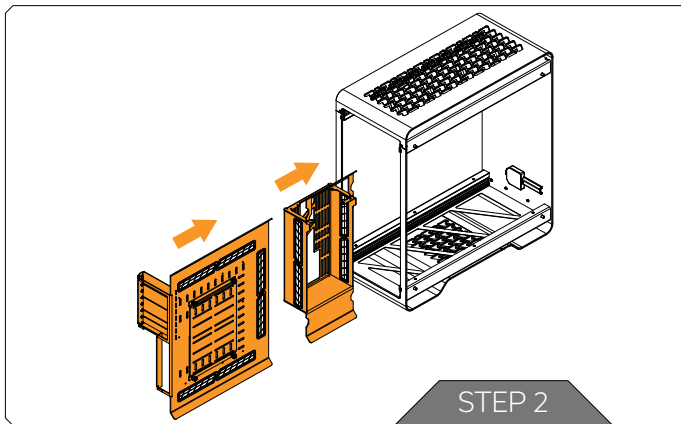
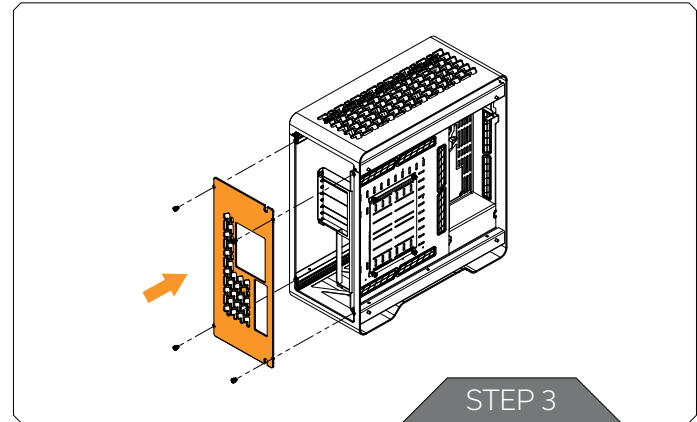
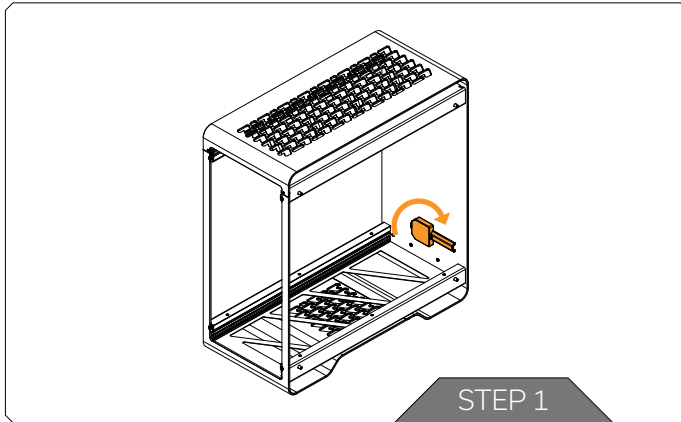
The mounting slots on the radiator mounting frames are centered so you can swap between 120 and 140mm type radiators, and the ports will still be positioned the same.

CONFIGURATIONS

Default setup



Reverse ATX setup



SUPPORT AND SERVICE


In case you need assistance or wish to order spare parts or a new mounting mechanism, please contact:

<https://www.ekwb.com/customer-support/>

EKWB d.o.o.
Pod lipami 18
1218 Komenda
Slovenia - EU

SOCIAL MEDIA

 EKWaterBlocks

 @EKWaterBlocks

 ekwaterblocks

 EKWBofficial

 ekwaterblocks

