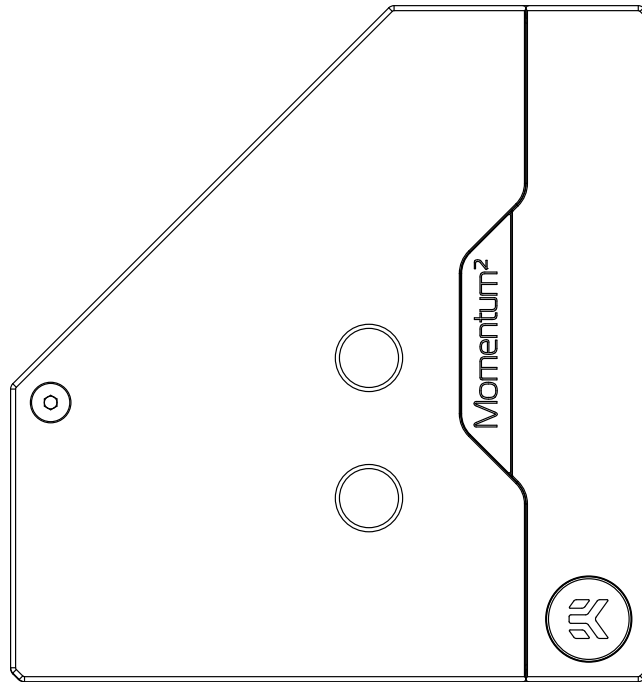


EK-Quantum Momentum² VRM Bridge ROG Maximus Z790 Formula D-RGB - White

MONOBLOCK



This product is intended for installation only by expert users. Please consult with a qualified technician for installation. Improper installation may result in damage to your equipment. EK Water Blocks assumes no liability whatsoever, expressed or implied, for the use of these products, nor their installation. The following instructions are subject to change without notice. Please visit our website at www.ekwb.com for updates. Before installation of this product please read the important notice, disclosure, and warranty conditions printed on the back of the box.

Before you start using this product, please follow these basic guidelines:

Please carefully read the manual before beginning the installation process!

The EK Fittings require only a small amount of force to screw them firmly in place since the liquid seal is ensured by the rubber O-ring gaskets.

The use of corrosion inhibiting coolants is always recommended for liquid cooling systems and mandatory for nickel-plated water blocks!

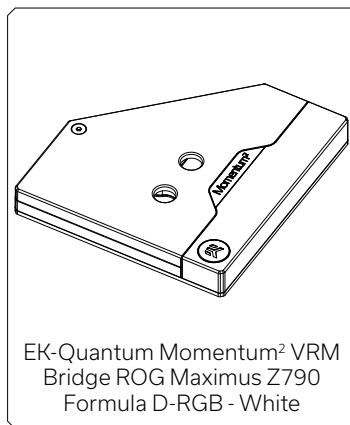
Do not use pure distilled water! For best results, EK recommends the use of EK-CryoFuel coolants!

Make sure to thoroughly bleed air out of your water block, or you will not achieve optimal performance!

TABLE OF CONTENTS

BOX CONTENTS	4
DIFFERENCE BETWEEN Z690 AND Z790 PUSH-IN ADAPTERS	4
WATER BLOCK DIMENSIONS	5
WATER BLOCK SPECIFICATIONS AND MAIN PARTS	6
INSTALLING AND ATTACHING THE WATER BLOCK - Z790 MOTHERBOARD	7
SUPPORT AND SERVICE	11
SOCIAL MEDIA	11

BOX CONTENTS

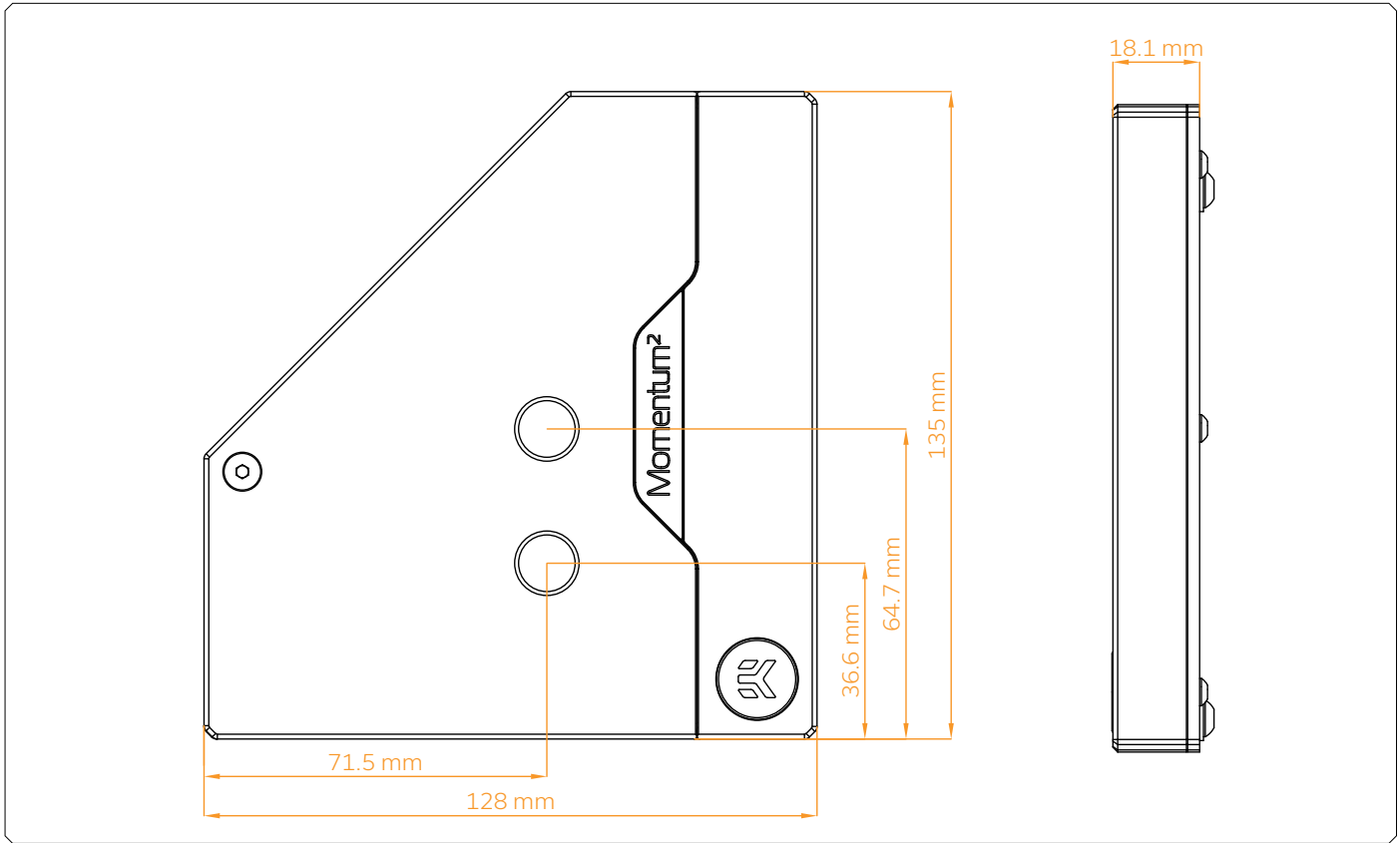


			Mounting Mechanism
<p>Extender M12F (2 pcs) EAN: 102386</p>	<p>Z790 Push-in Adapter (2 PCS) EAN: 3831109911150</p>	<p>EK-Loop Multi Allen Key (1 pc)</p>	
<p>Allen Key 2.5 mm (1 pc)</p>	<p>Grease (1 pc)</p>	<p>Z690 Push-in Adapter (2 pcs) EAN: 3831109895863</p>	

DIFFERENCE BETWEEN Z690 AND Z790 PUSH-IN ADAPTERS

Z690 Push-In Adapter; EAN: 3831109895863	Z790 Push-In Adapter; EAN: 3831109911150

WATER BLOCK DIMENSIONS

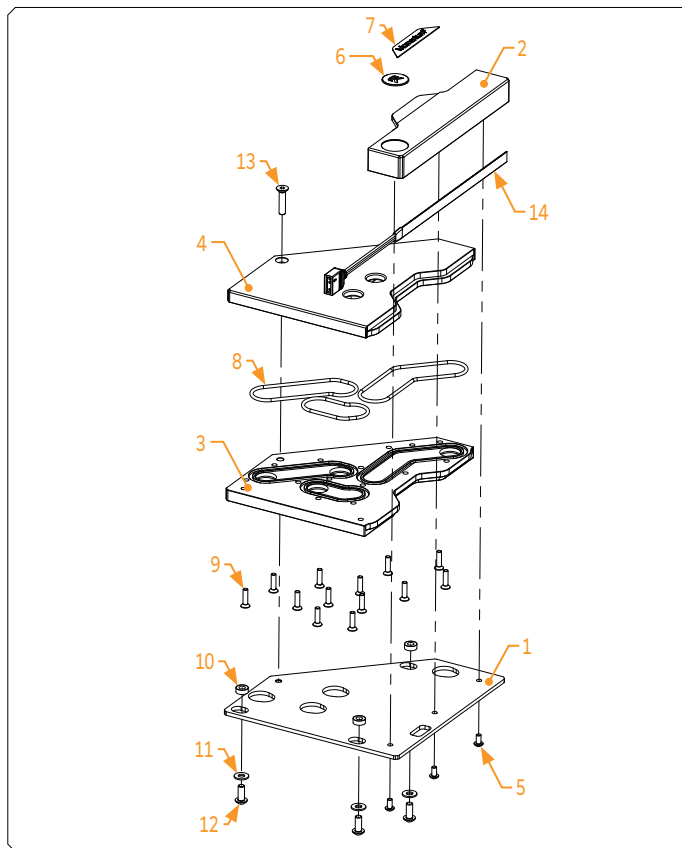


WATER BLOCK SPECIFICATIONS AND MAIN PARTS

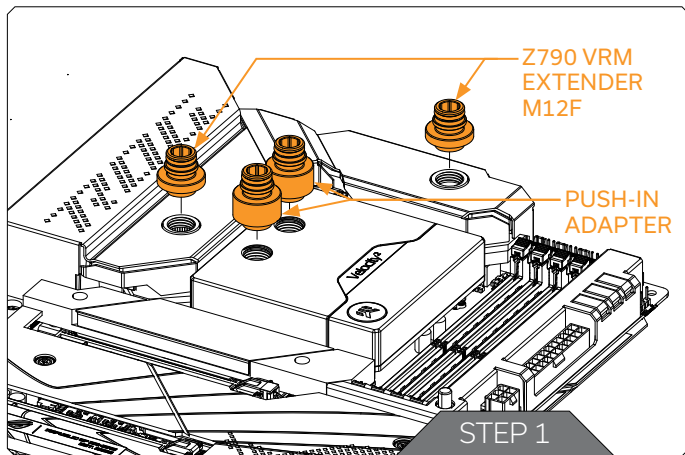
Technical Specification:

- Dimensions: (LxHxW) - 128 x 135 x 18.1mm
- D-RGB cable length: 500mm
- D-RGB LED count: 19
- D-RGB connector standard 3-pin (+5V, Data, Blocked, Ground)

Position	EAN	Description	Quantity
1	105115	Metal plate	1
2	107197	Acetal Standout (White)	1
3	105118	Bottom plate (Plexi)	1
4	105117	Top plate (Plexi)	1
5	100947	Screw M3x6 ISO 7380	3
6	100663	EK - Badge	1
7	107196	Mylar sticker (White)	1
8	105166	O-Ring set	1
9	104353	Screw M3x12 7991DIN	13
10	105120	Acetal Standoff	3
11	8603	Metal washer M4	3
12	8011	Screw M4x10 ISO 7380	3
13	104988	Screw M4x18 7991DIN	1
14	103155	LED D-RGB Dense Strip - 500/130mm	1



INSTALLING AND ATTACHING THE WATER BLOCK - Z790 MOTHERBOARD



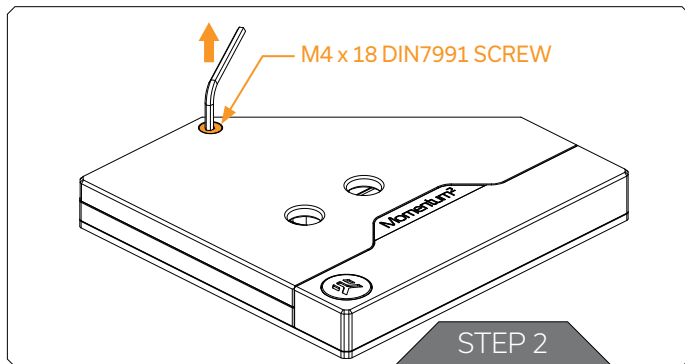
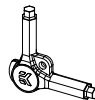
STEP 1

Install your EK-Quantum Velocity² 1700 water block in the illustrated orientation and place the motherboard on a secure flat surface. Using the enclosed EK-Loop Multi Key, install two (2) Extenders M12F and two (2) torque push-in fixation fittings to the pre-installed VRM block and CPU block (as shown in the image).

Do not use excessive force while tightening the fittings.

For this step, you will need:

EK-Loop Multi Allen Key



STEP 2

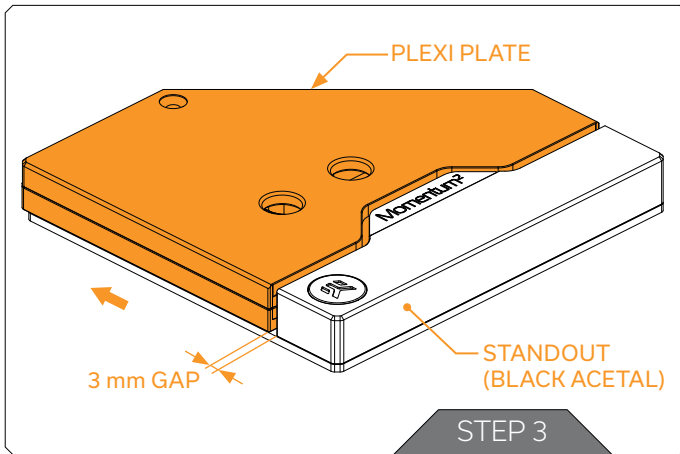
Unscrew the one (1) M4 x 18 DIN7991 screw using the enclosed 2.5mm Allen key and remove it from the block.

Save the screw for later step.

For this step, you will need:

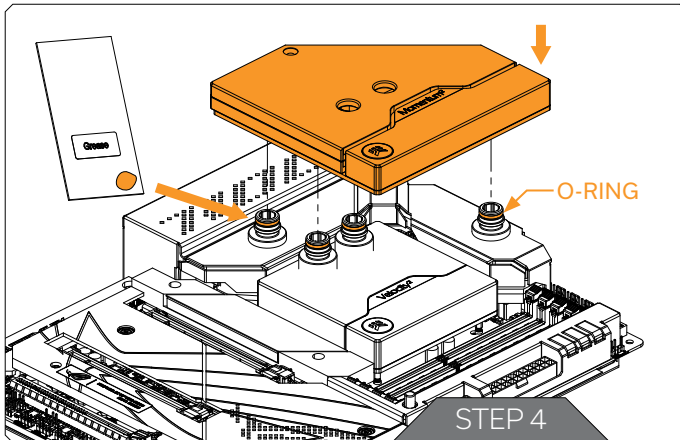
Allen Key 2.5mm





STEP 3

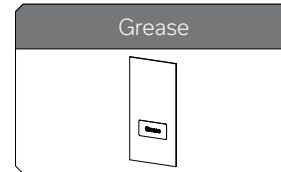
Slide the Plexi away from the black acetal stand-out with stainless steel fixation plate until it stops (approximately at 3 mm)

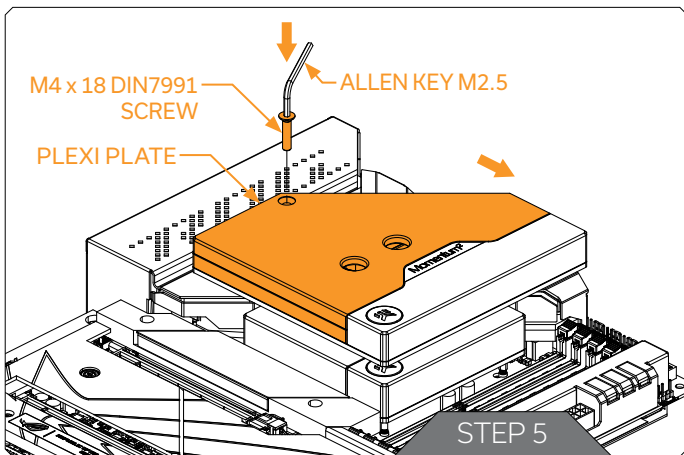


STEP 4

Before attempting to mount the water block, apply a small amount of the supplied grease to each of the four (4) O-Rings on the fixation fittings. Next, position the water block over the fixation fittings and force it into place evenly.

For this step, you will need:





STEP 5

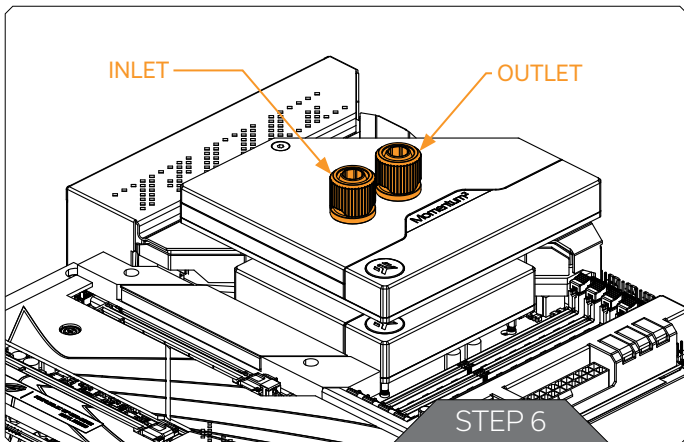
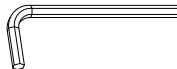
Push the plexi plate back to its original position and screw back the one (1) M4 x 18 DIN7991 screw that was removed in Step 2.



Do not use excessive force while tightening the screw!

For this step, you will need:

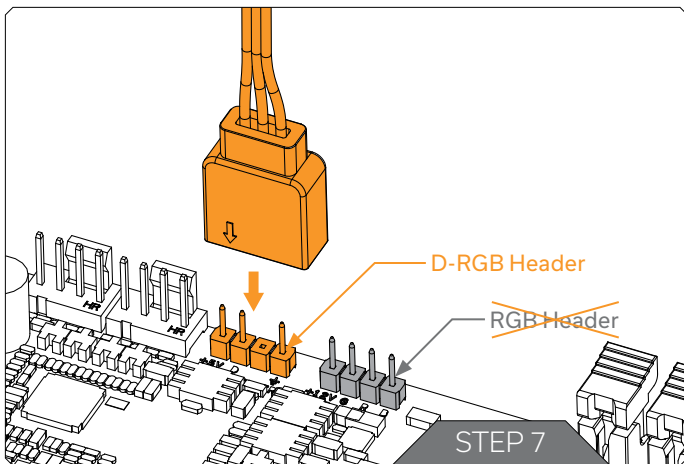
Allen Key 2.5mm



STEP 6

With the **EK-Quantum Momentum² VRM Bridge ROG Maximus Z790 Formula D-RGB - White water block**, it is mandatory to use the bottom port as the INLET. Mixing the ports may result in poor thermal performance of the water block.

Tighten the fittings in a clockwise direction until the gasket underneath is compressed. The installation of the water block is now complete.



STEP 7

Plug the 3-pin D-RGB connector from the bridge block in a D-RGB header on your motherboard or controller. The LED strip will only work if the pin layout on the header is as follows: +5V, Digital, Empty, Ground.



Incorrect installation or installation of the incorrect header could result in damage to the LED strip or the header itself.

SUPPORT AND SERVICE

In case you need assistance or wish to order spare parts or a new mounting mechanism, please contact:

<https://www.ekwb.com/customer-support/>

For spare parts orders, refer to the page with "TECHNICAL SPECIFICATIONS AND WATER BLOCK PARTS" where you can find the EAN number of each part you might need.

Include the EAN number with quantity in your request. Mounting Mechanism EAN can be found under "BOX CONTENTS"


SOCIAL MEDIA

 EKWaterBlocks

 @EKWaterBlocks

 ekwaterblocks

 EKWBofficial

 ekwaterblocks

