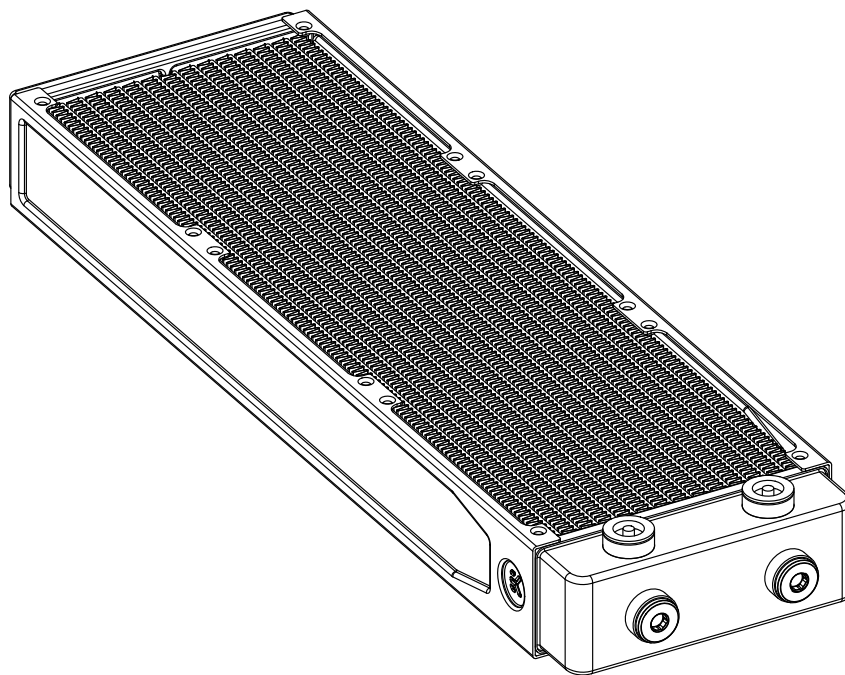


EK-Pro Radiator

RADIATOR



Please note the installation of the product is intended to be undertaken by an adequately trained and experienced person. You are installing the product at your own risk. If you are not properly trained or experienced or feel unsure about the installation procedure, please refrain from installing the product yourself and contact our tech support for assistance. We disclaim our liability for any damages to the product and incidental, consequential, or indirect damages incurred due to improper or inappropriate installation.

Before you start using this product, please follow these basic guidelines:

Carefully read the manual before beginning with the installation process.

EK Fittings require only a small amount of force to screw them firmly in place since the liquid seal is ensured with the rubber O-ring gaskets.

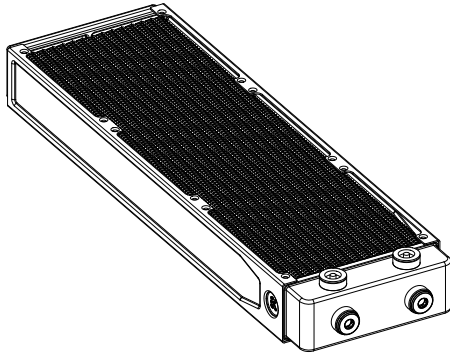
The use of quality market-proven corrosion-inhibiting coolants is always strongly recommended for any liquid cooling system.

Do not use pure distilled water as a cooling liquid! For best results, EK recommends the use of EK-CryoFuel Coolants.

TABLE OF CONTENTS

BOX CONTENTS	4
RADIATOR DIMENSIONS	5
P360 MULTIPORT.....	5
P480 MULTIPORT.....	6
EK-PRO RADIATOR	7
INSTALLING THE FANS ON RADIATOR	8
INSTALLING THE RADIATOR INTO THE PC CHASSIS	9
SUPPORT AND SERVICE	10
SOCIAL MEDIA	10

BOX CONTENTS



EK-PRO Radiator

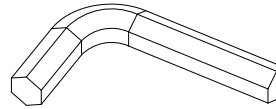
The quantity of mounting screws may differ based on the specific configuration.



Philips head screws M4 x 30 mm



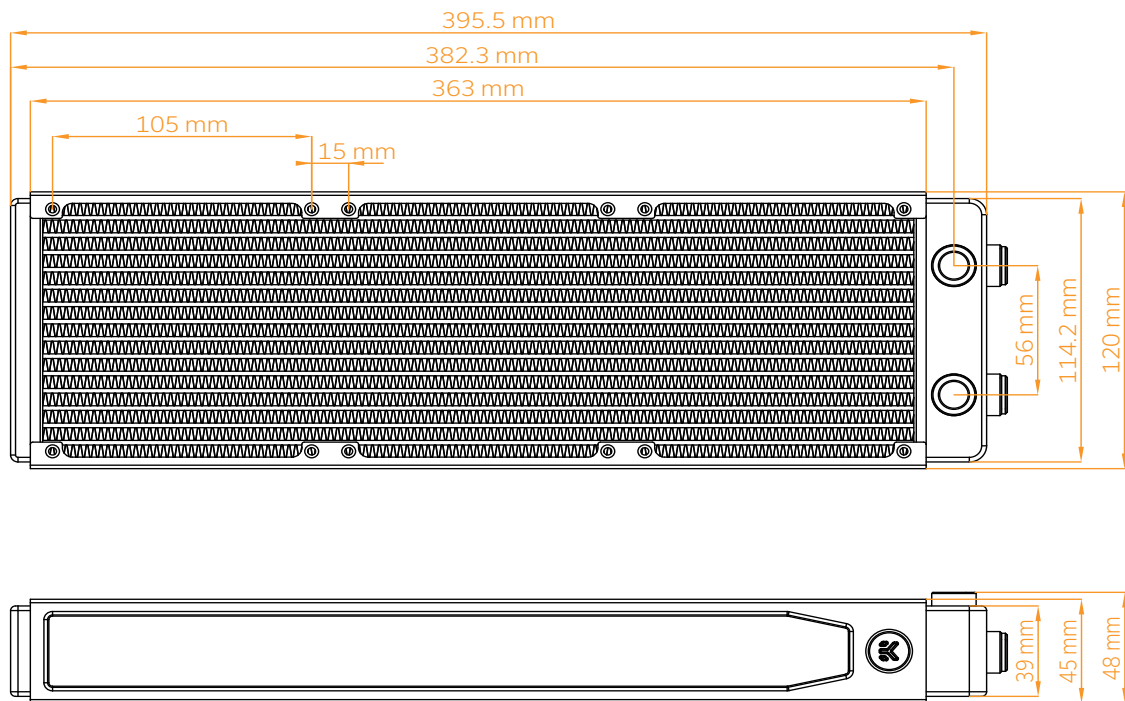
Philips head screws M4 x 6 mm



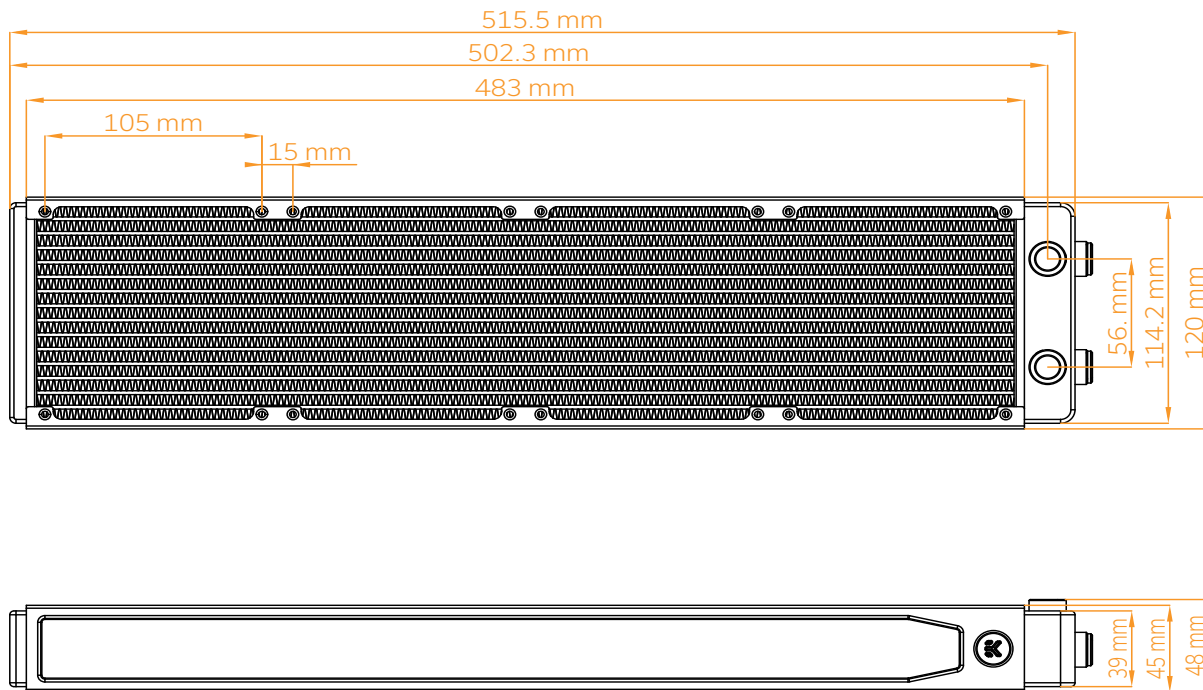
Allen Key 6 mm

RADIATOR DIMENSIONS

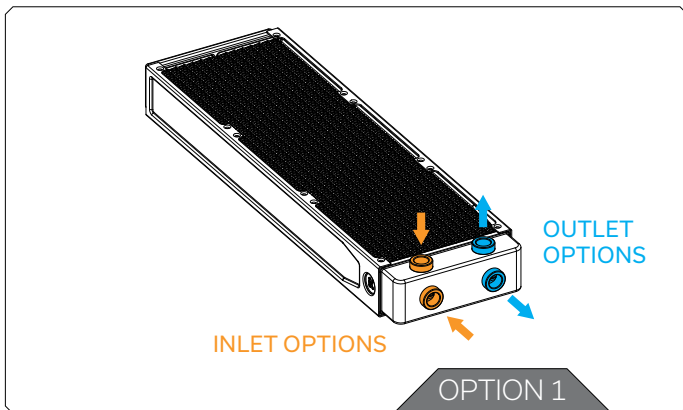
P360 MULTIPORT



P480 MULTIPOST



EK-PRO RADIATOR



EK-PRO Radiators have a classical U-shape coolant flow, with an inlet and outlet both on one side of the radiator. However, you can still choose which port of the radiator will serve as an inlet, and which for the outlet in your custom loop.



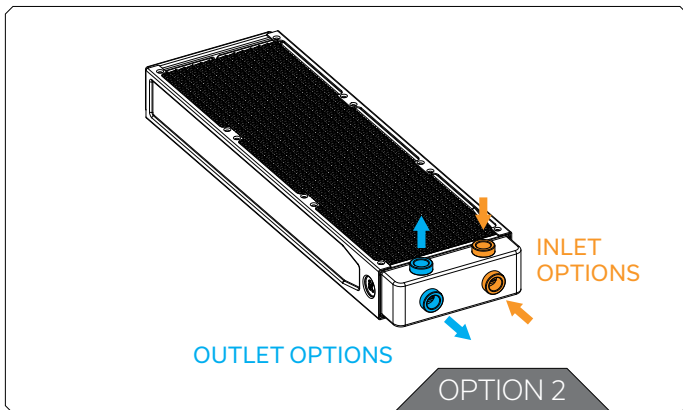
EK recommends using the same number of inlets and outlets for the most optimal performance!



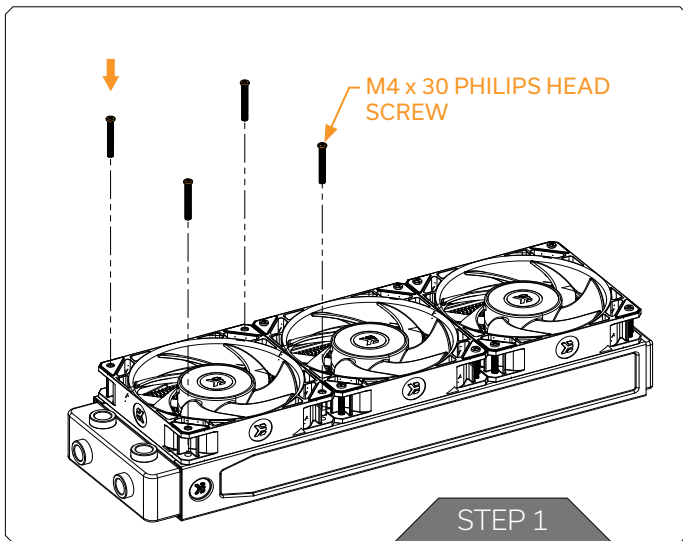
The same port setup applies for all EK-Pro radiator variants!



EK PRO Radiators allow the installation of a temperature sensor.



INSTALLING THE FANS ON RADIATOR



STEP 1

When installing the fans, secure the Fan-s on the radiator using provided M4 x 30 Philips head screws.



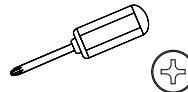
Other forms of installation are also possible. In this step, we describe only the most basic.



EK-PRO radiator is compatible with 120mm fans that have a standard 25mm thickness.

For this step, you will need:

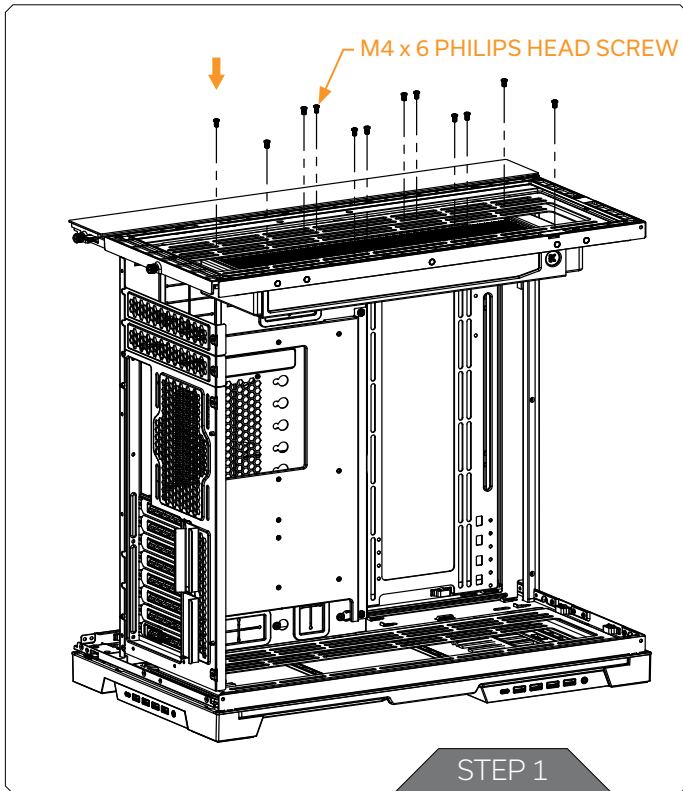
Phillips Head Screwdriver



Phillips head screws M4 x 30 mm



INSTALLING THE RADIATOR INTO THE PC CHASSIS



STEP 1

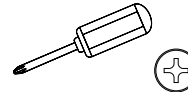
The radiator can be installed into the PC Chassis directly using the provided M4 x 6 Phillips head screws.



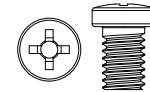
Other forms of installation are also possible. In this step, we describe only the most basic

For this step, you will need:

Phillips Head Screwdriver



Phillips head screws M4 x 6 mm




SUPPORT AND SERVICE


In case you need assistance, please contact:
<https://www.ekwb.com/customer-support/>

EKWB d.o.o.
Pod lipami 18
1218 Komenda
Slovenia - EU

SOCIAL MEDIA

 EKWaterBlocks

 @EKWaterBlocks

 ekwaterblocks

 EKWBofficial

 ekwaterblocks

