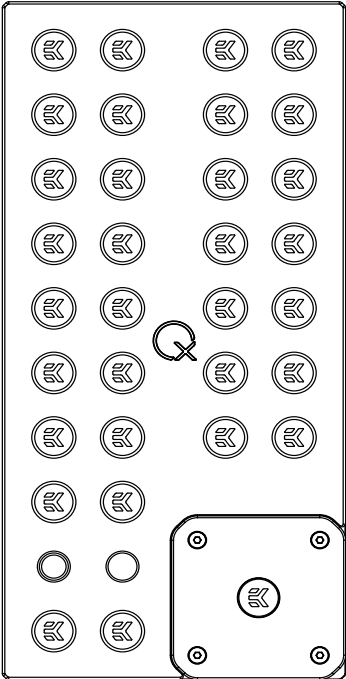


EK-QuantumX Loophole Distroplate D5 PWM

DISTRIBUTION PLATE



Please note the installation of the product is intended to be undertaken by an adequately trained and experienced person. You are installing the product at your own risk. If you are not properly trained or experienced or feel unsure about the installation procedure, please refrain from installing the product yourself and contact our tech support for assistance. We disclaim our liability for any damages to the product and incidental, consequential, or indirect damages incurred due to improper or inappropriate installation.

Before you start using this product please follow these basic guidelines:

Please carefully read the manual before beginning the installation process!

The EK Fittings require only a small amount of force to screw them firmly in place since the liquid seal is ensured by the rubber O-ring gaskets.

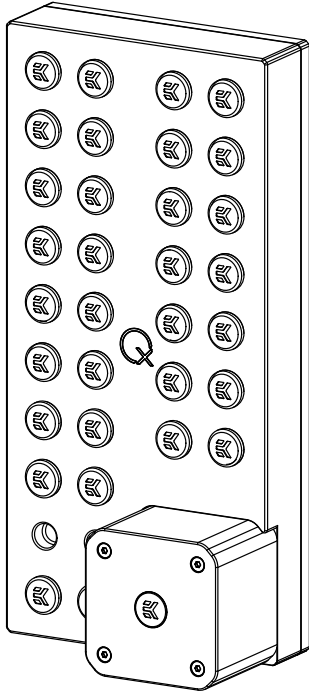
The use of corrosion-inhibiting coolants is always recommended for any liquid cooling system. EKWB recommends any of the EK Cryofuel for worry-free usage.

The warranty period is 24 months.

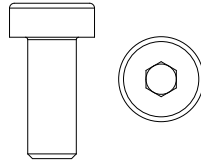
TABLE OF CONTENT

BOX CONTENTS	4
DISTRIBUTION PLATE DIMENSIONS	5
TECHNICAL SPECIFICATIONS AND PRODUCT PARTS	6
PREPARING THE DISTRIBUTION PLATE	8
INSTALLING THE FITTINGS AND TUBING	8
EXAMPLE OF A COOLING ROUTING	9
ATTACHING THE DISTRIBUTION PLATE	10
CONNECTING THE PUMP	11
TESTING THE LOOP	11
SUPPORT AND SERVICE	12
SOCIAL MEDIA	12

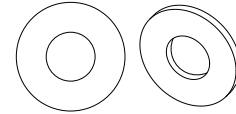
BOX CONTENTS



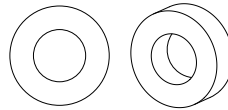
EK-QuantumX
Loophole Distroplate D5 PWM



M4 x 10 DIN7984 Screw (8 pcs)



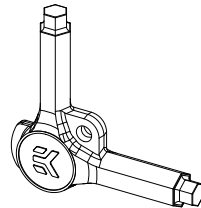
Metal washer (8 pcs)



Standoff $\text{Ø}7.8/4 \times 2.0$ (8 pcs)



Allen Key 2.5 mm (1 pc)

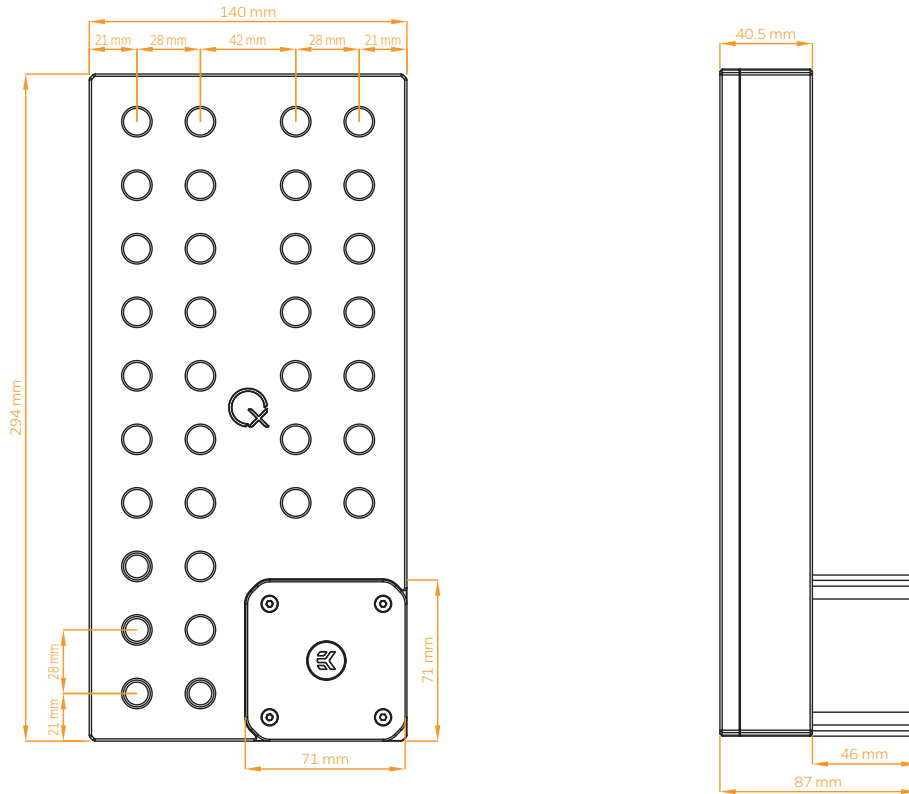


EK-Loop Multi Allen Key (1 pc)



Torx Key (1 pc)

DISTRIBUTION PLATE DIMENSIONS



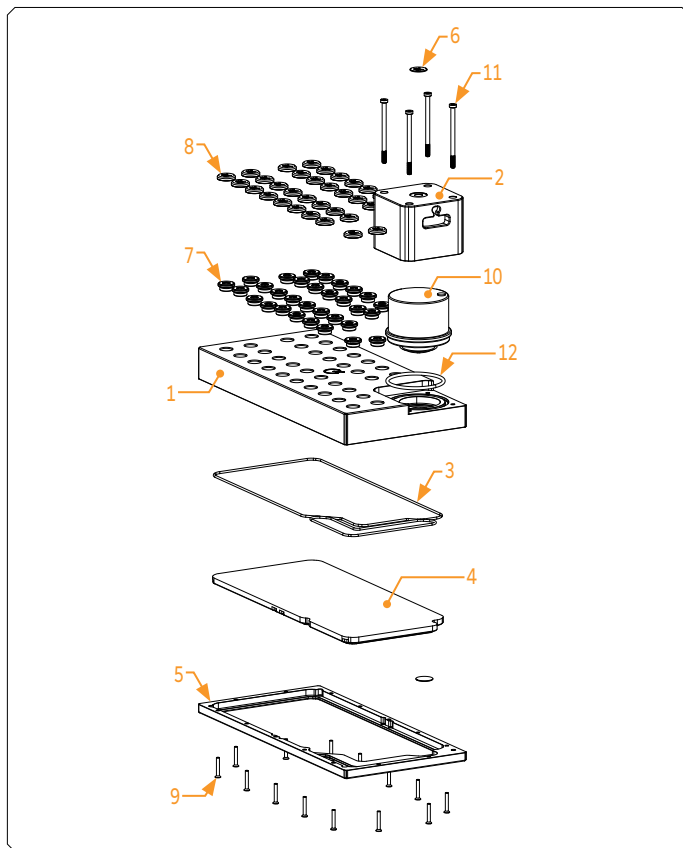
TECHNICAL SPECIFICATIONS AND PRODUCT PARTS

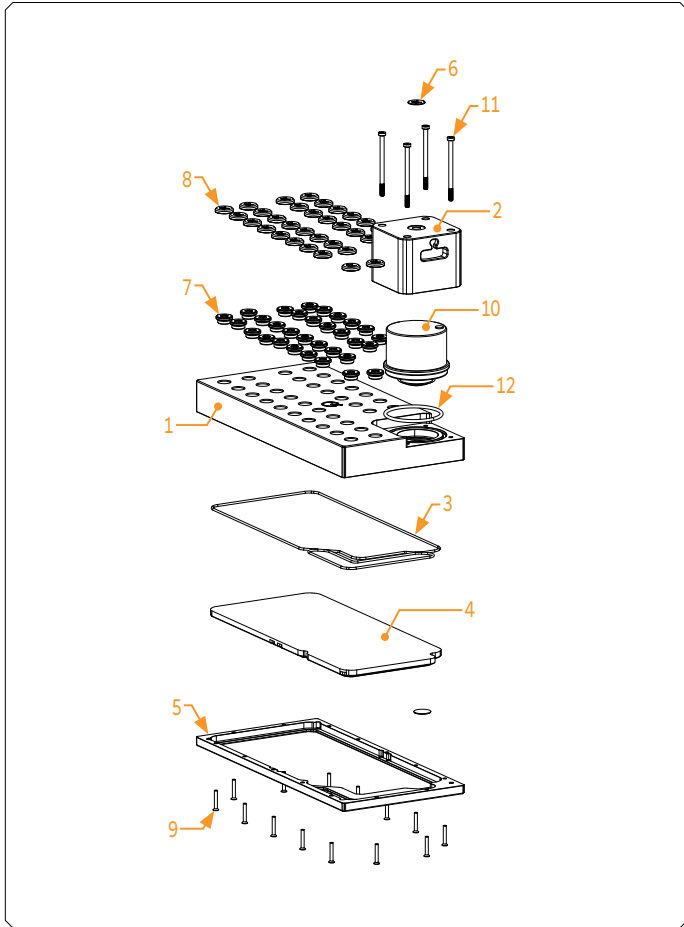
Technical Specification:

EK-QuantumX Loophole Distroplate D5 PWM - Black

- Dimensions with the attached pump (W x D x H): 140 x 87 x 294 mm
- Reservoir volume: ~562 ml
- G1/4" ports: 34
- Plugs: 32 pieces with covers
- Frame: black anodized aluminum
- Pump cover: black anodized aluminum

Position	EAN	Description	Quantity
1	106932	TOP Plate - Block	1
2	107062	D5 Pump cover (Bl. elox)	1
3	106936	OR - 225 x 2 mm	1
4	106931	TOP Plexi Insert	1
5	106934	ALU Cover (Bl.elox)	1
6	100663	EK - Badge	2
7	102639	Quantum Plug	32
8	3831109834282	Plug Cover - Black	32
9	105642	Screw M3 x 20 ISO 14581 TX - INOX	14
10	3831109837597	EK-D5 PWM (12V SATA)	1
11	103311	D5 Cover Screw M4 x 62 mm Black	4
12	5154	OR 52 x 3 NBR50	1





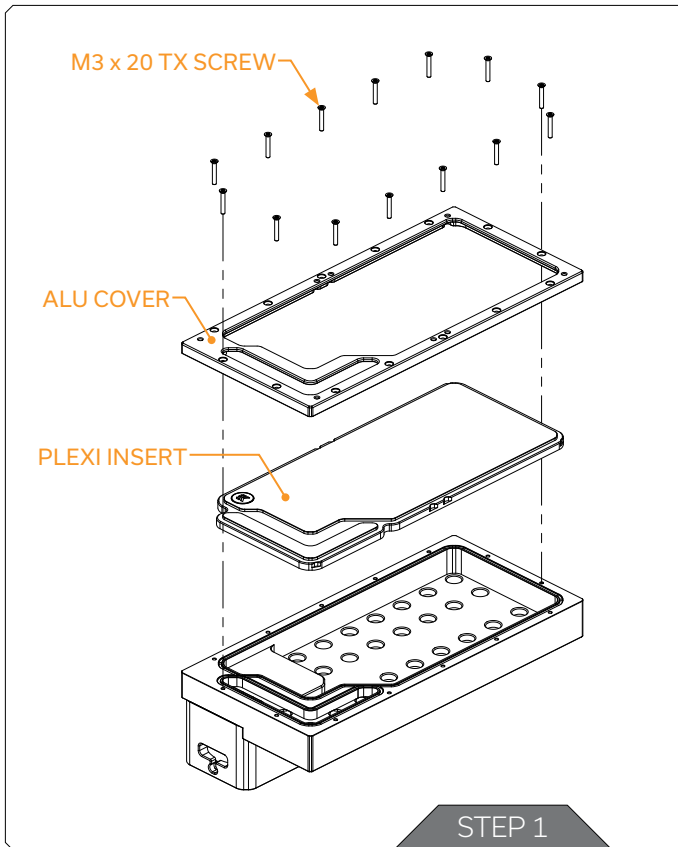
Technical Specification:

EK-QuantumX Loophole Distroplate D5 PWM - Silver

- Dimensions with the attached pump (W x D x H): 140 x 87 x 294 mm
- Reservoir volume: ~562 ml
- G1/4" ports: 34
- Plugs: 32 pieces with covers
- Frame: silver anodized aluminum
- Pump cover: silver anodized aluminum

Position	EAN	Description	Quantity
1	106932	TOP Plate - Block	1
2	107063	D5 Pump cover (Silver)	1
3	106936	OR - 225 x 2 mm	1
4	106931	TOP Plexi Insert	1
5	106935	ALU cover (N. elox)	1
6	100663	EK - Badge	2
7	102639	Quantum Plug	32
8	3831109834282	Plug Cover - Black	32
9	105642	Screw M3 x 20 ISO 14581 TX - INOX	14
10	3831109837597	EK-D5 PWM (12V SATA)	1
11	103311	D5 Cover Screw M4 x 62 mm (Silver)	4
12	5154	OR 52 x 3 NBR50	1

PREPARING THE DISTRIBUTION PLATE



The distribution plate can be mounted on any 280 mm (2 x 140 mm) mounting point, and with angled brackets (sold separately), users can mount it 90° to a 120 mm or 140 mm fan mount.

The distribution plate does not have pre-prepared channels for the coolant routing. Create the desired configuration using micro 90° angle adaptors and HDP or HDC connectors.

INSTALLING THE FITTINGS AND TUBING

STEP 1

Loosen the screws using Torx Key and remove the ALU Cover and Plexi Insert from the distribution plate. Install the desired fitting and tubing.

After attaching the fittings and tubing, reattach the Plexi insert and ALU Cover.

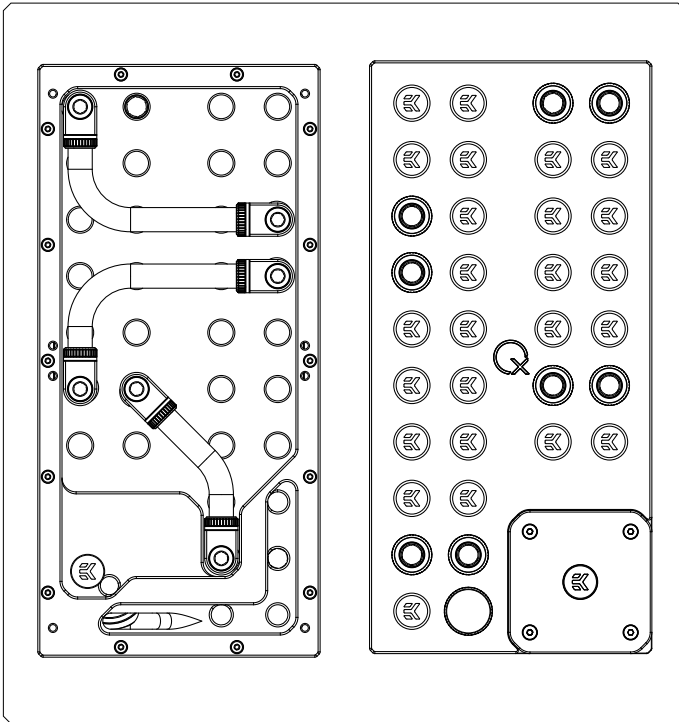


When tightening the fittings and screws, make sure not to apply too much force (Max 0.6Nm).

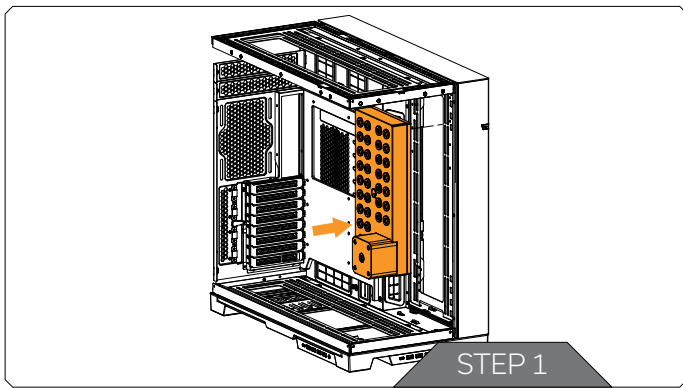


After the installation is complete, the distribution plate must be checked for any potential leaks. Follow the EK-Loop Leak Tester instructions for correct use:
<https://www.ekwb.com/shop/EK-IM/EK-IM-3831109848388.pdf>

EXAMPLE OF A COOLING ROUTING

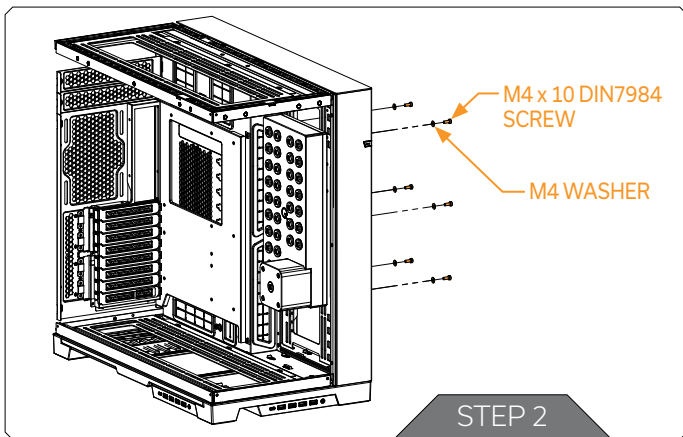


ATTACHING THE DISTRIBUTION PLATE



STEP 1

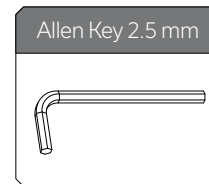
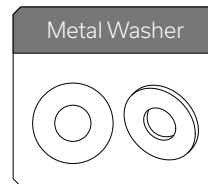
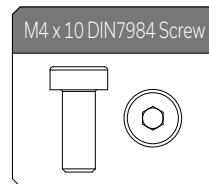
Find a suitable space in the chassis (140 mm fan patterns) and carefully position the distribution plate. Make sure to align the mounting holes with the holes in the chassis.



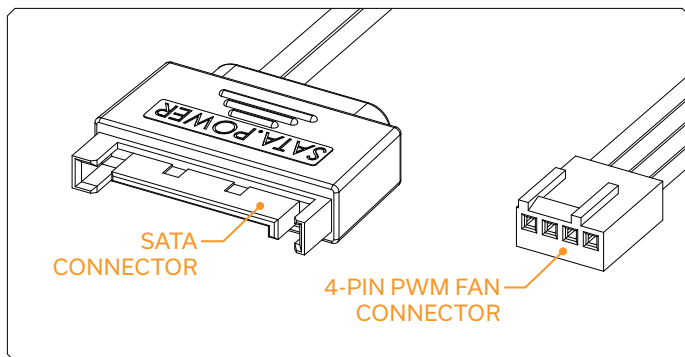
STEP 2

Use the mounting screws and washers to screw in the distribution plate. When tightening, make sure not to apply too much force (Max 0.6Nm).

For this step you will need:



CONNECTING THE PUMP



The EK-D5 PWM pump has two connectors.

- 1. SATA Connector:** It must be connected directly to your PSU at all times as it is used to power the pump.
- 2. 4-pin PWM fan:** It can be connected to your motherboard's CPU_Fan or designated water pump header. It can also be connected to a controller. This cable is used to control and report the rotational speed of the pump. If it's not connected, the pump will run at maximum speed (100% PWM).

TESTING THE LOOP

To make sure the installation of EK components was successful, we recommend you perform a leak test for 24 hours.

When your loop is complete and filled with coolant, connect the pump to a PSU outside of your system. Do not connect power to any of the other components. Turn on the PSU and let the pump run continuously. It is normal for the coolant level to drop during this process as air collects in the distribution plate.

Inspect all parts of the loop, and in the eventuality that coolant leaks, fix the issue and repeat the testing process. Ensure that all hardware is dry before the system is powered on in order to prevent any damage.

SUPPORT AND SERVICE


In case you need assistance or wish to order spare parts or a new mounting mechanism, please contact:

<https://www.ekwb.com/customer-support/>


For spare parts orders, refer to the page with "TECHNICAL SPECIFICATIONS AND PRODUCT PARTS" where you can find the EAN number of each part you might need.

Include the EAN number with quantity in your request.


SOCIAL MEDIA

 EKWaterBlocks

 @EKWaterBlocks

 ekwaterblocks

 EKWBofficial

 ekwaterblocks

