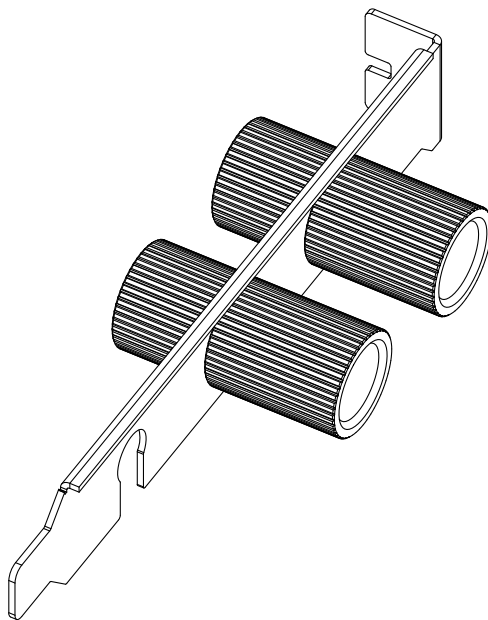


EK-Loop PCI Bracket Pass-Through



Please note the installation of the product is intended to be undertaken by an adequately trained and experienced person. You are installing the product at your own risk. If you are not properly trained or experienced or feel unsure about the installation procedure, please refrain from installing the product yourself and contact our tech support for assistance. We disclaim our liability for any damages to the product as well as incidental, consequential, or indirect damages incurred due to improper or inappropriate installation.

Before you start using this product, please follow these basic guidelines:

Carefully read the manual before beginning with the installation process.

The EK Fittings require only a small amount of force to screw them firmly in place since the liquid seal is ensured by the rubber O-ring gaskets.

Using corrosion-inhibiting coolants is always recommended for liquid cooling systems and mandatory for nickel-plated water blocks!

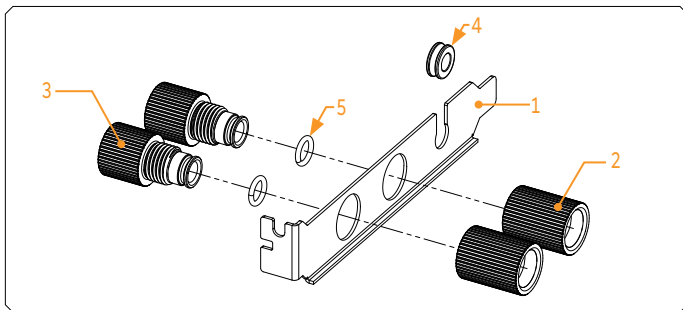
Do not use pure distilled water!

For best results, EK recommends the use of EK-CryoFuel coolants! To reach optimal performance, make sure to bleed the air out of your water block thoroughly!

TABLE OF CONTENTS

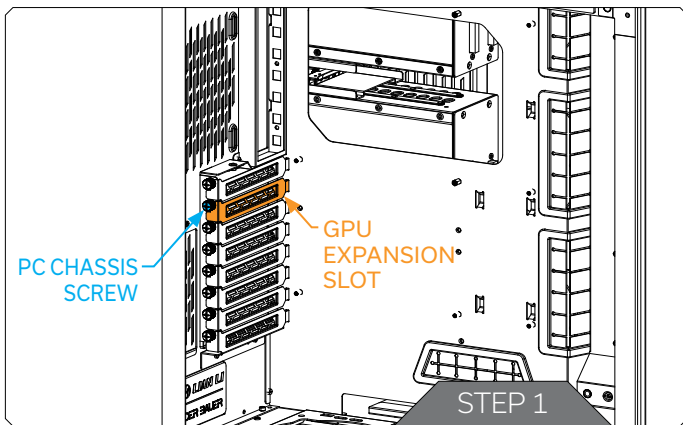
TECHNICAL SPECIFICATIONS AND MAIN PARTS	4
INSTALLING THE EK-Loop PCI Bracket Pass-Through	4
SUPPORT AND SERVICE	6
SOCIAL MEDIA	6

TECHNICAL SPECIFICATIONS AND MAIN PARTS



Position	EAN	Description	Quantity
1	106837	Single slot bracket (Bl.)	1
2	106834	Pass Trough nut (Ni)	2
3	106832	Pass Through screw (Ni)	2
4	106930	Rubber 5.5/8*1 NBR	1
5	5192	OR 7 x 1.5 mm	2

INSTALLING THE EK-Loop PCI Bracket Pass-Through

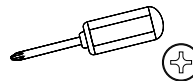


STEP 1

First, remove one (1) GPU expansion slot from the PC Chassis. Save the removed screw for later steps.

For this step, you will need:

Phillips Head Screwdriver



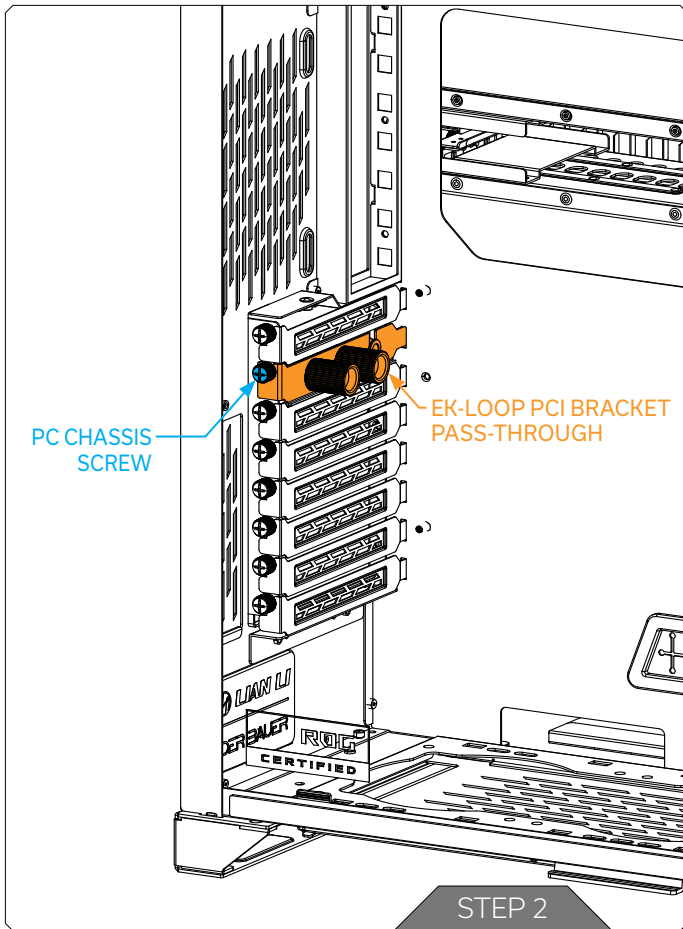
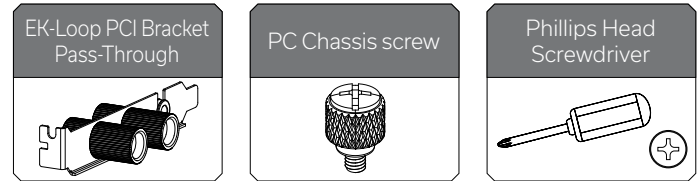
STEP 2

Replace the original GPU Expansion slot with the EK-Loop PCI Bracket Pass-Through. Secure the bracket with the saved PC Chassis screw.

Make sure to rotate the bracket as shown in the picture.

* **The cable management hole, featuring a rubber gasket, prevents friction damage to cables passing through the metal gap on the bracket.**

For this step, you will need:



SUPPORT AND SERVICE

In case you need assistance or wish to order spare parts or a new mounting mechanism, please contact:

<https://www.ekwb.com/customer-support/>


For spare parts orders, refer to the page with "TECHNICAL SPECIFICATIONS AND MAIN PARTS" where you can find the EAN number of each part you might need.

Include the EAN number with quantity in your request.


SOCIAL MEDIA

 EKWaterBlocks

 @EKWaterBlocks

 ekwaterblocks

 EKWBofficial

 ekwaterblocks

