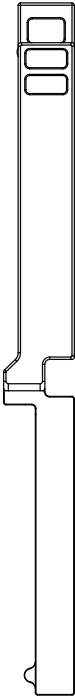


EK-Quantum

Momentum² ROG Maximus Z690/Z790 Extreme I/O Cover - Black



Please note the installation of the product is intended to be undertaken by an adequately trained and experienced person. You are installing the product at your own risk. If you are not properly trained or experienced or feel unsure about the installation procedure, please refrain from installing the product yourself and contact our tech support for assistance. We disclaim our liability for any damages to the product as well as incidental, consequential, or indirect damages incurred due to improper or inappropriate installation.

Before you start using this product, please follow these basic guidelines:

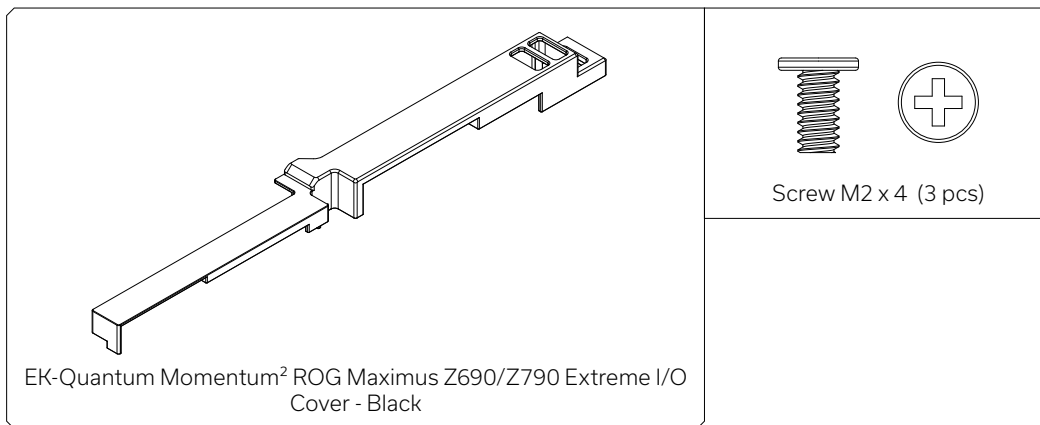
Carefully read the manual before beginning with the installation process.

Remove your motherboard from the computer for the safest mounting process to prevent any possible damage to your water block or its circuit board (PCB).

TABLE OF CONTENTS

BOX CONTENTS	4
TECHNICAL SPECIFICATIONS	4
PREPARING THE MOTHERBOARD	5
REMOVING THE BACKPLATE.....	5
REMOVING THE STOCK I/O COVER.....	6
SUPPORT AND SERVICE	8
SOCIAL MEDIA	8

BOX CONTENTS



TECHNICAL SPECIFICATIONS

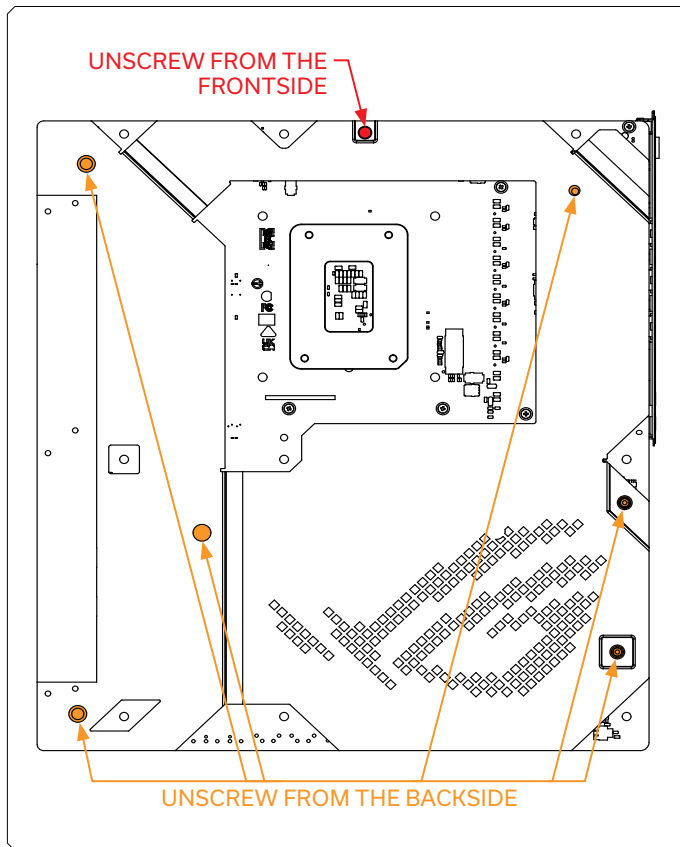
Dimensions: 295.70 x 30.20 x 21.40 mm

The purpose of EK-Quantum Momentum² ROG Maximus Z690/Z790 Extreme I/O Cover - Black is to replace the stock motherboard I/O cover and allow mounting the Vector² ABP (Active Backplate) sets.

The I/O shield is fully compatible only with:

- ROG Maximus Z690 Extreme
- ROG Maximus Z790 Extreme
- ROG Maximus Z690 Extreme Glacial

PREPARING THE MOTHERBOARD



Important! Before starting, make sure to have a clean, flat surface to work on. Putting foam or soft material to lay the motherboard on is recommended.

REMOVING THE BACKPLATE

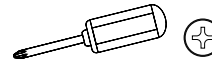
Using a Philips head screwdriver, unscrew six (6) Screws. Rotate the motherboard and remove an additional one (1) screw (Red marked in the picture).

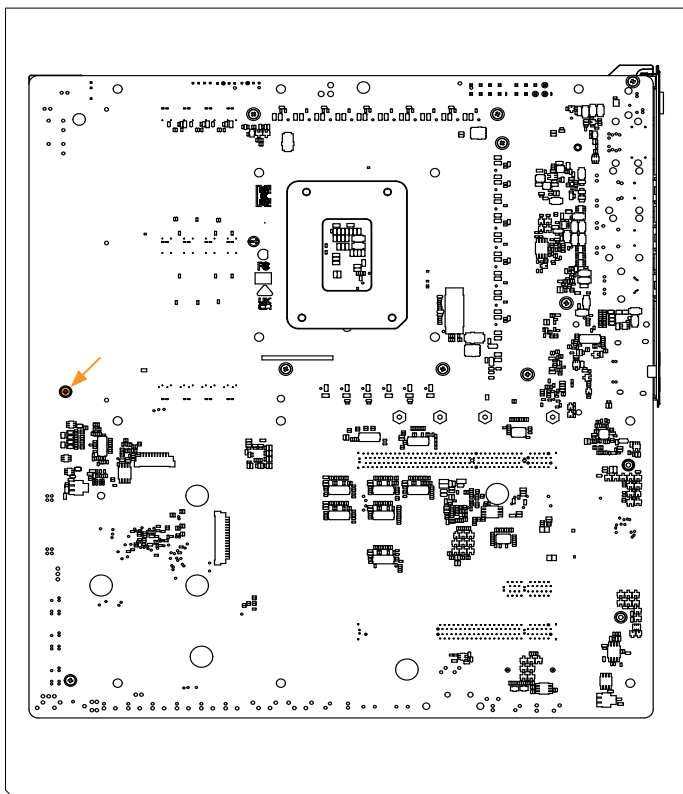
Carefully detach the connectors from the motherboard and remove the backplate. Save the screws! The same screws will need to be used to attach the supplied custom-made I/O Cover.

To detach the stock I/O side cover, the lower stock heatsink will have to be loosened as well.

For this step, you will need:

Phillips Head Screwdriver



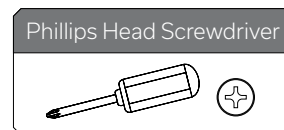


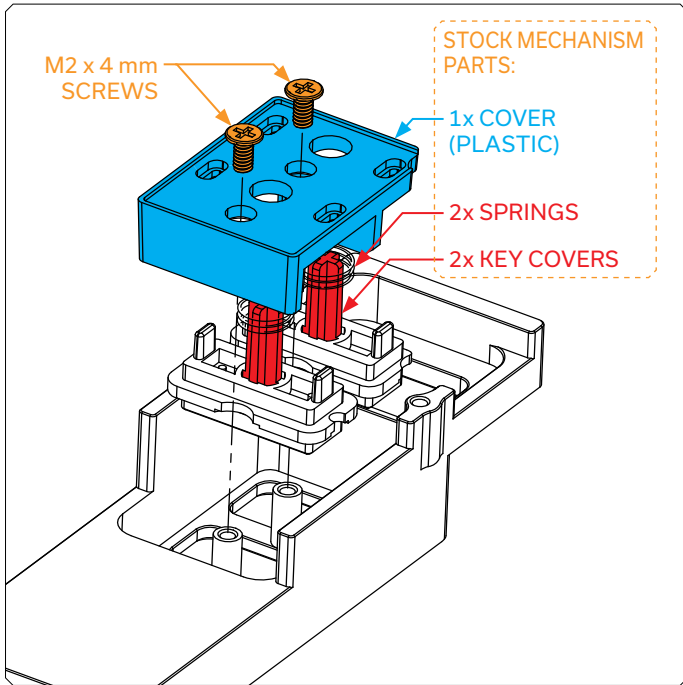
REMOVING THE STOCK I/O COVER

From the backside of the motherboard, unscrew one (1) marked screw.

Detach the cover and save the screws.

For this step, you will need:





To detach the stock I/O side cover, the lower stock heatsink will have to be removed or at least loosened.

The mechanism from the stock I/O Side Cover can be transferred to the EK's I/O Cover using the provided M2 x 4 screws. Be careful that you assemble the mechanism back exactly as it was.


Assemble the I/O Cover and the Motherboard using the same stock screws.

SUPPORT AND SERVICE


In case you need assistance, please contact:
<https://www.ekwb.com/customer-support/>

EKWB d.o.o.
Pod lipami 18
1218 Komenda
Slovenia - EU


SOCIAL MEDIA

 EKWaterBlocks

 @EKWaterBlocks

 ekwaterblocks

 EKWBofficial

 ekwaterblocks

