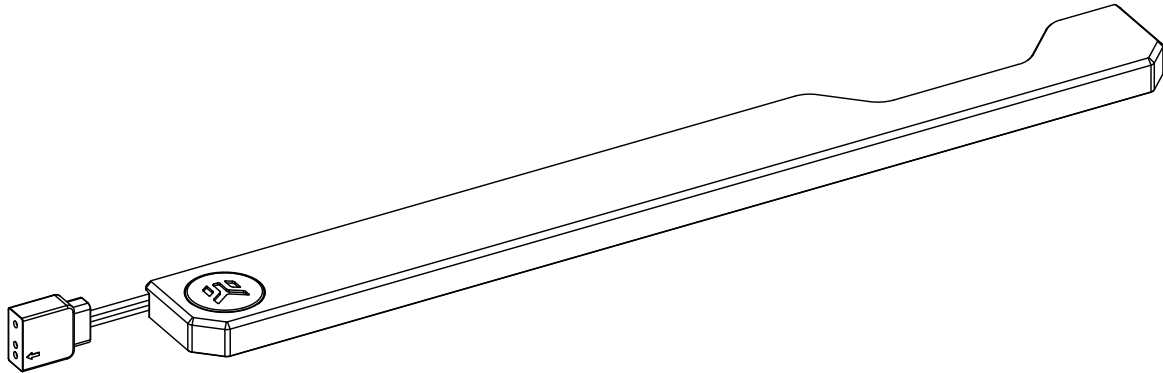


EK-Quantum Kinetic FLT Accent – Silver



Please note the installation of the product is intended to be undertaken by an adequately trained and experienced person. You are installing the product at your own risk. If you are not properly trained or experienced or feel unsure about the installation procedure, please refrain from installing the product yourself and contact our tech support for assistance. We disclaim our liability for any damages to the product as well as incidental, consequential, or indirect damages incurred due to improper or inappropriate installation.

Before you start using this product, please follow these basic guidelines:

Please carefully read the manual before beginning the installation process.

The EK Fittings require only a small amount of force to screw them firmly in place since the liquid seal is ensured by the rubber O-ring gaskets.

The use of corrosion-inhibiting coolants is always recommended for liquid cooling systems, and mandatory for nickel-plated water blocks.

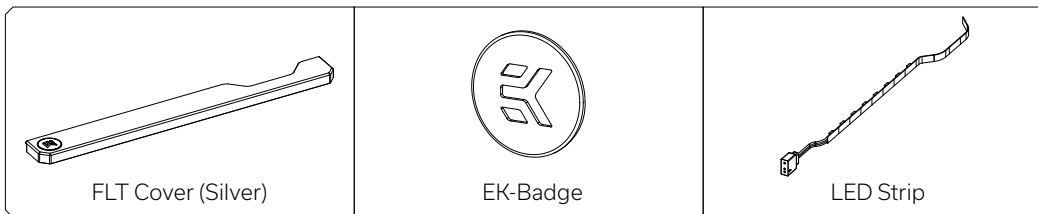
Do not use pure distilled water! For best results, EK recommends the use of EK-Cryo Fuel coolants.

Make sure to thoroughly bleed air out of your water block, or you will not reach optimal performance.

TABLE OF CONTENTS

BOX CONTENTS	4
MAIN PARTS	4
INSTALLING THE REPLACEMENT COVER	5
CONNECTING THE D-RGB LED STRIP	7
SUPPORT AND SERVICE	8
SOCIAL MEDIA	8

BOX CONTENTS

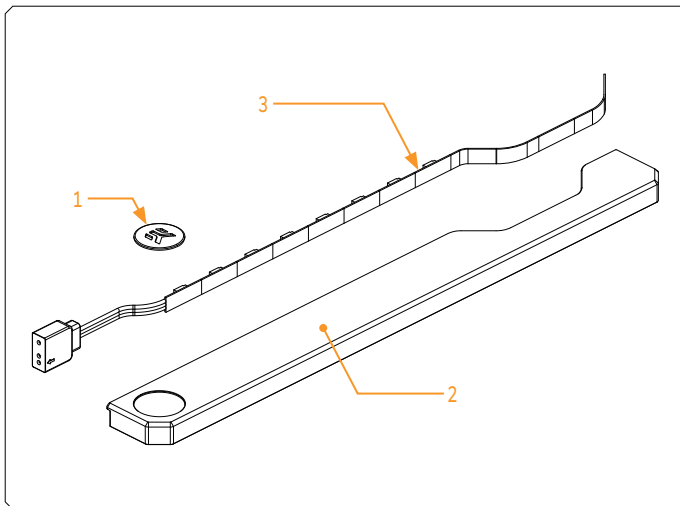


FLT Cover (Silver)

EK-Badge

LED Strip

MAIN PARTS



Position	EAN	Description	Quantity
1	100663	EK RGB Badge	1
2.1	103774	ALU - FLT80 - Cover (N. elox)	1
2.2	101799	ALU - FLT120 - Cover (N. elox)	1
2.3	106727	ALU - FLT240 - Cover (N. elox)	1
2.4	101794	ALU - FLT360 - Cover (N. elox)	1
3	100815	LED D-RGB strip	1

INSTALLING THE REPLACEMENT COVER

STEP 1



Important! Before starting, make sure to have a clean, flat surface to work on. It is recommended to put foam or soft material to lay the parts on.

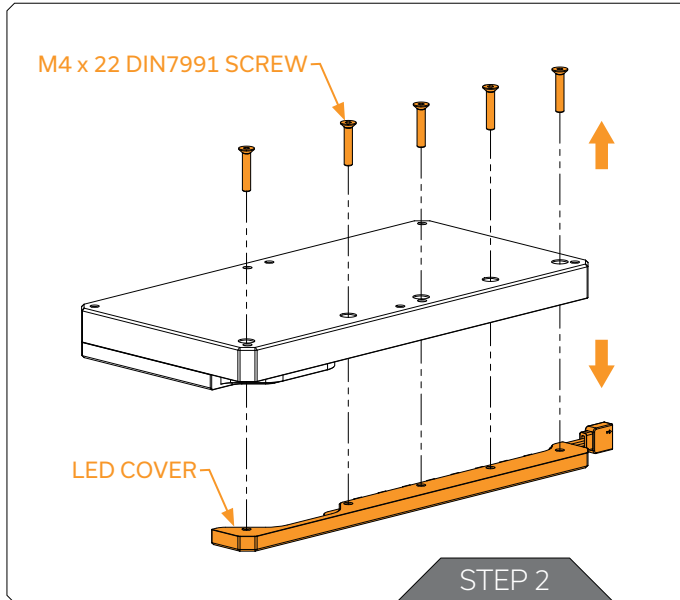
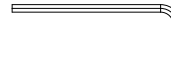
Detach the EK-Quantum Kinetic FLT reservoir from the PC Case and remove the fluid prior to installation of the replacement cover.

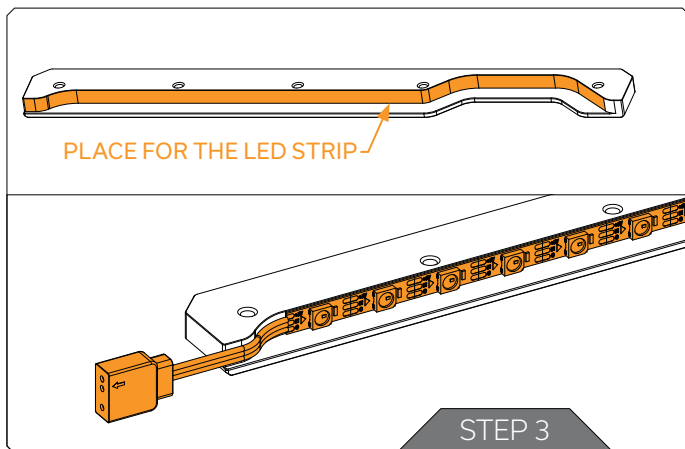
STEP 2

From the reservoir unscrew the **M4 x 22 DIN7991** LED cover screws and remove the LED Cover. **The number of screws depends on the reservoir model.**

For this step, you will need:

Allen Key 2.5 mm

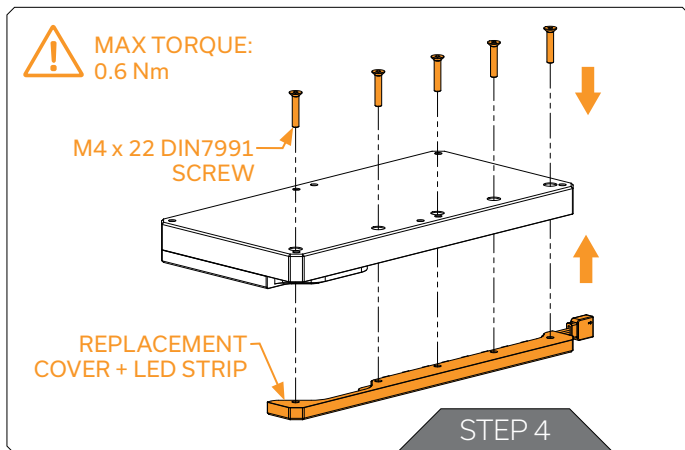




STEP 3

Take the replacement cover and install the LED strip onto the marked part.

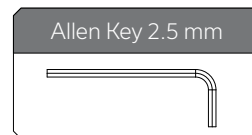
Make sure the LED strip is facing as shown in the picture.



STEP 4

After securing the LED Strip, attach the replacement cover to the EK-Quantum Kinetic FLT reservoir. Secure the cover with the saved M4 x 22 DIN7991 Screws. **Do not use excessive force!**

For this step, you will need:

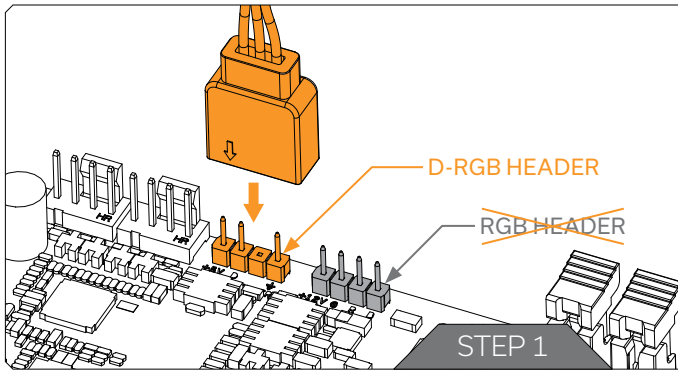


STEP 5

It is essential to carry out a leak test after attaching the replacement cover.

EK recommends using the **EK-Loop Leak Tester Flex**:
<https://www.ekwb.com/shop/ek-loop-leak-tester-flex>

CONNECTING THE D-RGB LED STRIP



STEP 1

Plug the **3 Pin connector** from the reservoir **D-RGB LED** light to the **DRGB HEADER** on the motherboard. The LED will work if the pin layout on the header is as follows: **+5V, Digital, empty, Ground**.



Please ensure that the arrow indicated on the connector is plugged into the +5V line as indicated on your motherboard. If you put the LED Diode to the 12V RGB HEADER you can damage the LEDs. Failure to do so will damage your motherboard or LED strip.

SUPPORT AND SERVICE

In case you need assistance or wish to order spare parts, please contact: <https://www.ekwb.com/customer-support/>

For spare parts orders, refer to the page with "MAIN PARTS" where you can find the EAN number of each part you might need.

Include the EAN number with quantity in your request.


SOCIAL MEDIA

 EKWaterBlocks

 @EKWaterBlocks

 ekwaterblocks

 EKWBofficial

 ekwaterblocks

