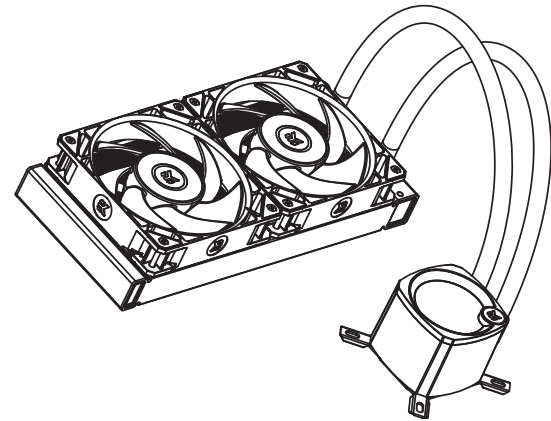
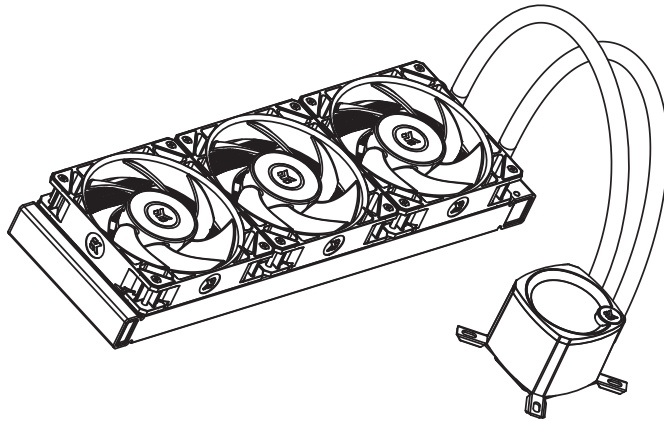


EK-Nucleus AIO CR360 Dark / CR240 Dark



To ensure safe and easy installation, please carefully read this manual before beginning the installation process!

Compatible with:
Intel Socket 115X/1200/1700/20xx CPUs
AMD Socket AM4/AM5 CPUs

TABLE OF CONTENTS

1. SAFETY PRECAUTIONS	4
2. SPECIFICATIONS	4
3. ENCLOSED IN THIS PACKAGE	5
ACCESSORY BOX	5
4. INSTALLATION – INTEL LGA 115X/1200/1700 SOCKET	6
STEP 1: REMOVING THE MOTHERBOARD	6
STEP 2: ATTACHING THE BACKPLATE TO THE MOTHERBOARD	6
STEP 3: ATTACHING MOUNTING SCREWS	6
STEP 4: INSTALLING THE FANS TO THE RADIATOR	6
STEP 5: REMOVING THE COLD-PLATE PROTECTIVE COVER	6
STEP 6: MOUNTING-BRACKETS INSTALLATION	6
STEP 7: PUMP UNIT INSTALLATION	6
STEP 8: INSTALLING THE ASSEMBLY OF FANS AND RADIATOR INTO A PC CASE	7
STEP 9: PUMP – CONNECTING CABLES	7
STEP 10: FANS – CONNECTING CABLES	8
STEP 11: PUMP TOP ORIENTATION	9
OPTIONAL STEP! APPLYING THE THERMAL COMPOUND	9
5. INSTALLATION – INTEL LGA 20XX SOCKET	9
STEP 1: ATTACHING MOUNTING SCREWS (LGA 20XX)	9
6. INSTALLATION – AMD AM4/AM5 SOCKET	9
STEP 1: REMOVING OF THE ORIGINAL PLASTIC HOLD-DOWN CLAMPS (AMD)	9
STEP 2: ATTACHING MOUNTING SCREWS (AMD)	9
STEP 3: INSTALLING THE FANS TO THE RADIATOR (AMD)	9
STEP 4: REMOVING THE COLD-PLATE PROTECTIVE COVER (AMD)	10
STEP 5: MOUNTING-BRACKETS INSTALLATION (AMD)	10
STEP 6: PUMP UNIT INSTALLATION (AMD)	10
STEP 7: INSTALLING THE ASSEMBLY OF FANS AND RADIATOR INTO A PC CASE (AMD)	10
STEP 8: PUMP – CONNECTING CABLES (AMD)	11
STEP 9: FANS – CONNECTING CABLES (AMD)	11
STEP 10: PUMP TOP ORIENTATION (AMD)	12
OPTIONAL STEP! APPLYING THE THERMAL COMPOUND	12
7. GENERAL SAFETY WARNINGS	12
8. SUPPORT AND SERVICE	13
9. SOCIAL MEDIA	13

Please follow the instructions in this manual for proper installation. Improper installation may result in damage to your equipment. EK Water Blocks assumes no liability whatsoever, expressed or implied, for the use of these products, nor their installation. The following instructions are subject to change without notice. Please visit our website at www.ekwb.com for updates.

1. SAFETY PRECAUTIONS

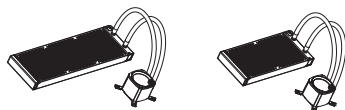
1. Keep and store the product away from the reach of children.
2. Check the component list and condition of the product before installation. If there is any problem, contact the shop where you purchased the product to get a replacement or refund.
3. EKWB d.o.o. is not responsible for any damages due to external causes, including but not limited to, improper use, problems with electrical power, accident, neglect, alteration, repair, improper installation, and improper testing.
4. CPU and motherboard are subject to damage if the product is incorrectly installed.
5. Excessive force exerted on the fan may cause damage to the fan and/or system.
6. This product is a CPU liquid cooling solution kit, composed of individual, original EKWB parts. Combining this liquid cooling unit with parts, other than EK Water Blocks products, may lead to warranty loss.
7. Product design and specifications may be revised to improve quality and performance.
8. You must not run the pump below 20% RPM. The pump must stay within a 20-100% PWM duty cycle at all times. We recommend always running the pump at 100%. (For help on how to control the PWM, please refer to your motherboard instructions.)

2. SPECIFICATIONS

	Model	EK-Nucleus AIO CR240 Dark	EK-Nucleus AIO CR360 Dark
Radiator	Dimensions	277x120x27 mm	398x120x27 mm
	Fin material	Al	Al
Fan	Dimensions	120x120x25 mm (2x)	120x120x25 mm (3x)
	Speed	550-2300 RPM ±10% (PWM: 20-100%)	550-2300 RPM ±10% (PWM: 20-100%)
	Air Flow	72 CFM	72 CFM
	Life Expectancy	70.000 hours	70.000 hours
	Noise Level	36 dB	36 dB
	Bearing Type	FDB bearing	FDB bearing
	Fan Connector	4Pin	4Pin
	Fan Rated Voltage	12V	12V
Pump	Dimensions (mm)	82.3x69.2x61.6 mm	82.3x69.2x61.6 mm
	RPM	3100 RPM ± 10% (PWM: 20-100%)	3100 RPM ± 10% (PWM: 20-100%)
	Life Expectancy	70.000 hours	70.000 hours
	Noise Level	18.5 dB	18.5 dB
	Input Current	0.37 ±10% A	0.37 ±10% A

3. ENCLOSED IN THIS PACKAGE

EK-Nucleus AIO CR240 Dark /
EK-Nucleus AIO CR360 Dark
(1x)



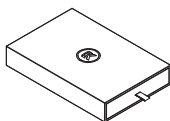
EK-FPT FAN 120ER Full Pressure Technology
(2x / 3x - number of fans depends on the AIO version)



Extension cable 500mm



Accessory box
(1x)



User Manual
(1x)



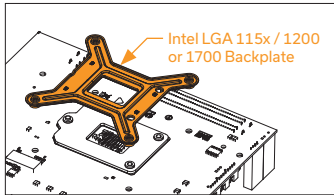
ACCESSORY BOX

Phillips Head Screw UNC 6-32 x 30mm (4 mm thread length) 8x / 12x		Phillips Head Screw UNC 6-32 x 6mm 8x / 12x	
Phillips Head Screw UNC 6-32 x 34mm 8x / 12x		Mounting Plate Phillips Head M3x4mm (for the installation of mounting brackets) 4x	
Mounting thumb screw for Intel LGA 115x/LGA1200/ LGA1700/AMD AM4/AM5 socket 4x		Mounting thumb screw for Intel LGA 20XX socket 4x	
Thumb nut (Intel /AMD) 4x		Spring 4x	
Intel LGA 115x/1200 Backplate 1x		Intel LGA 1700 Backplate 1x	
Intel mounting bracket 1x		AMD mounting bracket 1x	
Tube of Thermal Paste 1x		Mounting Screw Tool 1x	

4. INSTALLATION – INTEL LGA 115X/1200/1700 SOCKET

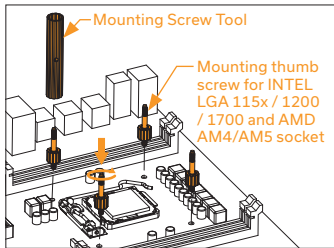
STEP 1: REMOVING THE MOTHERBOARD

If your PC case doesn't have a cutout from the bottom CPU side of the motherboard, you will first need to remove the motherboard from your computer.



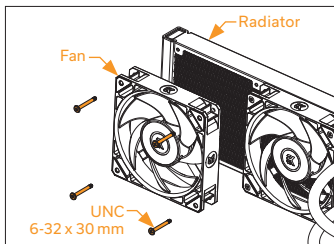
STEP 2: ATTACHING THE BACKPLATE TO THE MOTHERBOARD

Install the Intel backplate for LGA 115x/1200/1700 socket to the back of your motherboard. Choose the right backplate depending on which chipset you are using. Align the holes on the motherboard with the holes on the backplate.



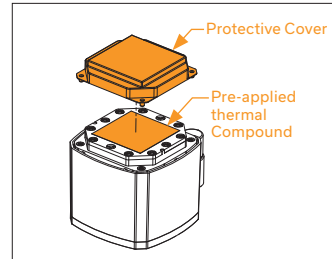
STEP 3: ATTACHING MOUNTING SCREWS

Install 4x mounting thumb screws through your motherboard to the backplate. The screws can be installed by using Mounting Screw Tool. Do not use other tools, because you may damage the motherboard. (i.e. pliers).



STEP 4: INSTALLING THE FANS TO THE RADIATOR

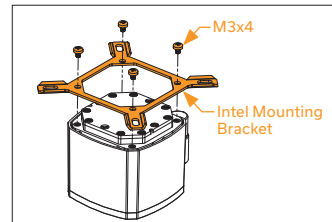
Assemble the fans (2x or 3x ... depending on the AIO version) to the radiator with the UNC 6-32 x 30mm screws.



STEP 5: REMOVING THE COLD-PLATE PROTECTIVE COVER

Remove the protective cover from the backside of the pump unit. It is there only to prevent damage to the cold-plate and the pre-applied thermal compound that is on the cold-plate.

When removing the protective cover and proceeding with installation, be careful not to touch or damage the pre-applied thermal compound.



STEP 6: MOUNTING-BRACKETS INSTALLATION

Use 4x M3x4 screws to install Intel bracket on the pump unit.

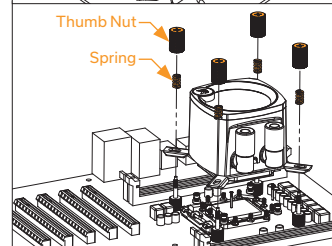
Be careful not to touch or damage the pre-applied thermal compound.



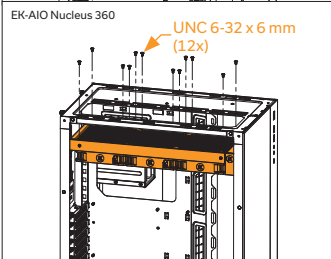
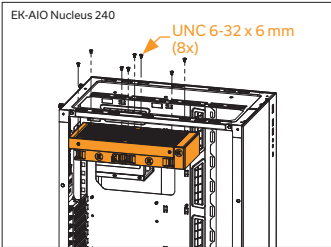
STEP 7: PUMP UNIT INSTALLATION

Wipe the CPU's contact surface (using a non-abrasive cloth or a Q-tip as shown in the sample image).

Align the pump unit over the mounting screws and CPU as shown in the picture.

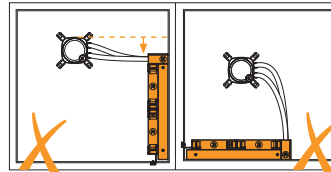


Place the enclosed compression springs and thumb nuts over the mounting screws (4x). Start fastening two thumb nuts at a time, preferably in a cross pattern, and do not tighten them fully until all of them are partially screwed in.



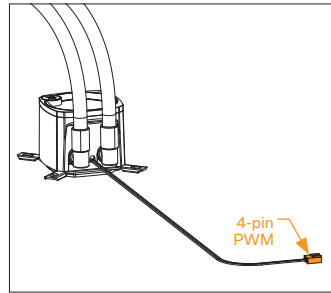
STEP 8: INSTALLING THE ASSEMBLY OF FANS AND RADIATOR INTO A PC CASE

Attach the assembly of radiator and the fan(s) to the PC case with the UNC 6-32 x 6mm screws.

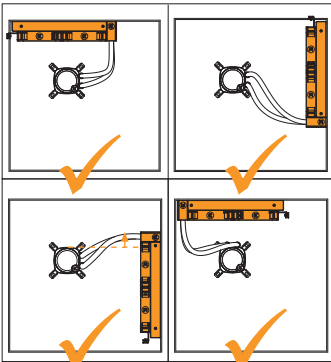


Avoid vertical placement of the radiator with tubing on the top. (When the radiator reservoir is lower than the pump unit).

Avoid radiator at the bottom.



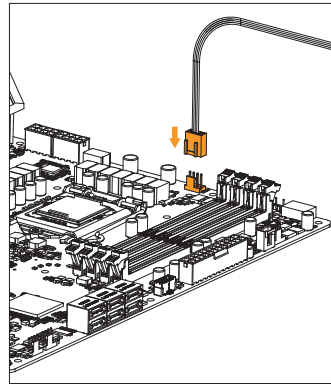
STEP 9: PUMP – CONNECTING CABLES



Radiator on top (recommended).

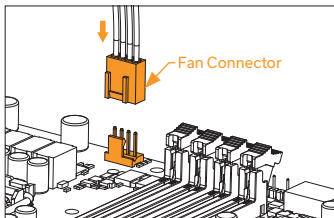
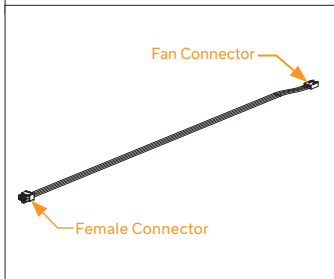
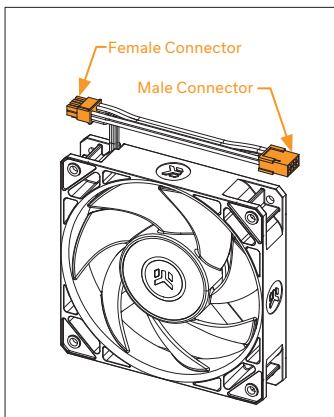
Vertical placement of the radiator with tubing at the bottom (recommended).

Vertical placement of the radiator with tubing on the top. (The radiator reservoir must be placed higher than the pump unit.)



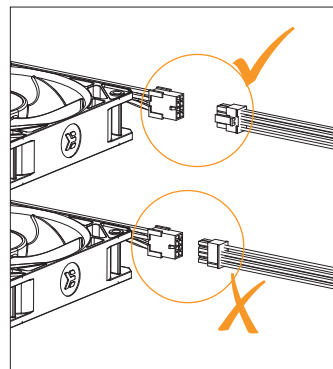
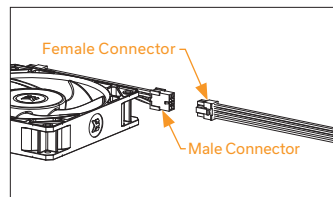
STEP A:

Plug the 4-pin PWM connector from the pump to the motherboard.



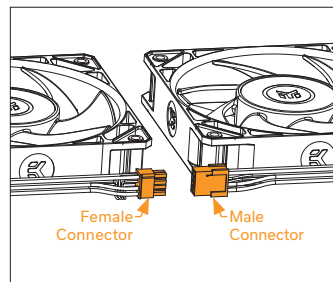
STEP 10: FANS – CONNECTING CABLES

STEP A:
Connect the 4-pin fan connector from the extension cable directly to the CPU fan header on the motherboard. Always use CPU fan header when possible.



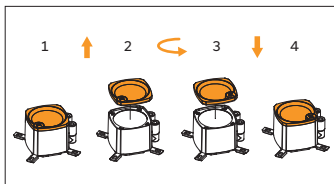
STEP B:
Connect the female connector from the extension cable to the male connector from the first fan in line.

Be careful to turn the micro-fit connector correctly.



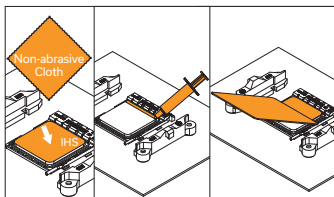
STEP C:
In the case of the EK-Nucleus AIO CR240 or EK-Nucleus AIO CR360 version, connect the second and third fan in series with the "daisy-chain".

Be careful to turn the connector correctly.



STEP 11: PUMP TOP ORIENTATION
Lift the top, rotate it until the EK logo is oriented correctly, and put it back down. The magnets will hold the top in place.

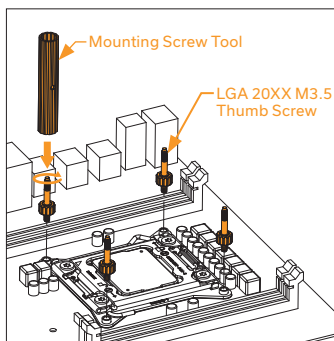
Congratulations! You have successfully installed your EK-Nucleus AIO.



OPTIONAL STEP! APPLYING THE THERMAL COMPOUND
This step is relevant only in the case of a second installation of AIO or if you have damaged the pre-applied paste on the backside of the pump unit. For the first installation, you don't need to apply the additional thermal compound to the CPU's contact surface.

Wipe the CPU's contact surface (using a non-abrasive cloth or Q-tip, as shown in sample photo). On a clean IHS, apply a line of thermal compound and spread it over the whole CPU heat spreader (IHS) with a credit card or equivalent.

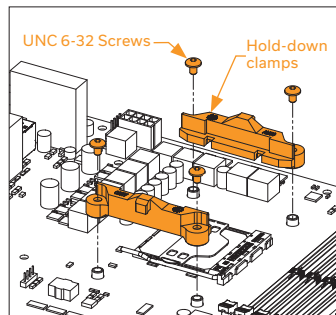
5. INSTALLATION – INTEL LGA 20XX SOCKET



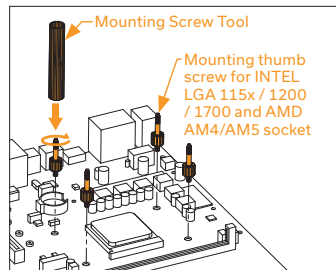
STEP 1: ATTACHING MOUNTING SCREWS (LGA 20XX)
LGA 20xx (2066 / 2011 V3 / 2011) socket motherboards do not require backplate installation. Install 4x LGA 20XX mounting thumb screws into M4 threaded stubs on the LGA 20XX socket integrated latch mechanism (ILM). The screws can be installed by using Mounting Screw Tool. Do not use other tools, because you may damage the motherboard. (i.e. pliers).

Continue installation by following the instructions from Step 4 on page 6

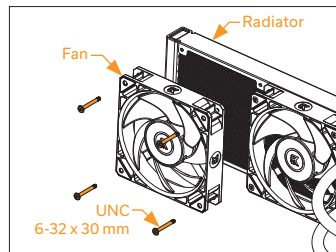
6. INSTALLATION – AMD AM4/AM5 SOCKET



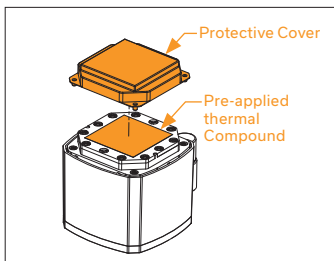
STEP 1: REMOVING OF THE ORIGINAL PLASTIC HOLD-DOWN CLAMPS (AMD)
Using a Philips head screwdriver, remove the four UNC 6-32 screws securing the original plastic hold-down clamps around the socket as shown on the sketch. **Keep the original AMD® backplate** and remove the hold-down clamps and store them away. See the image for further part identification.



STEP 2: ATTACHING MOUNTING SCREWS (AMD)
Install 4x mounting thumb screw for AMD AM4/AM5 socket onto your motherboard. The screws can be installed by using Mounting Screw Tool. Do not use other tools, because you may damage the motherboard. (i.e. pliers).



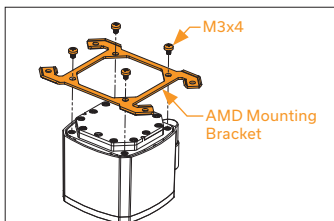
STEP 3: INSTALLING THE FANS TO THE RADIATOR (AMD)
Assemble the fans (2x or 3x ... depending on the AIO version) to the radiator with the UNC 6-32 x 30mm screws.



STEP 4: REMOVING THE COLD-PLATE PROTECTIVE COVER (AMD)

Remove the protective cover from the backside of the pump unit. It is there only to prevent damage to the cold-plate and the pre-applied thermal compound that is on the cold-plate.

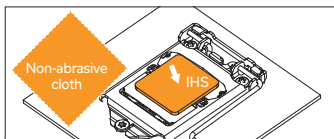
When removing the protective cover and proceeding with installation be careful not to touch or damage the pre-applied thermal compound.



STEP 5: MOUNTING-BRACKETS INSTALLATION (AMD)

Use 4x M3x4 screws to install AMD bracket on the pump unit.

Be careful not to touch or damage the pre-applied thermal compound.

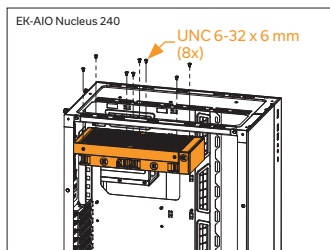
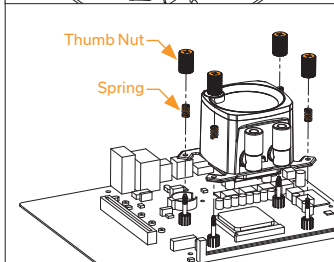


STEP 6: PUMP UNIT INSTALLATION (AMD)

Wipe the CPU's contact surface (using a non-abrasive cloth or a Q-tip as shown in the sample image).

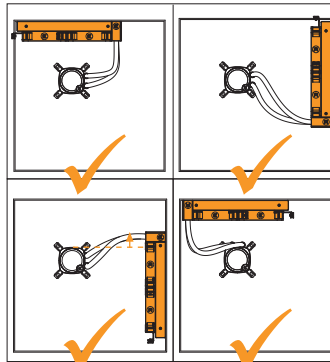
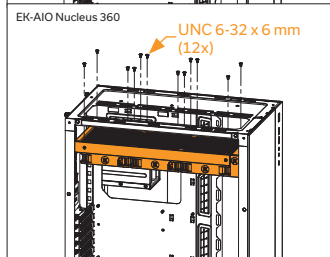
Align the pump unit over the mounting screws and CPU as shown in the picture.

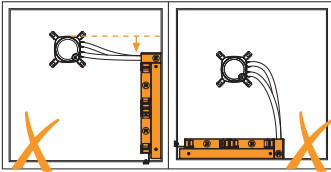
Place the enclosed compression springs and thumb nuts over the mounting screws (4x). Start fastening two thumb nuts at a time, preferably in a cross pattern, and do not tighten them fully until all of them are partially screwed in.



STEP 7: INSTALLING THE ASSEMBLY OF FANS AND RADIATOR INTO A PC CASE (AMD)

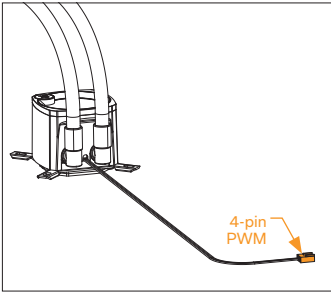
Attach the assembly of radiator and the fan(s) to the PC case with the UNC 6-32 x 6mm screws.





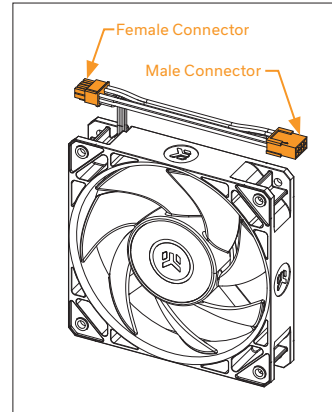
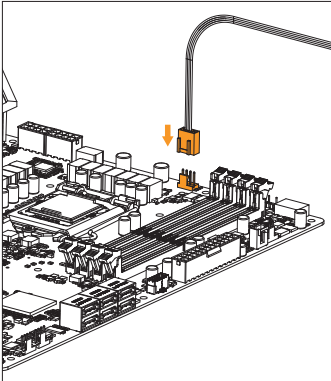
Avoid vertical placement of the radiator with tubing on the top. (When the radiator reservoir is lower than the pump unit).

Avoid radiator at the bottom.

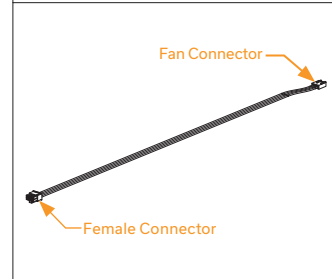


STEP 8: PUMP – CONNECTING CABLES (AMD)

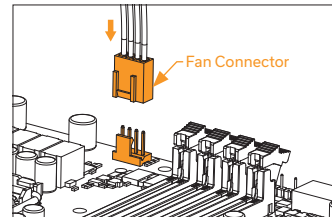
STEP A:
Plug the 4-pin PWM connector from the pump to the motherboard.

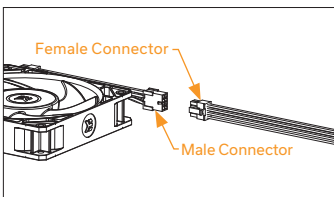


STEP 9: FANS – CONNECTING CABLES (AMD)



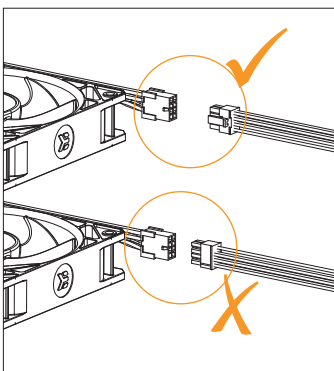
STEP A:
Connect the 4-pin FAN connector from the extension cable directly to the CPU fan header on the motherboard. Always use a CPU fan header when possible.



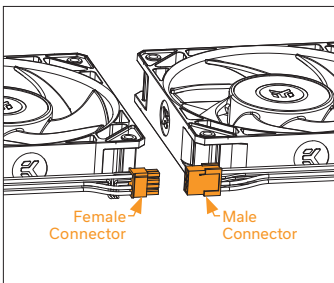


STEP B:

Connect the female connector from the extension cable to the male connector from the first fan in line.



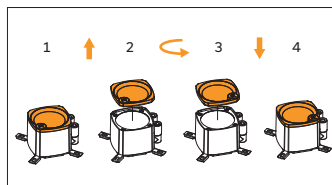
Be careful to turn the micro-fit connector correctly.



STEP C:

In the case of the EK-Nucleus AIO CR240 or EK-Nucleus AIO CR360 version, connect the second and third fan in series with the "daisy-chain".

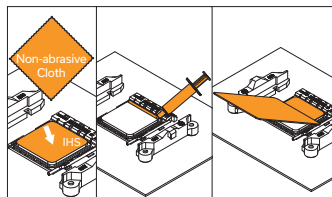
Be careful to turn the connector correctly.



STEP 10: PUMP TOP ORIENTATION (AMD)

Lift the top, rotate it until the EK logo is oriented correctly, and put it back down. The magnets will hold the top in place.

Congratulations! You have successfully installed your EK-Nucleus AIO.



OPTIONAL STEP! APPLYING THE THERMAL COMPOUND

This step is relevant only in the case of a second installation of AIO or if you have damaged the pre-applied paste on the backside of the pump unit. For the first installation, you don't need to apply the additional thermal compound to the CPU's contact surface.

Wipe the CPU's contact surface (using a non-abrasive cloth or Q-tip, as shown on sample photo). On a clean IHS, apply a line of thermal compound and spread it over the whole CPU heat spreader (IHS) with a credit card or equivalent.

7. GENERAL SAFETY WARNINGS

First aid measures in case of:

Skin exposure to coolant: Remove contaminated clothing and rinse thoroughly with plenty of running water or normal saline rinse. If symptoms develop and persist, seek professional medical attention.

Eye exposure to coolant: Immediately open upper and lower eyelids, flush out with running water or normal saline rinse. If irritation persists, seek professional medical attention.

Inhalation of coolant: Remove yourself from site to fresh air. If symptoms develop and persist, seek professional medical attention.

Ingestion of coolant: Drink plenty of warm water and do not induce vomiting. In case of doubt or if feeling unwell, seek professional medical attention.

Skin exposure to thermal paste: Wash thoroughly with soap and water for a minimum of 15 minutes. Contaminated clothing should be removed immediately. If irritation persists, obtain medical attention.

Eye exposure to thermal paste: Flush out thoroughly with running water for a minimum of 15 minutes. If irritation persists, seek professional medical attention.

Inhalation of thermal paste: If adverse effects occur, proceed to an uncontaminated area. If breathing has been arrested, provide artificial respiration immediately. Seek immediate medical attention.

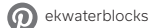
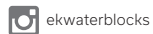
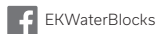
Ingestion of thermal paste: Drink 2 large glasses of water. Do not induce vomiting. If a large amount has been ingested, or if discomfort persists, obtain professional medical attention.

8. SUPPORT AND SERVICE

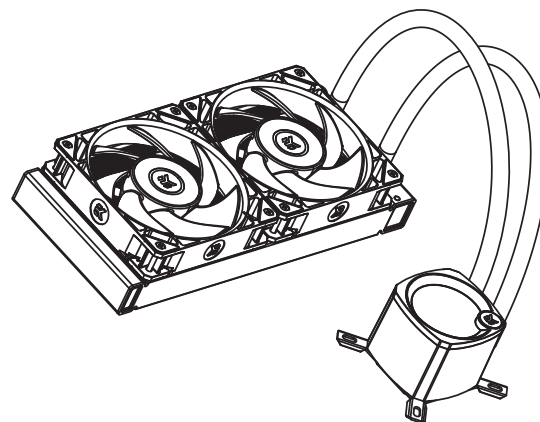
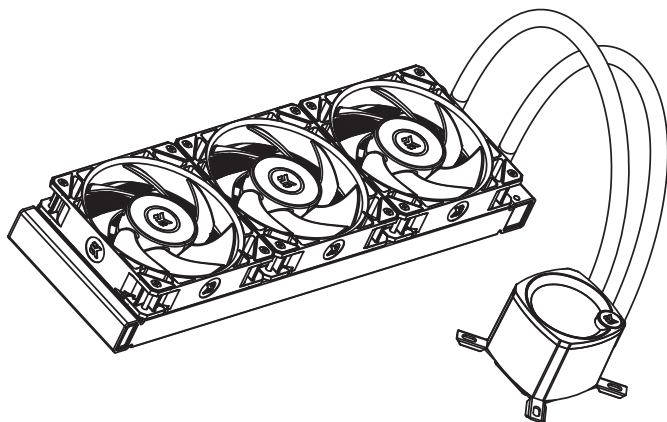
For assistance please contact: <http://support.ekwb.com/>

EKWB d.o.o.
 Pod lipami 18
 1218 Komenda
 Slovenia - EU

9. SOCIAL MEDIA



EK-Nucleus AIO CR360 Dark / CR240 Dark



Za zagotovitev varne in enostavne namestitve natančno preberite ta priročnik pred začetkom postopka namestitve.

Združljiv s:
procesorji 1200/1700/20xx s podnožjem Intel 115X,
procesorjem AM4/AM5 s podnožjem AMD.

VSEBINA

1. VARNOSTNI UKREPI	16
2. SPECIFIKACIJE	16
3. VKLJUČENO V TEM PAKIRANJU	17
ŠKATLA Z DODATNO OPREMO	17
4. NAMESTITEV – PODNOŽJE INTEL LGA 115X/1200/1700	18
1. KORAK: ODSTRANITEV MATIČNE PLOŠČE	18
2. KORAK: NAMESTITEV HRBTNE PLOŠČE NA MATIČNO PLOŠČO	18
3. KORAK: S PRITRDILNIMI VIJAKI	18
4. KORAK: NAMESTITEV VENTILATORJEV NA HLADILNIK	18
5. KORAK: ODSTRANITEV ZAŠČITNEGA POKROVA HLADILNE PLOŠČE	18
6. KORAK: NAMESTITEV NOSILNE KONZOLE	18
7. KORAK: NAMESTITEV ENOTE ČRPALKE	18
8. KORAK: NAMESTITEV SKLOPA VENTILATORJA IN HLADILNIKA V OHIŠJE RAČUNALNIKA	19
9. KORAK: ČRPALKA – POVEZOVALNI KABEL	19
10. KORAK: VENTILATORJI – POVEZOVALNI KABLI	20
11. KORAK: USMERJENOST ZGORNJEGA DELA ČRPALKE	21
IZBIRNI KORAK! NANAŠANJE TERMIČNE SPOJINE	21
5. NAMESTITEV – PODNOŽJE INTEL LGA 20XX	21
1. KORAK: NAMESTITEV PRITRDILNIH VIJAKOV (LGA 20XX)	21
6. NAMESTITEV – PODNOŽJE AMD AM4/AM5	21
1. KORAK: ODSTRANITEV ORIGINALNIH PLASTIČNIH PRITRDILNIH SPONK (AMD)	21
2. KORAK: NAMESTITEV PRITRDILNIH VIJAKOV (AMD)	21
3. KORAK: NAMESTITEV VENTILATORJEV NA HLADILNIK (AMD)	21
4. KORAK: ODSTRANITEV ZAŠČITNEGA POKROVA HLADILNE PLOŠČE (AMD)	22
5. KORAK: NAMESTITEV NOSILNE KONZOLE (AMD)	22
6. KORAK: NAMESTITEV ENOTE ČRPALKE (AMD)	22
7. KORAK: NAMESTITEV SKLOPA VENTILATORJA IN HLADILNIKA V OHIŠJE RAČUNALNIKA (AMD)	22
8. KORAK: ČRPALKA – POVEZOVALNI KABLI (AMD)	23
9. KORAK: VENTILATORJI – POVEZOVALNI KABLI (AMD)	23
10. KORAK: USMERJENOST ZGORNJEGA DELA ČRPALKE (AMD)	24
IZBIRNI KORAK! NANAŠANJE TERMIČNE SPOJINE	24
7. SPLOŠNA VARNOSTNA OPOZORILA	24
8. PODPORA IN STORITVE	25
9. DRUŽBENA OMREŽJA	25

Za pravilno namestititev upoštevajte navodila v tem priročniku. Neustrezna namestitev lahko povzroči škodo na vaši opremi. Podjetje EK Water Blocks ne prevzema nobene odgovornosti, izrecne ali implicitne, za uporabo teh izdelkov in njihovo namestitev. Spodnja navodila se lahko spremenijo brez predhodnega obvestila. Za posodobitve obiščite našo spletno stran www.ekwb.com.

1. VARNOSTNI UKREPI

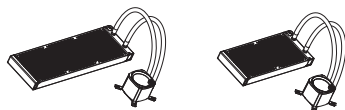
1. Izdelek hranite zunaj dosega otrok.
2. Pred namestitvijo preverite seznam komponent in stanje izdelka. V primeru težav se obrnite na prodajalno, v kateri ste kupili izdelek, da se dogovorite za zamenjavo ali vračilo kupnine.
3. Podjetje EKWB d.o.o. ne odgovarja za kakršno koli škodo, nastalo zaradi zunanjih vzrokov, kar med drugim vključuje nepravilno uporabo, težave z električnim napajanjem, nesrečo, malomarnost, spreminjanje, popravila, nepravilno namestitev in nepravilno testiranje.
4. Procesor in matična plošča se lahko poškodujeta, če je izdelek nameščen nepravilno.
5. Čezmerna sila na ventilator lahko poškoduje ventilator in/ali sistem.
6. Ta izdelek je komplet za vodno hlajenje procesorja, sestavljen iz posameznih originalnih delov EKWB. Kombiniranje te enote za vodno hlajenje z deli, ki niso izdelki podjetja EK Water Blocks, lahko povzroči izgubo garancije.
7. Oblika in specifikacije izdelkov se lahko spremenijo za izboljšanje kakovosti in delovanja.
8. Črpalke ne smete zagnati z manj kot 20 % vrtilne frekvence. Črpalka mora ves čas ostati v obratovalnem ciklu 20-100 % pulznoširinske modulacije. Priporočamo, da črpalka vedno obratuje na 100 %. (Za pomoč pri nadzoru PWM si oglejte navodila za uporabo vaše matične plošče.)

2. SPECIFIKACIJE

Model		EK-Nucleus AIO CR240 Dark	EK-Nucleus AIO CR360 Dark
Hladilnik	Mere	277 × 120 × 27 mm	400 × 398 × 120 × 27 mm
	Material lamel	Al	Al
Ventilator	Mere	120 × 120 × 25 mm (2x)	120 × 120 × 25 mm (3x)
	Hitrost	550-2300 ±10 % vrtilne frekvence (pulznoširinska modulacija: 20-100 %)	550-2300 ±10 % vrtilne frekvence (pulznoširinska modulacija: 20-100 %)
	Zračni pretok	72 cfm	72 cfm
	Življenjska doba	70.000 ur	70.000 ur
	Raven hrupa	36 dB	36 dB
	Vrsta ležaja	Ležaj FDB	Ležaj FDB
	Vezni element za ventilator	4 kontakti	4 kontakti
	Nazivna napetost ventilatorja	12 V	12 V
Črpalka	Mere (mm)	82,3 × 69,2 × 61,6 mm	82,3 × 69,2 × 61,6 mm
	Vrtilna frekvenca	3100 vrt./min ± 10 % (pulznoširinska modulacija: 20-100 %)	3100 vrt./min ± 10 % (pulznoširinska modulacija: 20-100 %)
	Življenjska doba	70.000 ur	70.000 ur
	Raven hrupa	18,5 dB	18,5 dB
	Vhodni tok	0,37 ± 10 % A	0,37 ± 10 % A

3. VKLJUČENO V TEM PAKIRANJU

EK-Nucleus AIO CR240 Dark /
EK-Nucleus AIO CR360 Dark
(1x)



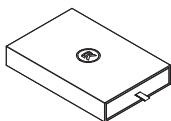
Ventilator EK-FPT FAN 120ER Full Pressure Technology
(2x/3x - število ventilatorjev je odvisno od različice sistema AIO)



Podaljševalni kabel 500 mm



Škatla z dodatno opremo
(1x)



Uporabniški priročnik
(1x)



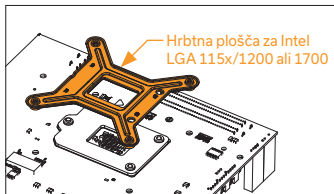
ŠKATLA Z DODATNO OPREMO

Vijak z glavo Phillips UNC 6-32 x 30 mm (dolžina navoja 4 mm) 8x/12x		Vijak z glavo Phillips UNC 6-32 x 6 mm 8x/12x	
Vijak z glavo Phillips UNC 6-32 x 34 mm 8x/12x		Matica za pritrditev z glavo Phillips M3 x 4 mm (za namestitve nosilnih konzol) 4x	
Vijak za pritrditev na podnožje Intel LGA 115x/LGA1200/ LGA1700/AMD AM4/AM5 4x		Vijak za pritrditev na podnožje Intel LGA 20XX 4x	
Matica (Intel/AMD) 4x		Vzmet 4x	
Hrbtna plošča Intel LGA 115x/1200 1x		Hrbtna plošča Intel LGA 1700 1x	
Nosilna konzola Intel 1x		Nosilna konzola AMD 1x	
Tuba termalne paste 1x		Orodje za pritrdilne vijake 1x	

4. NAMESTITEV – PODNOŽJE INTEL LGA 115X/1200/1700

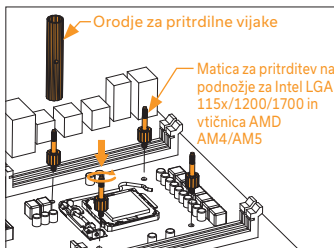
1. KORAK: ODSTRANITEV MATIČNE PLOŠČE

Če ohišje vašega računalnika nima izreza na spodnji strani procesorja na matični plošči, je treba najprej odstraniti matično ploščo z računalnika.



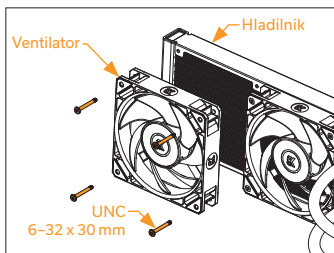
2. KORAK: NAMESTITEV HRBTNE PLOŠČE NA MATIČNO PLOŠČO

Namestite hrbtno ploščo Intel za podnožje LGA 115x/1200/1700 na hrbtno stran matične plošče. Izberite ustrezno hrbtno ploščo glede na nabor vezij, ki ga uporabljate. Poravnajte odprtine matične plošče z odprtinami hrbtno plošče.



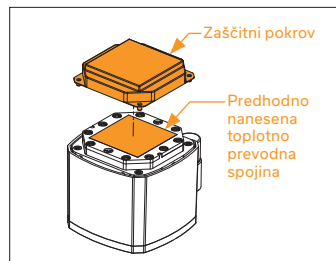
3. KORAK: S PRITRDLINIMI VIJAKI

Namestite 4 pritrdilne palčne vijake skozi matično ploščo na hrbtno ploščo. Pritrdilne vijake lahko pri vijačite s pomočjo orodja za pritrdilne vijake. Ne uporabljajte drugih orodij, ker lahko poškodujete matično ploščo. (tj. kleščo)



4. KORAK: NAMESTITEV VENTILATORJEV NA HLADILNIK

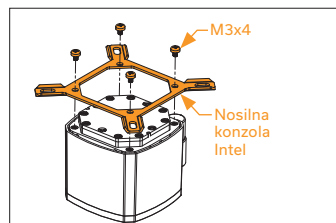
Namestite ventilatorje (2 ali 3 ... odvisno od različice AIO) na hladilnik z vijaki UNC 6-32 x 30 mm.



5. KORAK: ODSTRANITEV ZAŠČITNEGA POKROVA HLADILNE PLOŠČE

Odstranite zaščitni pokrov na hrbtni strani enote črpalke. Ta je nameščen zato, da prepreči poškodbe hladilne plošče in predhodno nanosene termične spojine na hladilni plošči.

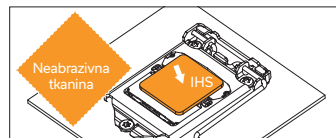
Pri odstranjevanju zaščitnega pokrova in nadaljnjem nameščanju pazite, da se ne dotaknete ali poškodujete predhodno nanosene termične spojine.



6. KORAK: NAMESTITEV NOSILNE KONZOLE

Uporabite 4 vijake M3 x 4 za namestitev konzole Intel na enoto črpalke.

Pazite, da se ne dotaknete ali poškodujete predhodno nanosene termične spojine.

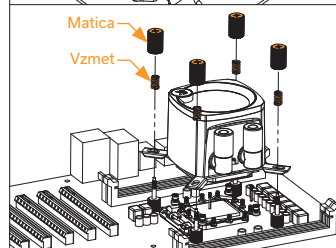


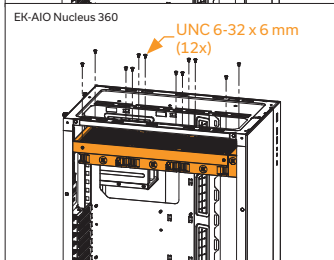
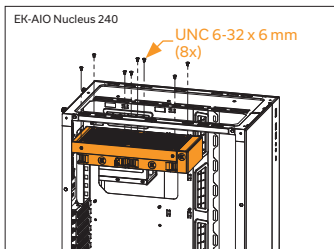
7. KORAK: NAMESTITEV ENOTE ČRPALKE

Obrišite stično površino procesorja (z neabrazivno krpo ali vatirano palčko, kot je prikazano na sliki primera).

Enoto črpalke poravnajte s pritrdilnimi vijaki in procesorjem, kot je prikazano na sliki.

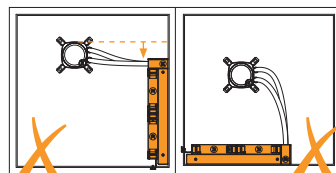
Priložene tlačne vzmeti in matice namestite na pritrdilne vijake (4x). Začnite pritjevati dve matici hkrati, po možnosti navzkržno, in jih ne privijte do konca, dokler niso vse delno privite.





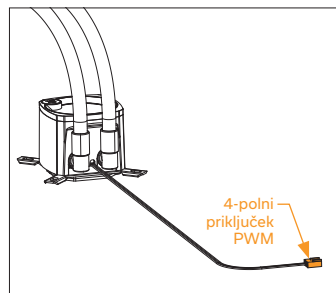
8. KORAK: NAMESTITEV SKLOPA VENTILATORJA IN HLADILNIKA V OHIŠJE RAČUNALNIKA

Sklop hladilnika in ventilatorja/-ev pritrdite na ohišje računalnika z vijaki UNC 6-32 x 6 mm.

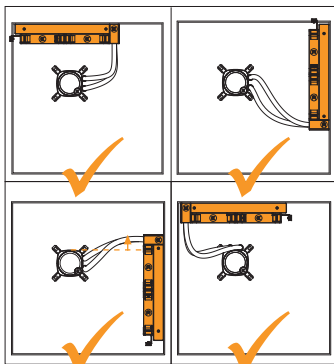


Nepriporočljiva navpična namestitev hladilnika s cevmi na vrhu. (Če je lega rezervoarja radiatorja nižja od črpalke.)

Nepriporočljiva namestitev hladilnika na dnu.



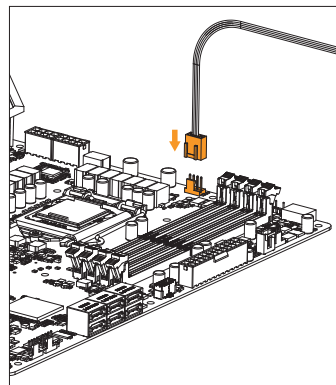
9. KORAK: ČRPALKA – POVEZOVALNI KABEL



Hladilnik na vrhu (priporočeno).

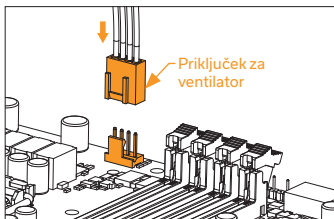
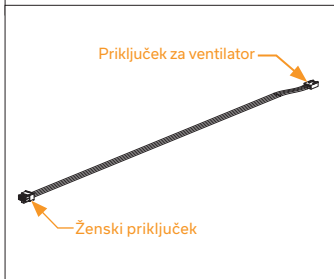
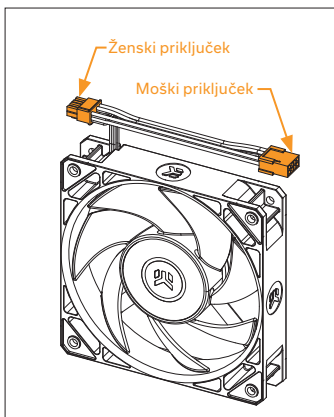
Navpična namestitev hladilnika s cevmi na dnu (priporočeno).

Navpična namestitev hladilnika s cevmi na vrhu. (Lega rezervoarja radiatorja mora biti višja od črpalke.)



KORAK A:

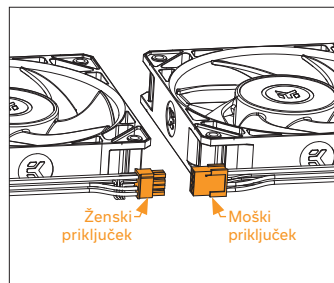
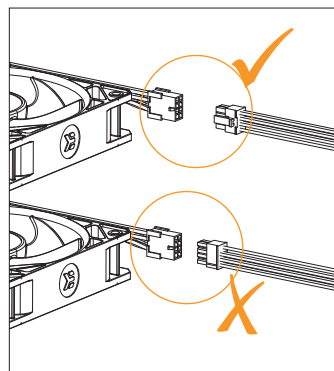
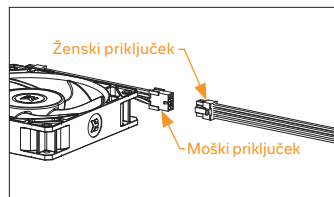
4-polni priključek PWM s črpalke priključite na matično ploščo.



10. KORAK: VENTILATORJI – POVEZOVALNI KABLI

KORAK A:

4-polni priključek za ventilator s podaljševalnega kabla priključite neposredno na razdelilnik za ventilator procesorja na matični plošči. Vedno uporabite razdelilnik za ventilator procesorja, kadar je to mogoče.



KORAK B:

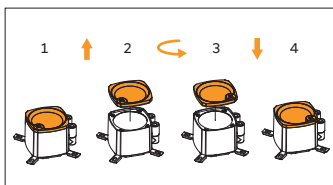
Povežite ženski priključek s podaljševalnega kabla na moški priključek s prvega ventilatorja v liniji.

Bodite pozorni, da ustrezno obrnete priključek Micro-Fit.

KORAK C:

Pri različicah EK-Nucleus AIO CR240 in EK-Nucleus AIO CR360 povežite drugi in tretji ventilator zaporedoma z »marjetičnim povezovanjem«.

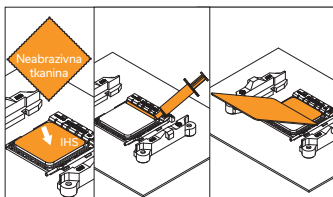
Bodite pozorni, da ustrezno obrnete priključek.



11. KORAK: USMERJENOST ZGORNJEGA DELA ČRPALKE

Dvignite zgornji del in ga vrtite, dokler ni logotip EK ustrezno obrnjen, nato ga spustite nazaj. Magneti bodo zadržali zgornji del na mestu.

Čestitamo! Uspešno ste namestili hladilni sistem EK-Nucleus AIO.

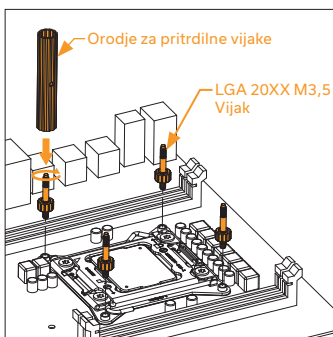


IZBIRNI KORAK! NANAŠANJE TERMIČNE SPOJINE

Ta korak je pomemben samo v primeru druge namestitve sistema AIO ali če ste poškodovali predhodno nameščeno pasto na hrbtini strani enote črpalke. Pri prvi namestitvi vam ni treba nanesti dodatne termične spojine na stično površino procesorja.

Obrišite stično površino procesorja (z neabrazivno krpo ali vatirano palčko, kot je prikazano na sliki primera). Na čista hladilna rebra nanesite linijo termične spojine in jo s kreditno kartico ali podobnim predmetom nanesite po vseh hladilnih rebrih procesorja (IHS).

5. NAMESTITEV – PODNOŽJE INTEL LGA 20XX



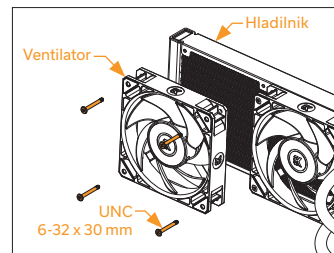
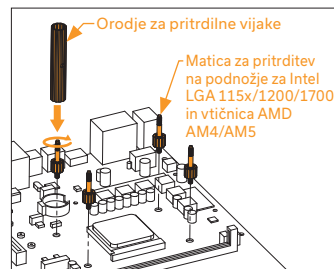
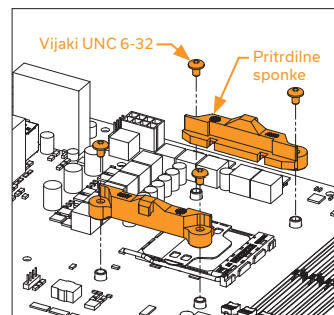
1. KORAK: NAMESTITEV PRITRDLJNIH VIJAKOV (LGA 20XX)

Matične plošče podnožja LGA 20xx (2066/2011 V3 /2011) ne zahtevajo namestitve hrbtne plošče. Namestite 4 pritrdilne palčne vijake LGA 20XX v navojne črpe M4 na vgrajenem zaklepnem mehanizmu podnožja LGA 20XX (ILM). Pritrdilne vijake lahko pri vijačite s pomočjo orodja za pritrdile vijake. Ne uporabljajte drugih orodij, ker lahko poškodujete matično ploščo. (tj. kleščice)



Nadaljujte z namestitvijo tako, da sledite navodilom iz četrtega koraka na strani 18!

6. NAMESTITEV – PODNOŽJE AMD AM4/AM5



1. KORAK: ODSTRANITEV ORIGINALNIH PLASTIČNIH PRITRDLNIH SPONK (AMD)

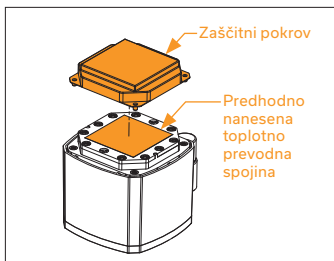
S križnim izvijačem odstranite štiri vijake UNC 6-32, ki pritrdjujejo originalne plastične pritrdilne sponke okrog podnožja, kot je prikazano na sliki. **Obdržite originalno hrbtno ploščo AMD®** in odstranite pritrdilne sponke ter jih shranite. Glejte sliko za nadaljnje prepoznavanje delov.

2. KORAK: NAMESTITEV PRITRDLNIH VIJAKOV (AMD)

Namestite 4 pritrdilne palčne vijake za podnožje AMD AM4/AM5 na matično ploščo. Pritrdilne vijake lahko pri vijačite s pomočjo orodja za pritrdile vijake. Ne uporabljajte drugih orodij, ker lahko poškodujete matično ploščo. (tj. kleščice)

3. KORAK: NAMESTITEV VENTILATORJEV NA HLADILNIK (AMD)

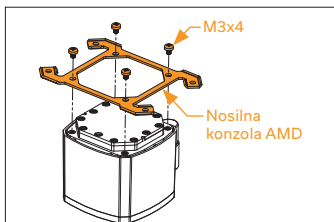
Namestite ventilatorje (2 ali 3 ... odvisno od različice AIO) na hladilnik z vijaki UNC 6-32 x 30 mm.



4. KORAK: ODSTRANITEV ZAŠČITNEGA POKROVA HLADILNE PLOŠČE (AMD)

Odstranite zaščitni pokrov na hrbtni strani enote črpalke. Ta je nameščen zato, da prepreči poškodbe hladilne plošče in predhodno nanescne termične spojine na hladilni plošči.

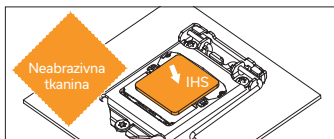
Pri odstranjevanju zaščitnega pokrova in nadaljnjem namešcanju pazite, da se ne dotaknete ali poškodujete predhodno nanescne termične spojine.



5. KORAK: NAMESTITEV NOSILNE KONZOLE (AMD)

Uporabite 4 vijake M3 x 4 za namestitev konzole AMD na enoto črpalke.

Pazite, da se ne dotaknete ali poškodujete predhodno nanescne termične spojine.

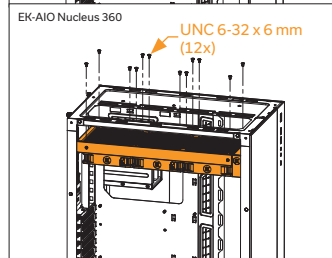
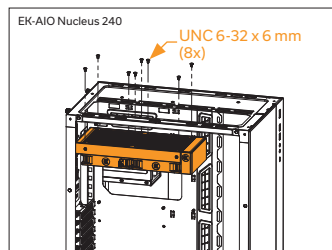
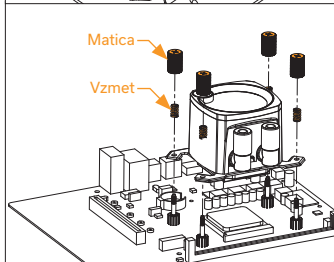


6. KORAK: NAMESTITEV ENOTE ČRPALKE (AMD)

Obrišite stično površino procesorja (z neabrazivno krpo ali vatirano palčko, kot je prikazano na sliki primera).

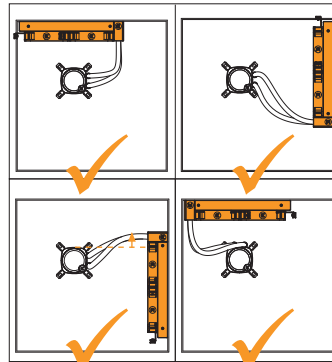
Enoto črpalke poravnajte s pritrilnimi vijaki in procesorjem, kot je prikazano na sliki.

Priložene tlačne vzmeti in matice namestite na pritrilne vijake (4x). Začnite pritrjevati dve matici hkrati, po možnosti navzkrižno, in jih ne privijete do konca, dokler niso vse delno privite.



7. KORAK: NAMESTITEV SKLOPA VENTILATORJA IN HLADILNIKA V OHIŠJE RAČUNALNIKA (AMD)

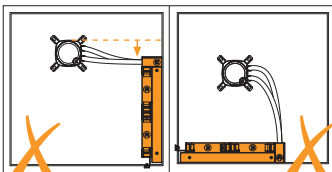
Sklop hladilnika in ventilatorja/-ev pritrдите na ohišje računalnika z vijaki UNC 6-32 x 6 mm.



Hladilnik na vrhu (priporočeno).

Navpična namestitev hladilnika s cevmi na dnu (priporočeno).

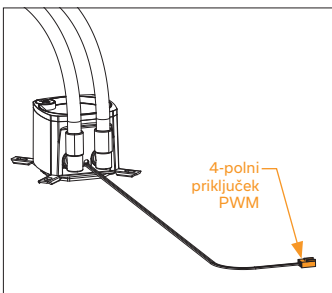
Navpična namestitev hladilnika s cevmi na vrhu. (Lega rezervoarja radiatorja mora biti višja od črpalke.)



Nepriporočljiva navpična namestitev hladilnika s cevmi na vrhu. (Če je lega rezervoarja radiatorja nižja od črpalke.)

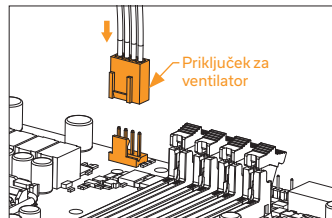
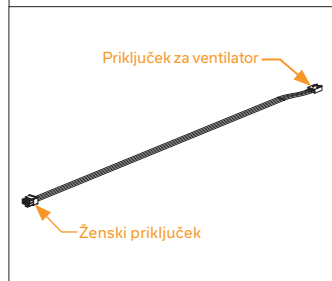
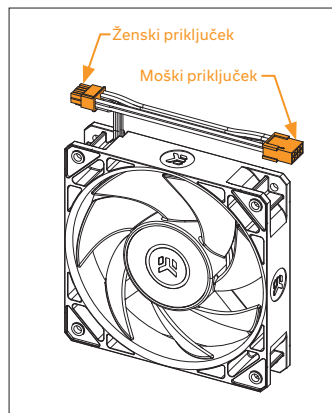
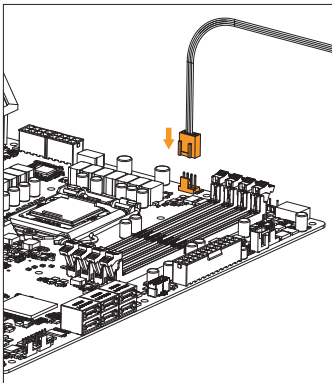
Nepriporočljiva namestitev hladilnika na dnu.

8. KORAK: ČRPALKA – POVEZOVALNI KABLI (AMD)



KORAK A:

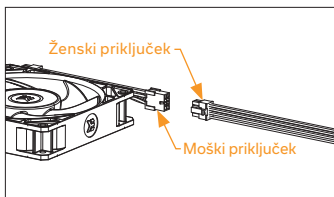
4-polni priključek PWM s črpalke priključite na matično ploščo.



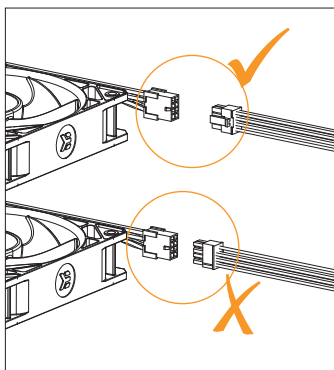
9. KORAK: VENTILATORJI – POVEZOVALNI KABLI (AMD)

KORAK A:

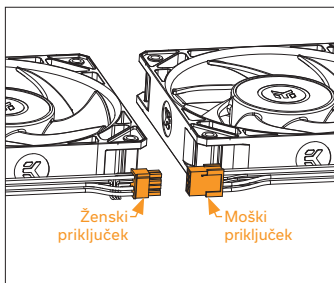
4-polni priključek za VENTILATOR s podaljševalnega kabla priključite neposredno na razdelilnik za ventilator procesorja na matični plošči. Vedno uporabite razdelilnik za ventilator procesorja, kadar je mogoče.



KORAK B:
Povežite ženski priključek s podaljševalnega kabla na moški priključek s prvega ventilatorja v liniji.

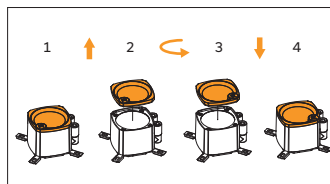


Bodite pozorni, da ustrezno obrnete priključek Micro-Fit.



KORAK C:
Pri različnih EK-Nucleus AIO CR240 in EK-Nucleus AIO CR360 povežite drugi in tretji ventilator zaporedoma z »marjetičnim povezovanjem«.

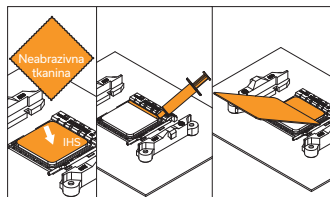
Bodite pozorni, da ustrezno obrnete priključke.



10. KORAK: USMERJENOST ZGORNJEGA DELA ČRPALKE (AMD)

Dvignite zgornji del in ga vrčite, dokler ni logotip EK ustrezno obrnjen, nato ga spustite nazaj. Magneti bodo zadržali zgornji del na mestu.

Čestitamo! Uspešno ste namestili hladilni sistem EK-Nucleus AIO.



IZBIRNI KORAK! NANAŠANJE TERMIČNE SPOJINE

Ta korak je pomemben samo v primeru druge namestitve sistema AIO ali če ste poškodovali predhodno nameščeno pasto na hrbtni strani enote črpalke. Pri prvi namestitvi vam ni treba nanesti dodatne termične spojine na stično površino procesorja.

Obrišite stično površino procesorja (z neabrazivno krpo ali vatirano palčko, kot je prikazano na sliki primeru). Na čista hladilna rebra nanesite linijo termične spojine in jo s kreditno kartico ali podobnim predmetom nanesite po vseh hladilnih rebrih procesorja (IHS).

7. SPLOŠNA VARNOSTNA OPOZORILA

Ukrepi prve pomoči v primeru:

Izpostavljenost kože hladilni tekočini: Odstranite kontaminirana oblačila in jih temeljito sperite z veliko tekoče vode ali navadno fiziološko raztopino. Če se razvijejo simptomi, poiščite strokovno zdravniško pomoč.

Izpostavljenost oči hladilni tekočini: Takoj odprite zgornjo in spodnjo veko, sperite s tekočo vodo ali navadno fiziološko raztopino. Če draženje ne preneha, poiščite strokovno zdravniško pomoč.

Vdihavanje hladilne tekočine: Takoj pojdite z kontaminiranega mesta na svež zrak. Če se razvijejo simptomi, poiščite strokovno zdravniško pomoč.

Zaužitje hladilne tekočine: Pijte veliko tople vode in ne silite bruhanja. V primeru dvoma ali slabega počutja poiščite strokovno zdravniško pomoč.

Izpostavljenost kože termalni pasti: Temeljito umijte izpostavljeno kožo z milom in vodo najmanj 15 minut. Kontaminirana oblačila je treba takoj odstraniti. Če draženje ne preneha, poiščite zdravniško pomoč.

Izpostavljenost oči termalni pasti: Temeljito spirajte s tekočo vodo najmanj 15 minut. Če draženje ne preneha, poiščite strokovno zdravniško pomoč.

Vdihavanje termalne paste: Če se pojavijo neželeni učinki, pojdite na nekontaminirano območje. Če je dihanje zastalo, takoj zagotovite umetno dihanje. Takoj poiščite zdravniško pomoč.

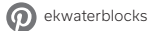
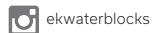
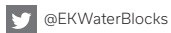
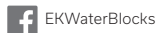
Zaužitje termalne paste: Popijte 2 velika kozarca vode. Ne silite bruhanja. Če ste zaužili veliko količino ali če nelagodje ne preneha, poiščite strokovno zdravniško pomoč.

8. PODPORA IN STORITVE

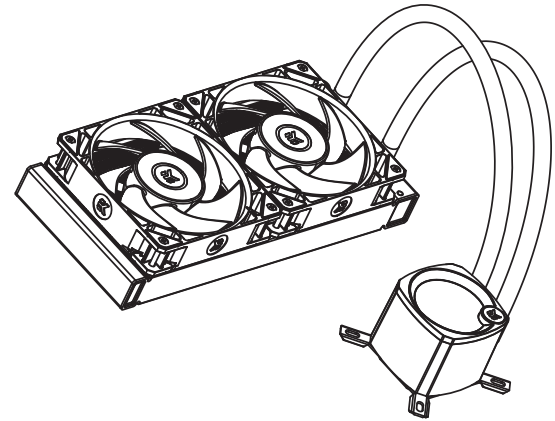
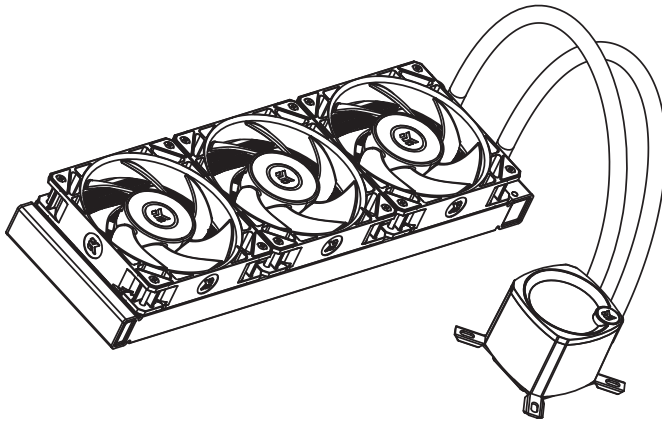
Za pomoč se obrnite na: <http://support.ekwb.com/>

EKWB d.o.o.
Pod lipami 18
1218 Komenda
Slovenija - EU

9. DRUŽBENA OMREŽJA



EK-Nucleus AIO CR360 Dark / CR240 Dark



Um eine sichere und einfache Installation zu gewährleisten, lesen Sie bitte dieses Handbuch sorgfältig durch, bevor Sie mit der Installation beginnen!

Kompatibel mit:
Intel Buchse 115X / 1200/1700/20xx CPUs
AMD Buchse AM4/AM5 CPUs

INHALT

1. SICHERHEITSVORKEHRUNGEN	28
2. TECHNISCHE DATEN	28
3. IN DIESEM PAKET ENTHALTEN	29
ZUBEHÖRBOX	29
4. INSTALLATION – INTEL LGA 115X/1200/1700-BUCHSE	30
SCHRITT 1: ENTFERNEN DES MOTHERBOARDS	30
SCHRITT 2: BEFESTIGEN SIE DIE RÜCKWAND AM MOTHERBOARD	30
SCHRITT 3: BEFESTIGUNGSSCHRAUBEN ANBRINGEN	30
SCHRITT 4: EINBAU DER LÜFTER IN DES KÜHLKÖRPERS	30
SCHRITT 5: ENTFERNEN DER KÜHLPLATTENSCHUTZFOLIE	30
SCHRITT 6: ANBRINGUNG VON MONTAGEHALTERUNGEN	30
SCHRITT 7: INSTALLATION DER PUMPENEINHEIT	30
SCHRITT 8: EINBAU DER LÜFTERBAUGRUPPE UND DES KÜHLERS IN EIN PC-GEHÄUSE	31
SCHRITT 9: PUMPENANSCHLUSSKABEL	31
SCHRITT 10: LÜFTER – ANSCHLUSSKABEL	32
SCHRITT 11: ORIENTIERUNG DER PUMPENEINHEIT OBEN	33
OPTIONALER SCHRITT! WÄRMELEITPASTE AUFTRAGEN	33
5. INSTALLATION - INTEL LGA 20XX-BUCHSE	33
SCHRITT 1: BEFESTIGUNGSSCHRAUBEN ANBRINGEN [LGA 20XX]	33
6. INSTALLATION – AMD AM4/AM5 BUCHSE	33
SCHRITT 1: ENTFERNEN DER ORIGINALEN KUNSTSTOFFNIEDERHALTER [AMD]	33
SCHRITT 2: BEFESTIGUNGSSCHRAUBEN ANBRINGEN [AMD]	33
SCHRITT 3: EINBAU DER LÜFTER IN DEN KÜHLKÖRPER [AMD]	33
SCHRITT 4: ENTFERNEN DER KÜHLPLATTENSCHUTZFOLIE [AMD]	34
SCHRITT 5: ANBRINGUNG VON MONTAGEHALTERUNGEN [AMD]	34
SCHRITT 6: INSTALLATION DER PUMPENEINHEIT [AMD]	34
SCHRITT 7: EINBAU DER LÜFTERBAUGRUPPE UND DES KÜHLKÖRPERS IN EIN PC-GEHÄUSE [AMD]	34
SCHRITT 8: PUMPENANSCHLUSSKABEL [AMD]	35
SCHRITT 9: LÜFTER - VERBINDUNGSKABEL [AMD]	35
SCHRITT 10: ORIENTIERUNG DER PUMPENEINHEIT OBEN [AMD]	36
OPTIONALER SCHRITT! WÄRMELEITPASTE AUFTRAGEN	36
7. ALLGEMEINE SICHERHEITSHINWEISE	36
8. SUPPORT UND SERVICE	37
9. SOZIALE MEDIEN	37

Bitte befolgen Sie die Anweisungen in dieser Anleitung für eine ordnungsgemäße Installation. Eine unsachgemäße Installation kann zu Schäden an Ihrem Gerät führen. EK Water Blocks übernimmt keinerlei ausdrückliche oder stillschweigende Haftung für die Verwendung dieser Produkte oder deren Installation. Die folgenden Anweisungen können ohne vorherige Ankündigung geändert werden. Bitte besuchen Sie unsere Website unter www.ekwb.com für Updates.

1. SICHERHEITSVORKEHRUNGEN

1. Bewahren Sie das Produkt außerhalb der Reichweite von Kindern auf.
2. Überprüfen Sie vor der Installation die Komponentenliste und den Zustand des Produkts. Wenn ein Problem auftritt, wenden Sie sich an das Geschäft, in dem Sie das Produkt gekauft haben, um einen Ersatz oder eine Rückerstattung zu erhalten.
3. EKWB d.o.o. haftet nicht für Schäden, die auf äußere Ursachen zurückzuführen sind, einschließlich, aber nicht beschränkt auf: unsachgemäße Verwendung, Probleme mit der Stromversorgung, Unfall, Nachlässigkeit, Änderung, Reparatur, unsachgemäße Installation und unsachgemäße Prüfung.
4. CPU und Motherboard können beschädigt werden, wenn das Produkt falsch installiert wird.
5. Übermäßige Krafteinwirkung auf den Lüfter kann zu Schäden am Lüfter und/oder System führen.
6. Bei diesem Produkt handelt es sich um ein CPU-Flüssigkeitskühlösungs-Kit, das aus einzelnen Original-EKWB-Teilen besteht. Die Kombination dieser Flüssigkeitskühleinheit mit anderen Teilen als EK Water Blocks-Produkten kann zum Garantieverlust führen.
7. Produktdesign und -spezifikationen können überarbeitet werden, um Qualität und Leistung zu verbessern.
8. Sie dürfen die Pumpe nicht unter 20 % U/min laufen lassen. Die Pumpe muss jederzeit innerhalb von 20-100 % des PWM-Betriebszyklus bleiben. Wir empfehlen, die Pumpe immer mit 100 % zu betreiben. (Hinweise zur Steuerung der PWM finden Sie in der Anleitung Ihrer Hauptplatine.)

2. TECHNISCHE DATEN

	Modell	EK-Nucleus AIO CR240 Dark	EK-Nucleus AIO CR360 Dark
Kühlkörper	Abmessungen	277x120x27 mm	398x120x27 mm
	Rippenmaterial	Al	Al
Lüfter	Abmessungen	120x120x25 mm (2x)	120x120x25 mm
	Geschwindigkeit	550-2300 U/min ± 10 % (PWM: 20 - 100 %)	550-2300 U/min ± 10 % (PWM: 20 - 100 %)
	Luftstrom	72 CFM	72 CFM
	Lebensdauer	70.000 Stunden	70.000 Stunden
	Lärmpegel	36 dB	36 dB
	Lagertyp	Fluiddynamischer Lager	Fluiddynamischer Lager
	Lüfteranschluss	4-polig	4-polig
	Lüfter-Nennspannung	12 V	12 V
Pumpe	Abmessungen (mm)	82,3x69,2x61,6 mm	82,3x69,2x61,6 mm
	U/min	3100 U/MIN ± 10 % (PWM: 20-100%)	3100 U/MIN ± 10 % (PWM: 20-100%)
	Lebensdauer	70.000 Stunden	70.000 Stunden
	Lärmpegel	18,5 dB	18,5 dB
	Eingangsleistung	0,37 ± 10 % A	0,37 ± 10 % A

3. IN DIESEM PAKET ENTHALTEN

EK-Nucleus AIO CR240 Dark /
EK-Nucleus AIO CR360 Dark
(1x)



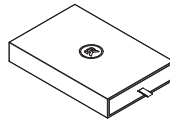
EK-FPT FAN 120ER Full Pressure Technology Lüfter
(2x / 3x - Anzahl der Lüfter ist abhängig von der AIO-Version)



Verlängerungskabel 500mm



Zubehörbox
(1x)



Benutzerhandbuch
(1x)



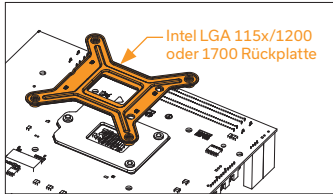
ZUBEHÖRBOX

Kreuzschlitzschraube UNC 6-32 x 30 mm (4 mm Gewindelänge) 8x / 12x		Kreuzschlitzschraube UNC 6-32 x 6 mm 8x / 12x	
Kreuzschlitzschraube UNC 6-32 x 34 mm 8x / 12x		Montageplatte Kreuzschlitz M3x4mm (zur Anbringung von Montagehalterungen) 4x	
Flügelbefestigungsschraube für Intel LGA 115x/LGA1200/ LGA1700/AMD AM4/AM5 Buchse 4x		Flügelbefestigungsschraube für Intel LGA 20XX Buchse 4x	
Flügelmutter (Intel / AMD) 4x		Feder 4x	
Intel LGA 115x/1200 Rückwand 1x		Intel LGA 1700 Rückwand 1x	
Intel Montagehalterung 1x		AMD Montagehalterung 1x	
Tube mit Wärmeleitpaste 1x		Werkzeug für Befestigungsschrauben 1x	

4. INSTALLATION – INTEL LGA 115X/1200/1700-BUCHSE

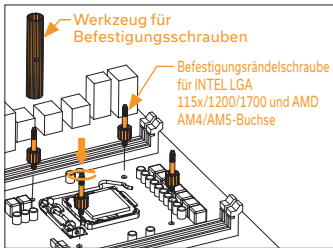
SCHRITT 1: ENTFERNEN DES MOTHERBOARDS

Wenn Ihr PC-Gehäuse keinen Ausschnitt von der unteren CPU-Seite des Motherboards hat, müssen Sie zuerst das Motherboard von Ihrem Computer entfernen.



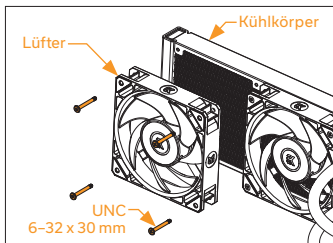
SCHRITT 2: BEFESTIGEN SIE DIE RÜCKWAND AM MOTHERBOARD

Installieren Sie die Intel-Rückwand für die LGA 115x/1200/1700-Buchse auf der Rückseite Ihres Motherboards. Wählen Sie die richtige Rückwand, je nachdem, welchen Chipsatz Sie verwenden. Richten Sie die Bohrungen auf dem Motherboard entsprechend den Bohrungen auf der Rückwand aus.



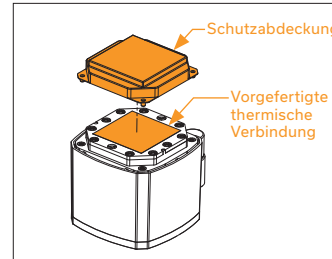
SCHRITT 3: BEFESTIGUNGSSCHRAUBEN ANBRINGEN

Installieren Sie mittels der 4x Flügelbefestigungsschrauben Ihr Mainboard an der Rückplatte. Die Schrauben können mit dem Montagewerkzeug angebracht werden. Verwenden Sie keine anderen Werkzeuge (z. B. Zangen), da Sie das Mainboard beschädigen könnten.



SCHRITT 4: EINBAU DER LÜFTER IN DES KÜHLKÖRPERS

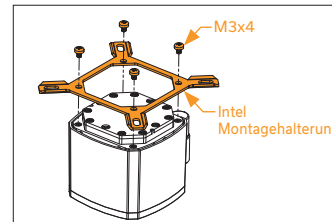
Befestigen Sie die Lüfter (2x oder 3x, je nach AIO-Version) mit den Schrauben UNC 6-32 x 30mm am Kühlkörper.



SCHRITT 5: ENTFERNEN DER KÜHLPLATTENSCHUTZFOLIE

Entfernen Sie die Schutzabdeckung von der Rückseite der Pumpeneinheit. Sie dient lediglich dazu, Schäden an der Kühlplatte und der bereits aufgetragenen Wärmeleitpaste auf der Kühlplatte zu vermeiden.

Beim Entfernen der Schutzabdeckung und bei der Installation muss darauf geachtet werden, dass die vorab aufgetragene Wärmeleitpaste nicht berührt oder beschädigt wird.



SCHRITT 6: ANBRINGUNG VON MONTAGEHALTERUNGEN

Verwenden Sie vier M3x4-Schrauben, um zwei Intel-Halterungen an der Pumpeneinheit anzubringen.

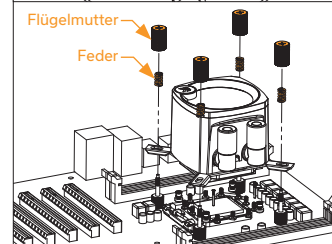
Es muss darauf geachtet werden, dass die vorab aufgetragene Wärmeleitpaste nicht berührt oder beschädigt wird.



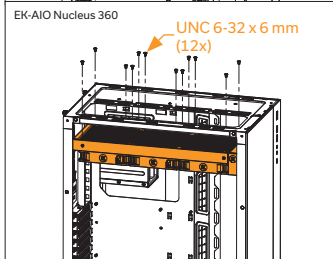
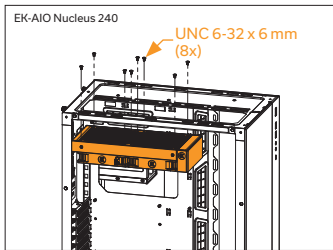
SCHRITT 7: INSTALLATION DER PUMPENEINHEIT

Wischen Sie die Kontaktfläche der CPU (Zentraleinheit) ab (mit einem nicht scheuernden Tuch oder einem Wattestäbchen, wie im Beispielbild gezeigt).

Richten Sie die Pumpeneinheit, wie in der Abbildung gezeigt, über den Befestigungsschrauben und der CPU aus.

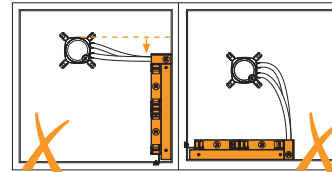


Legen Sie die beiliegenden Druckfedern und Flügelmuttern über die Befestigungsschrauben (4x). Ziehen Sie zunächst zwei Flügelmuttern hintereinander an, vorzugsweise überkreuz, und ziehen Sie sie erst dann fest, wenn alle teilweise eingeschraubt und etwas angezogen wurden.



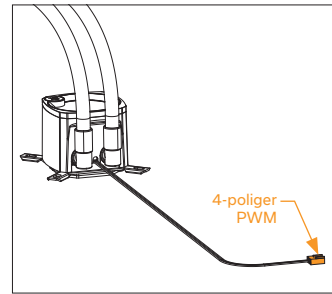
SCHRITT 8: EINBAU DER LÜFTER-BAUGRUPPE UND DES KÜHLERS IN EIN PC-GEHÄUSE

Befestigen Sie die Baugruppe aus Kühler und Lüfter mit den Schrauben UNC 6-32 x 6mm am PC-Gehäuse.

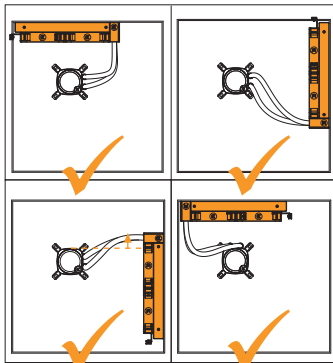


Vermeiden Sie eine vertikale Platzierung des Kühlers mit den Schläuchen oben. (Wenn die Kühlereinheit niedriger ist als die Pumpeneinheit.)

Kühlkörper unten vermeiden.



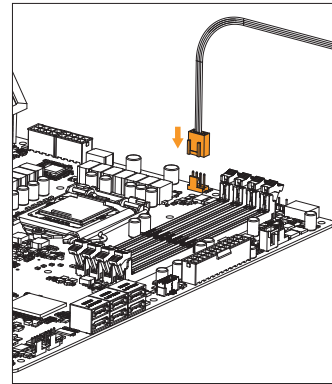
SCHRITT 9: PUMPENANSCHLUSSKABEL



Kühlkörper oben (empfohlen).

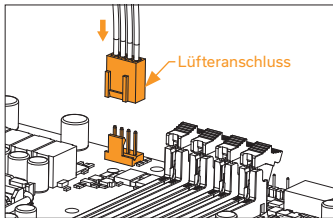
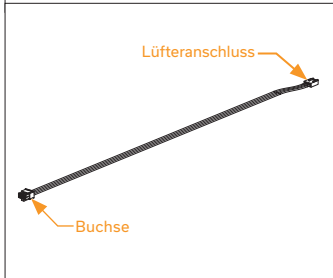
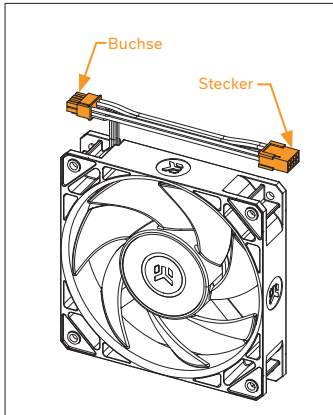
Vertikale Platzierung des Kühlkörpers mit Verrohrung nach unten (empfohlen).

Vertikale Platzierung des Kühlers mit den Schläuchen oben. (Die Kühlereinheit muss höher als die Pumpeneinheit sein.)



Schritt A:

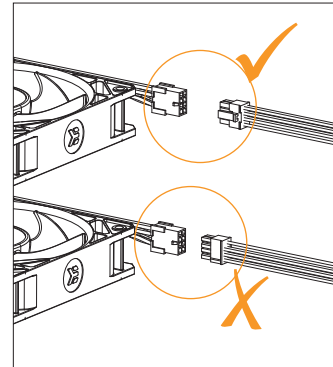
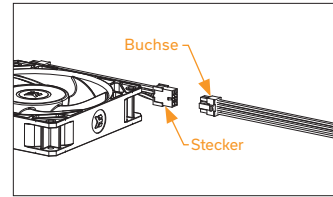
Verbinden Sie den 4-poligen PWM-Stecker der Pumpe mit dem Motherboard.



SCHRITT 10: LÜFTER – ANSCHLUSSKABEL

SCHRITT A:

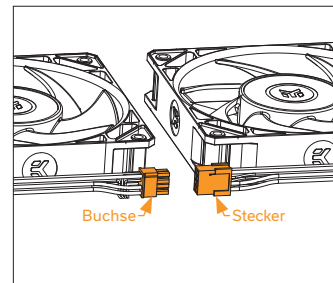
Verbinden Sie den 4-poligen PWM-Stecker des Verlängerungskabel direkt mit der CPU-Lüfter-Anschluss auf dem Motherboard. Verwenden Sie, wenn immer möglich, den CPU-Lüfterkopf.



SCHRITT B:

Verbinden Sie die Buchse des Verlängerungskabels mit dem Stecker des ersten Lüfters in der Reihe.

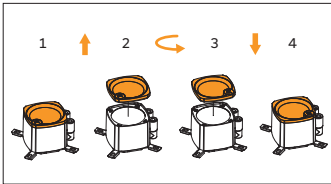
Achten Sie darauf, den Micro-Fit-Stecker richtig zu drehen.



SCHRITT C:

Bei der Variante EK-Nucleus AIO CR240 oder EK-Nucleus AIO CR360 den zweiten und dritten Lüfter mit der „Daisy-Chain“ hintereinander verbinden.

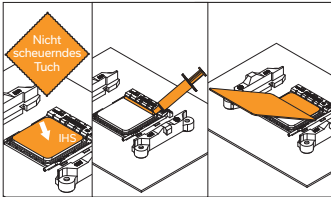
Achten Sie darauf, den Stecker richtig zu drehen.



SCHRITT 11: ORIENTIERUNG DER PUMPENEINHEIT OBEN

Heben Sie das Oberteil an, drehen Sie es, bis das EC-Logo richtig ausgerichtet ist, und legen Sie es wieder ab. Die Magnete halten die Oberseite an Ort und Stelle.

Herzliche Glückwünsche! Sie haben Ihr EK-Nucleus AIO erfolgreich installiert.

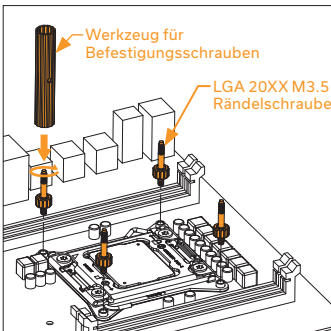


OPTIONALER SCHRITT! WÄRMELEITPASTE AUFTRAGEN

Dieser Schritt ist nur bei der zweiten Installation von AIO relevant oder wenn die vorab aufgebraachte Paste auf der Rückseite der Pumpeneinheit beschädigt wurde. Bei der Erstinstallation muss keine zusätzliche Wärmeleitpaste auf die Kontaktfläche der CPU aufgetragen werden.

Wischen Sie die Kontaktfläche der CPU ab (mit einem nicht scheuernden Tuch oder einem Wattestäbchen, wie im Beispielbild gezeigt). Tragen Sie auf ein sauberes IHS eine Linie Wärmeleitpaste auf und verteilen Sie sie mit einer Kreditkarte oder Ähnlichem auf dem gesamten CPU-Wärmespendler (IHS).

5. INSTALLATION - INTEL LGA 20XX-BUCHSE

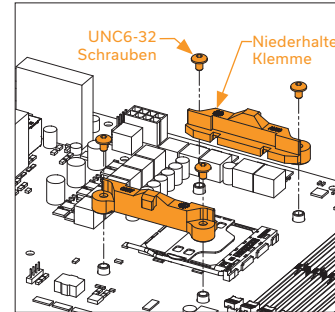


SCHRITT 1: BEFESTIGUNGSSCHRAUBEN ANBRINGEN (LGA 20XX)

LGA 20xx (2066/2011 V3/2011) Buchse
Mainboards erfordern keine Installation der Rückwand. Montieren Sie 4x LGA 20XX-Montagerändelschrauben in die M4-Gewindestützen an der LGA 20XX-Buchse mit integriertem Verriegelungsmechanismus (ILM). Die Schrauben können mit dem Montagewerkzeug angebracht werden. Verwenden Sie keine anderen Werkzeuge (z. B. Zangen), da Sie das Mainboard beschädigen könnten.

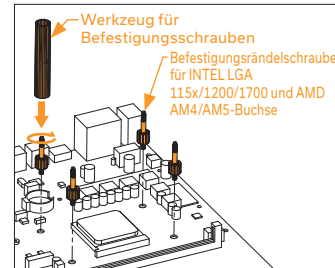
⚠ Setzen Sie die Installation fort, indem Sie den Anweisungen von SCHRITT 4 auf Seite 30 folgen!

6. INSTALLATION – AMD AM4/AM5 BUCHSE



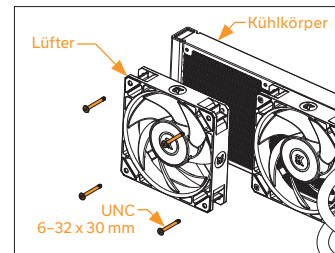
SCHRITT 1: ENTFERNEN DER ORIGINALEN

KUNSTSTOFFNIEDERHALTER (AMD)
Entfernen Sie mit einem Kreuzschlitzschraubendreher die UNC 6-32-Schrauben, mit denen die Original-Kunststoff-Niederhalterklammern, wie in der Abbildung gezeigt, an der Buchse befestigt sind. **Behalten Sie die Original-AMD®-Rückwand**, und entfernen Sie die Niederhalterklammern, um sie aufzubewahren. Siehe Bild, zur weiteren Teileidentifizierung.



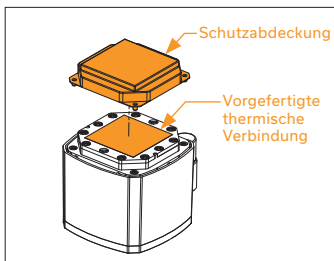
SCHRITT 2: BEFESTIGUNGSSCHRAUBEN ANBRINGEN (AMD)

Setzen Sie 4x Flügelsschraube für die AMD AM4/AM5-Buchse auf Ihrem Mainboard ein. Die Schrauben können mit dem Montagewerkzeug angebracht werden. Verwenden Sie keine anderen Werkzeuge (z. B. Zangen), da Sie das Mainboard beschädigen könnten.



SCHRITT 3: EINBAU DER LÜFTER IN DEN KÜHLKÖRPER (AMD)

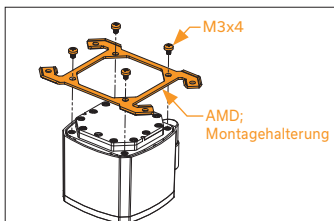
Befestigen Sie die Lüfter (2x oder 3x, je nach AIO-Version) mit den Schrauben UNC 6-32 x 30mm am Kühlkörper.



SCHRITT 4: ENTFERNEN DER KÜHLPLATTENSCHUTZFOLIE (AMD)

Entfernen Sie die Schutzabdeckung von der Rückseite der Pumpeneinheit. Sie dient lediglich dazu, Schäden an der Kühlplatte und der bereits aufgetragenen Wärmeleitpaste auf der Kühlplatte zu vermeiden.

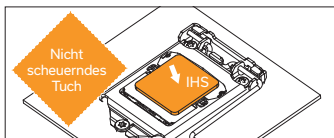
Beim Entfernen der Schutzabdeckung und bei der Installation muss darauf geachtet werden, dass die vorab aufgebraute Wärmeleitpaste nicht berührt oder beschädigt wird.



SCHRITT 5: ANBRINGUNG VON MONTAGEHALTERUNGEN (AMD)

Verwenden Sie vier M3x4-Schrauben, um die AMD-Halterung an der Pumpeneinheit anzubringen.

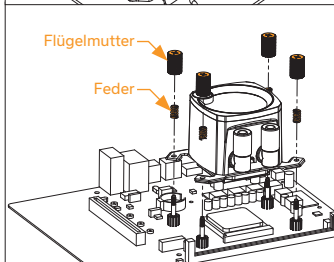
Es muss darauf geachtet werden, dass die vorab aufgebraute Wärmeleitpaste nicht berührt oder beschädigt wird.



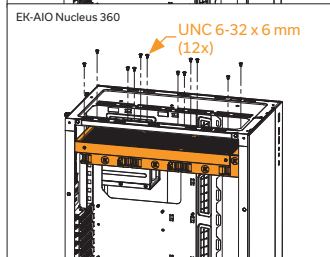
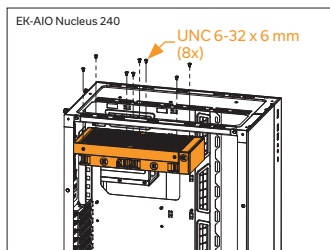
SCHRITT 6: INSTALLATION DER PUMPENEINHEIT (AMD)

Wischen Sie die Kontaktfläche der CPU (Zentraleinheit) ab (mit einem nicht scheuernden Tuch oder einem Wattestäbchen, wie im Beispielbild gezeigt).

Richten Sie die Pumpeneinheit, wie in der Abbildung gezeigt, über den Befestigungsschrauben und der CPU aus.

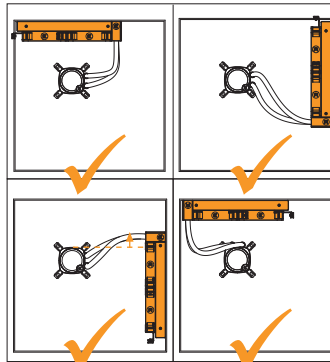


Legen Sie die beiliegenden Druckfedern und Flügelmutter über die Befestigungsschrauben (4x). Ziehen Sie zunächst zwei Flügelmutter hintereinander an, vorzugsweise überkreuzt, und ziehen Sie sie erst dann fest, wenn alle teilweise eingeschraubt und etwas angezogen wurden.



SCHRITT 7: EINBAU DER LÜFTERBAUGRUPPE UND DES KÜHLKÖRPERS IN EIN PC-GEHÄUSE (AMD)

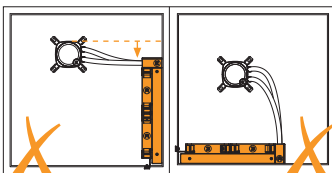
Befestigen Sie die Baugruppe aus Kühlkörper und Lüfter mit den Schrauben UNC 6-32 x 6mm am PC-Gehäuse.



Kühlkörper oben (empfohlen).

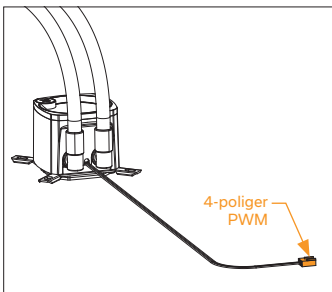
Vertikale Platzierung des Kühlkörpers mit Verrohrung nach unten (empfohlen).

Vertikale Platzierung des Kühlers mit den Schläuchen oben. (Die Kühlereinheit muss höher als die Pumpeneinheit sein.)

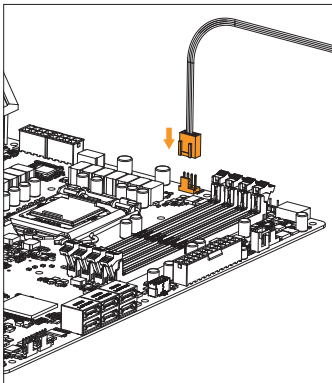


Vermeiden Sie eine vertikale Platzierung des Kühlers mit den Schläuchen oben. (Wenn die Kühlereinheit niedriger ist als die Pumpeneinheit.)

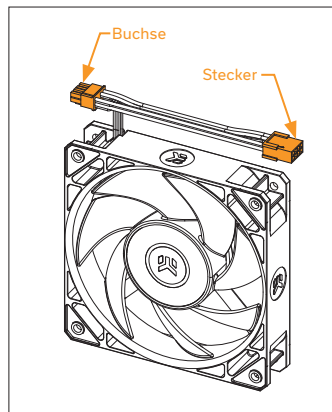
Kühlkörper unten vermeiden.



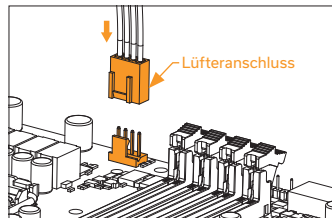
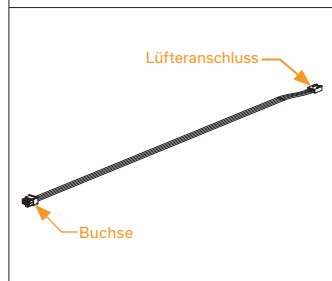
SCHRITT 8: PUMPENANSCHLUSSKABEL (AMD)



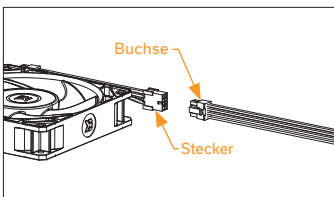
SCHRITT A:
Verbinden Sie den 4-poligen PWM-Stecker der Pumpe mit dem Motherboard.



SCHRITT 9: LÜFTER - VERBINDUNGSKABEL (AMD)

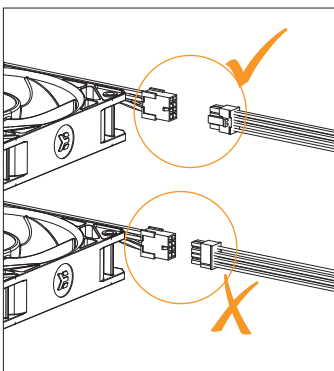


SCHRITT A:
Verbinden Sie den 4-poligen PWM-Stecker des Verlängerungskabel direkt mit der CPU-Lüfter-Anschluss auf dem Motherboard. Verwenden Sie, wenn immer möglich, den CPU-Lüfterkopf.

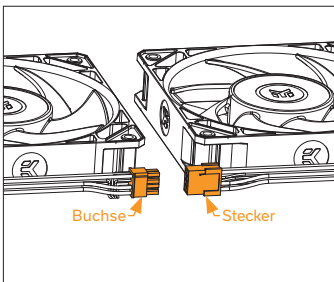


SCHRITT B:

Verbinden Sie die Buchse des Verlängerungskabels mit dem Stecker des ersten Lüfters in der Reihe.



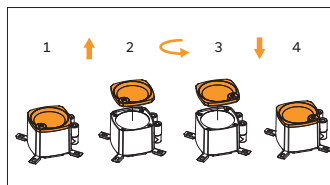
Achten Sie darauf, den Micro-Fit-Stecker richtig zu drehen.



SCHRITT C:

Bei der Variante EK-Nucleus AIO CR240 oder EK-Nucleus AIO CR360 den zweiten und dritten Lüfter mit der „Daisy-Chain“ hintereinander verbinden.

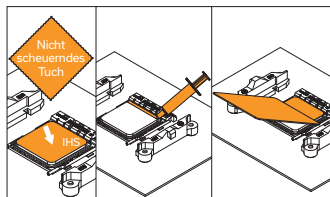
Achten Sie darauf, den Stecker richtig zu drehen.



SCHRITT 10: ORIENTIERUNG DER PUMPENEINHEIT OBEN (AMD)

Heben Sie das Oberteil an, drehen Sie es, bis das EC-Logo richtig ausgerichtet ist, und legen Sie es wieder ab. Die Magnete halten die Oberseite an Ort und Stelle.

Herzliche Glückwünsche! Sie haben Ihr EK-Nucleus AIO erfolgreich installiert.



OPTIONALER SCHRITT! WÄRMELEITPASTE AUFTRAGEN

Dieser Schritt ist nur bei der zweiten Installation von AIO relevant oder wenn die vorab aufgebrachte Paste auf der Rückseite der Pumpeneinheit beschädigt wurde. Bei der Erstinstallation muss keine zusätzliche Wärmeleitpaste auf die Kontaktfläche der CPU aufgetragen werden.

Wischen Sie die Kontaktfläche der CPU ab (mit einem nicht scheuernden Tuch oder einem Wattestäbchen, wie im Beispielbild gezeigt). Tragen Sie auf ein sauberes IHS eine Linie Wärmeleitpaste auf und verteilen Sie sie mit einer Kreditkarte oder Ähnlichem auf dem gesamten CPU-Wärmespender (IHS).

7. ALLGEMEINE SICHERHEITSHINWEISE

Erste-Hilfe-Maßnahmen im Falle von:

Hautkontakt mit Kühlmittel: Kontaminierte Kleidung ausziehen und gründlich mit viel fließendem Wasser oder normaler Kochsalzlösung abspülen. Wenn Symptome auftreten und andauern, suchen Sie einen Arzt auf.

Augenkontakt mit Kühlmittel: Sofort Ober- und Unterlider öffnen, mit fließendem Wasser oder normaler Kochsalzlösung ausspülen. Wenn die Reizung anhält, suchen Sie einen Arzt auf.

Einatmen des Kühlmittels: Begeben Sie sich an die frische Luft. Wenn Symptome auftreten und andauern, suchen Sie einen Arzt auf.

Verschlucken des Kühlmittels: Trinken Sie viel warmes Wasser und lösen Sie kein Erbrechen aus. Im Zweifelsfall oder bei Unwohlsein ist ein Arzt aufzusuchen.

Hautkontakt mit Wärmeleitpaste: Mindestens 15 Minuten lang gründlich mit Wasser und Seife waschen. Kontaminierte Kleidung muss sofort entfernt werden. Wenn die Reizung anhält, einen Arzt aufsuchen.

Augenkontakt mit Wärmeleitpaste: Mindestens 15 Minuten lang unter fließendem Wasser gründlich ausspülen. Wenn die Reizung anhält, suchen Sie einen Arzt auf.

Einatmen der Wärmeleitpaste: Beim Auftreten unerwünschter Wirkungen ist ein nicht kontaminierter Bereich aufzusuchen. Bei Atemstillstand ist sofort eine künstliche Beatmung durchzuführen. Sofortige ärztliche Hilfe in Anspruch nehmen.

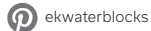
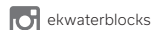
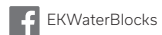
Verschlucken der Wärmeleitpaste: 2 große Gläser Wasser trinken. Kein Erbrechen herbeiführen. Wenn eine große Menge verschluckt wurde oder die Beschwerden anhalten, muss ein Arzt aufgesucht werden.

8. SUPPORT UND SERVICE

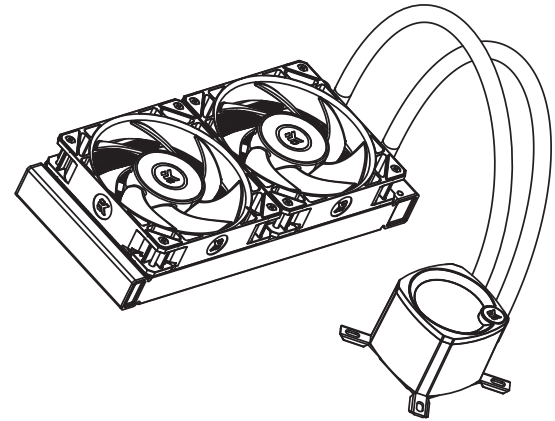
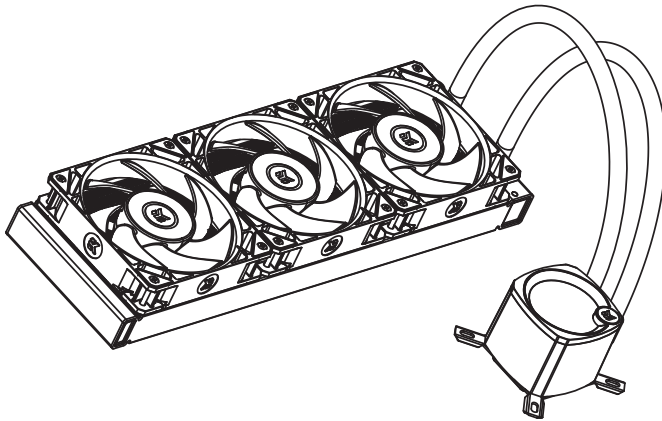
Für Hilfe wenden Sie sich bitte an: <http://support.ekwb.com/>

EKWB d.o.o.
Pod lipami 18
1218 Komenda
Slowenien – EU

9. SOZIALE MEDIEN



EK-Nucleus AIO CR360 Dark / CR240 Dark



¡Para garantizar una instalación segura y fácil, lea detenidamente este manual antes de comenzar con el proceso de instalación!

Compatible con:
CPUs con zócalo Intel 115X/1200/1700/20xx
CPUs con zócalo AMD AM4/AM5

TABLE DES MATIÈRES

1. PRECAUCIONES DE SEGURIDAD	40
2. ESPECIFICACIONES	40
3. ADJUNTO EN ESTE PAQUETE	41
CAJA DE ACCESORIOS	41
4. INSTALACIÓN – ZÓCALO LGA 115X/1200/1700 DE INTEL	42
PASO 1: RETIRADA DE LA PLACA BASE	42
PASO 2: FIJACIÓN DE LA PLACA POSTERIOR A LA PLACA BASE	42
PASO 3: COLOCACIÓN DE LOS TORNILLOS DE MONTAJE	42
PASO 4: INSTALACIÓN DE LOS VENTILADORES EN EL RADIADOR	42
PASO 5: RETIRADA DE LA LÁMINA PROTECTORA DE LA PLACA FRÍA	42
PASO 6: INSTALACIÓN DE LOS SOPORTES DE MONTAJE	42
PASO 7: INSTALACIÓN DE LA BOMBA	42
PASO 8: INSTALACIÓN DEL CONJUNTO DE VENTILADORES Y RADIADOR EN LA CARCASA DEL PC	43
PASO 9: BOMBA – CONEXIÓN DE LOS CABLES	43
PASO 10: VENTILADORES – CABLES DE CONEXIÓN	44
PASO 11: ORIENTACIÓN DE LA BOMBA EN LA PARTE SUPERIOR	45
¡PASO OPCIONAL! APLICACIÓN DEL COMPUESTO TÉRMICO	45
5. INSTALACIÓN – ZÓCALO LGA 20XX DE INTEL	45
PASO 1: COLOCACIÓN DE LOS TORNILLOS DE MONTAJE (LGA 20XX)	45
6. INSTALACIÓN – ZÓCALO AMD AM4/AM5	45
PASO 1: RETIRADA DE LAS ABRAZADERAS DE SUJECIÓN DE PLÁSTICO ORIGINALES (AMD)	45
PASO 2: COLOCACIÓN DE LOS TORNILLOS DE MONTAJE (AMD)	45
PASO 3: INSTALACIÓN DE LOS VENTILADORES EN EL RADIADOR (AMD)	45
PASO 4: RETIRADA DE LA LÁMINA PROTECTORA DE LA PLACA FRÍA (AMD)	46
PASO 5: INSTALACIÓN DE LOS SOPORTES DE SUJECIÓN (AMD)	46
PASO 6: INSTALACIÓN DE LA BOMBA (AMD)	46
PASO 7: INSTALACIÓN DEL CONJUNTO DE VENTILADORES Y RADIADOR EN LA CARCASA DEL PC (AMD)	46
PASO 8: BOMBA – CONEXIÓN DE LOS CABLES (AMD)	47
PASO 9: VENTILADORES – CONEXIÓN DE LOS CABLES (AMD)	47
PASO 10: ORIENTACIÓN DE LA BOMBA EN LA PARTE SUPERIOR (AMD)	48
¡PASO OPCIONAL! APLICACIÓN DEL COMPUESTO TÉRMICO	48
7. ADVERTENCIAS GENERALES DE SEGURIDAD	48
8. ASISTENCIA Y SERVICIO TÉCNICO	49
9. REDES SOCIALES	49

Siga las instrucciones de este manual para una correcta instalación. Una instalación incorrecta puede dañar de su equipo. EK Water Blocks no asume ninguna responsabilidad, expresa o implícita, por el uso de estos productos o su instalación. Las siguientes instrucciones están sujetas a cambios sin previo aviso. Por favor visite nuestro sitio Web en www.ekwb.com para obtener actualizaciones.

1. PRECAUCIONES DE SEGURIDAD

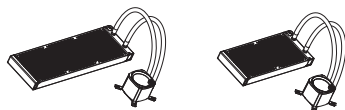
- Mantenga y guarde el producto fuera del alcance de los niños.
- Compruebe la lista de componentes y el estado del producto antes de la instalación. Si detecta algún problema, póngase en contacto con la tienda donde compró el producto para que se lo sustituyan o se lo reembolsen.
- EKWB d.o.o. no se hace responsable de ningún daño debido a causas externas, incluyendo pero no limitándose a: uso indebido, problemas con el suministro eléctrico, accidentes, negligencias, alteración, reparación, instalación incorrecta y pruebas inadecuadas.
- El procesador y la placa base están sujetas a daños si el producto no se instala correctamente.
- Una fuerza excesiva ejercida sobre el ventilador puede causar daños al ventilador y/o al sistema.
- Este producto es un kit de solución de refrigeración líquida de CPU, compuesto de piezas individuales originales de EKWB. Combinar esta unidad de refrigeración líquida con piezas, que no sean productos de EK Water Block, puede producir la pérdida de la garantía.
- El diseño y las especificaciones del producto se pueden revisar para mejorar su calidad y rendimiento.
- No haga funcionar la bomba por debajo del 20% de las RPM. La bomba debe permanecer en todo momento en un ciclo de trabajo del 20-100% PWM. Recomendamos que la bomba funcione siempre al 100%. (Para obtener ayuda sobre los ajustes para controlar el PWM, consulte las instrucciones de su placa base.)

2. ESPECIFICACIONES

Modelo		EK-Nucleus AIO CR240 Dark	EK-Nucleus AIO CR360 Dark
Radiador	Dimensiones	277x120x27 mm	398x120x27 mm
	Material de las aletas	Alu	Alu
Ventilador	Dimensiones	120x120x25 mm (2x)	120x120x25 mm (3x)
	Velocidad	550-2300 rpm ±10 % (PWM: 20-100 %)	550-2300 rpm ±10 % (PWM: 20-100 %)
	Flujo de aire	72 CFM	72 CFM
	Vida útil	70.000 horas	70.000 horas
	Nivel sonoro	36 dB	36 dB
	Tipo de rodamiento	Rodamiento dinámico fluido (FDB)	Rodamiento dinámico fluido (FDB)
	Conector del ventilador	4 pines	4 pines
Bomba	Tensión nominal del ventilador	12 V	12 V
	Dimensiones (mm)	82,3x69,2x61,6 mm	82,3x69,2x61,6 mm
	RPM	3100 RPM ±10% (PWM: 20-100%)	3100 RPM ±10% (PWM: 20-100%)
	Vida útil	70.000 horas	70.000 horas
	Nivel sonoro	18,5 dB	18,5 dB
Corriente de entrada	0,37 ±10% A	0,37 ±10% A	

3. ADJUNTO EN ESTE PAQUETE

EK-Nucleus AIO CR240 Dark /
EK-Nucleus AIO CR360 Dark
(1x)



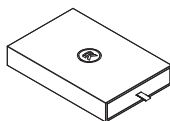
Ventilador EK-FPT FAN 120ER Full Pressure Technology
(2x / 3x - el número de ventiladores depende de la versión de enfriador AIO)



Cable de extensión 500 mm



Caja de accesorios
(1x)



Manual de usuario
(1x)



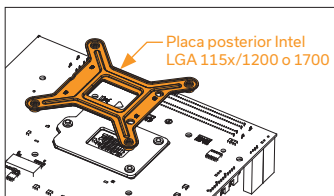
CAJA DE ACCESORIOS

Destornillador con punta Phillips UNC 6-32 x 30 mm (longitud de rosca de 4 mm) 8x /12x		Destornillador con punta Phillips UNC 6-32 x 6mm 8x /12x	
Destornillador con punta Phillips UNC 6-32 x 34mm 8x /12x		Tornillo de cabeza Phillips para la placa de montaje M3x4 mm (para la instalación de los soportes de montaje) 4x	
Tornillo de fijación de muletilla para el zócalo LGA 115x/LGA1200/LGA1700/AMD AM4/AM5 de Intel 4x		Tornillo de sujeción de muletilla para el zócalo LGA 20XX de Intel 4x	
Tuerca de mariposa (Intel /AMD) 4x		Muelle 4x	
Placa posterior LGA 115x/1200 de Intel 1x		Placa posterior LGA 1700 de Intel 1x	
Soporte de montaje Intel 1x		Soporte de montaje AMD 1x	
Tubo de pasta térmica 1x		Herramienta para los tornillos de montaje 1x	

4. INSTALACIÓN – ZÓCALO LGA 115X/1200/1700 DE INTEL

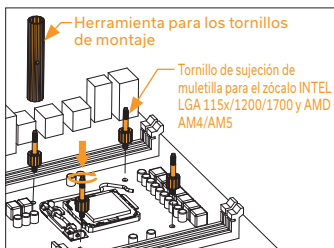
PASO 1: RETIRADA DE LA PLACA BASE

Si la carcasa de su ordenador no tiene recorte en el lado inferior del CPU de la placa base, primero deberá quitar la placa base de su ordenador.



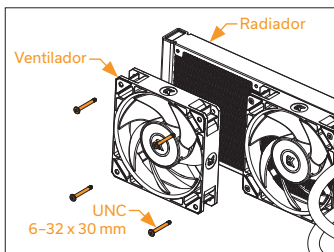
PASO 2: FIJACIÓN DE LA PLACA POSTERIOR A LA PLACA BASE

Instale la placa posterior de Intel para el zócalo LGA 115x/1200/1700 en la parte trasera de su placa base. Elija la placa posterior adecuada en función del grupo de chips que utilice. Alinee los orificios en la placa base con los de la placa posterior.



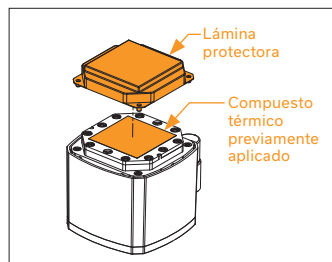
PASO 3: COLOCACIÓN DE LOS TORNILLOS DE MONTAJE

Instale los 4 tornillos de sujeción de muletilla a través de su placa base hasta la placa posterior. Los tornillos se pueden instalar utilizando la herramienta para los tornillos de montaje. No utilice otras herramientas (por ejemplo, alicates) ya que podría dañar la placa base.



PASO 4: INSTALACIÓN DE LOS VENTILADORES EN EL RADIADOR

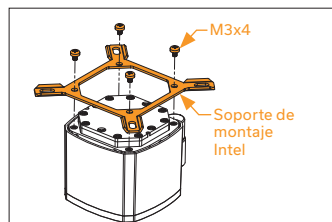
Monte los ventiladores (2x o 3x, ... según la versión del enfriador AIO) al radiador con los tornillos UNC 6-32 x 30 mm.



PASO 5: RETIRADA DE LA LÁMINA PROTECTORA DE LA PLACA FRÍA

Retire la lámina protectora de la parte posterior de la bomba. Esta lámina viene colocada para evitar daños a la placa fría y al compuesto térmico previamente aplicado en la placa fría.

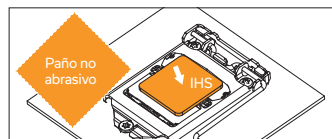
¡Al retirar la lámina protectora y continuar con la instalación, tenga cuidado de no tocar ni dañar el compuesto térmico previamente aplicado!



PASO 6: INSTALACIÓN DE LOS SOPORTES DE MONTAJE

Utilice 4 tornillos M3x4 para instalar el soporte Intel en la unidad de bomba.

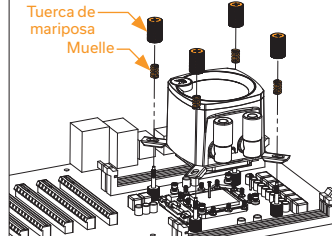
Tenga cuidado de no tocar ni dañar el compuesto térmico previamente aplicado.



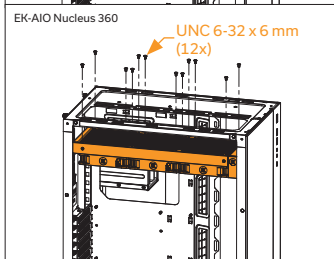
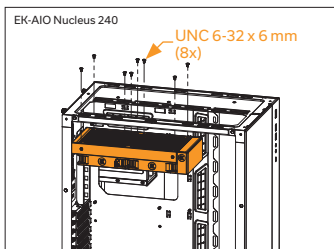
PASO 7: INSTALACIÓN DE LA BOMBA

Limpie la superficie de contacto de la CPU (mediante un paño no abrasivo o un bastoncillo tal y como se muestra en la imagen de ejemplo).

Alinee la bomba sobre los tornillos de montaje y el CPU tal y como se muestra en la imagen.

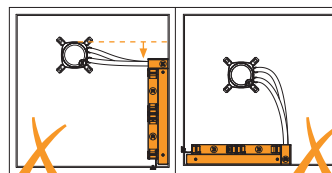


Coloque los muelles de compresión y las tuercas de muletilla adjuntos sobre los tornillos de sujeción (4x). Comience apretando dos tuercas de muletilla a la vez, preferiblemente siguiendo un orden en cruz, y no las apriete completamente hasta que todas estén parcialmente atornilladas.



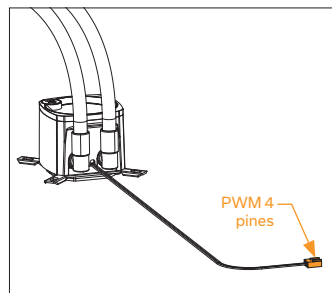
PASO 8: INSTALACIÓN DEL CONJUNTO DE VENTILADORES Y RADIADOR EN LA CARCASA DEL PC

Fije el conjunto del radiador y el/los ventilador(es) a la carcasa del ordenador con los tornillos UNC 6-32 x 6mm.

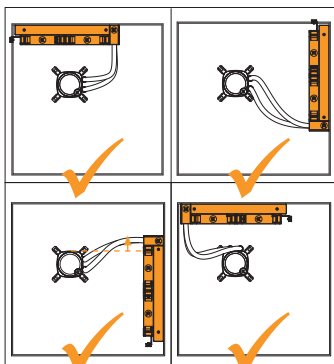


Evite colocar el radiador verticalmente con los tubos en la parte superior. (Si el depósito del radiador está más abajo que la unidad de bomba.)

Evitar colocar el radiador en el fondo.



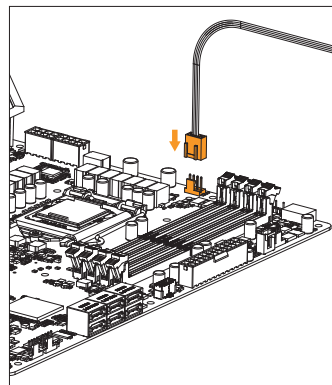
PASO 9: BOMBA – CONEXIÓN DE LOS CABLES



Radiador en la parte superior (recomendado).

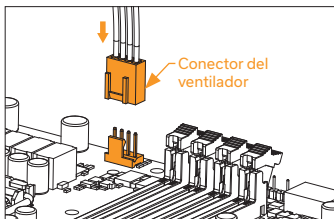
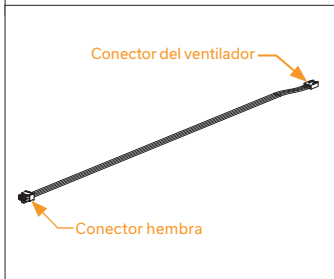
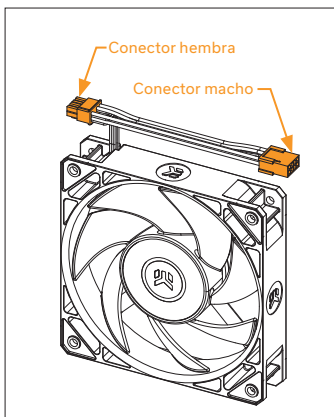
Colocación vertical del radiador con tubería en la parte inferior (recomendado).

Ubicación vertical del radiador, con los tubos en la parte superior. (El depósito del radiador debe estar más alto que la unidad de bomba.)



PASO A:

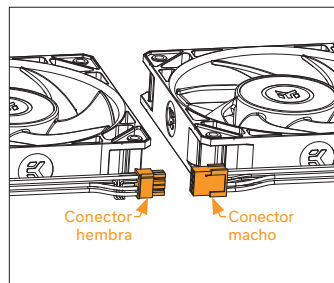
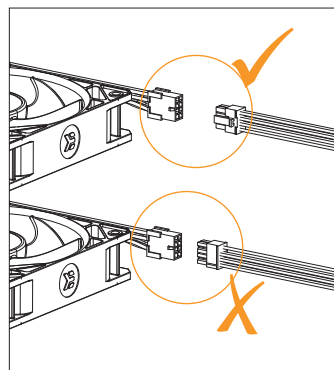
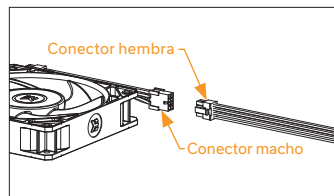
Enchufe el conector PWM de 4 pines de la bomba a la placa base.



PASO 10: VENTILADORES – CABLES DE CONEXIÓN

PASO A:

Conecte el conector del ventilador de 4 pines del cable de extensión directamente al enchufe del ventilador de la CPU en la placa base. Siempre que sea posible, utilice siempre el enchufe del ventilador de la CPU.



PASO B:

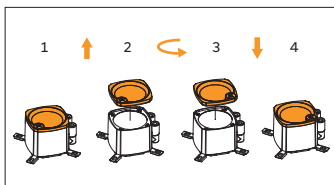
Conecte el conector hembra del cable de extensión al conector macho del primer ventilador de la línea.

Asegúrese de girar correctamente el conector micro-fit.

PASO C:

En el caso de la versión EK-Nucleus AIO CR240 o EK-Nucleus AIO CR360, conecte el segundo y el tercer ventilador en serie en un esquema de cableado "daisy-chain".

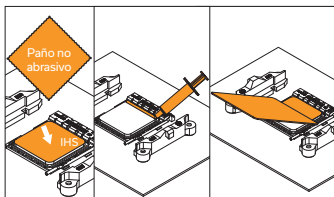
Asegúrese de girar correctamente el conector.



PASO 11: ORIENTACIÓN DE LA BOMBA EN LA PARTE SUPERIOR

Levante la parte superior, gírela hasta que el logotipo EK esté orientado correctamente y vuelva a colocarla. Los imanes mantendrán la parte superior en su posición correcta.

¡Enhorabuena! Ha instalado correctamente su EK-Nucleus AIO.

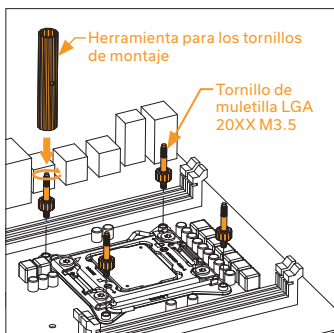


¡PASO OPCIONAL! APLICACIÓN DEL COMPUESTO TÉRMICO

Este paso es relevante solo en caso de que se realice una segunda instalación de un enfriador AIO o si ha dañado la pasta previamente aplicada en la parte posterior de la unidad de bomba. En la primera instalación no necesita aplicar el compuesto térmico adicional a la superficie de contacto de la CPU.

Limpie la superficie de contacto del CPU (mediante un paño no abrasivo o un bastoncillo tal y como se muestra en la imagen de ejemplo). En un IHS limpio, aplique una línea de compuesto térmico y extiéndalo sobre todo el disipador térmico del CPU (IHS) con una tarjeta de crédito o algo similar.

5. INSTALACIÓN - ZÓCALO LGA 20XX DE INTEL

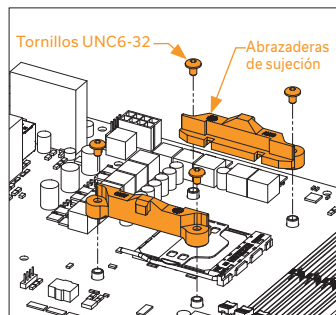


PASO 1: COLOCACIÓN DE LOS TORNILLOS DE MONTAJE (LGA 20XX)

Las placas base con zócalo LGA 20xx (2066/2011 V3/2011) no requieren la instalación de una placa posterior. Instale los 4 tornillos de sujeción de muletilla LGA-20XX en los extremos roscados M4 en el mecanismo de cierre integrado (ILM) del zócalo LGA-20XX. Los tornillos se pueden instalar utilizando la herramienta para los tornillos de montaje. No utilice otras herramientas (por ejemplo, alicates) ya que podría dañar la placa base.

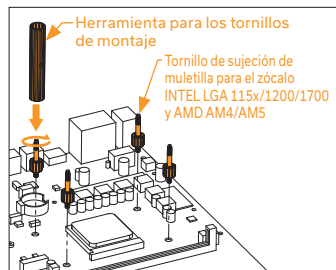
⚠ Continúe la instalación siguiendo las instrucciones del PASO 4 en la página 42!

6. INSTALACIÓN - ZÓCALO AMD AM4/AM5



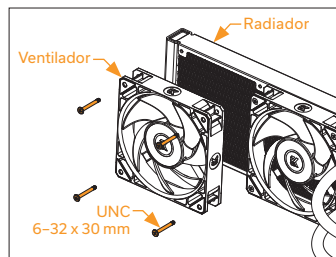
PASO 1: RETIRADA DE LAS ABRAZADERAS DE SUJECIÓN DE PLÁSTICO ORIGINALES (AMD)

Con un destornillador de punta Philips, retire los 4 tornillos UNC 6-32 que fijan las abrazaderas de sujeción de plástico originales alrededor del zócalo tal y como se muestra en la imagen. **Conserve la placa posterior original AMD®** y retire las abrazaderas de sujeción para guardarlas. Véase la imagen para una mayor identificación de la pieza.



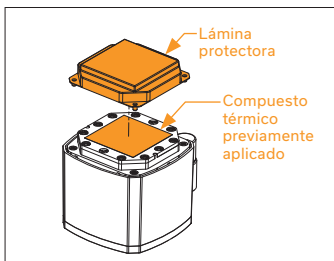
PASO 2: COLOCACIÓN DE LOS TORNILLOS DE MONTAJE (AMD)

Instale los 4 tornillos de sujeción de muletilla para el zócalo AMD AM4/AM5 en su placa base. Los tornillos se pueden instalar utilizando la herramienta para los tornillos de montaje. No utilice otras herramientas (por ejemplo, alicates) ya que podría dañar la placa base.



PASO 3: INSTALACIÓN DE LOS VENTILADORES EN EL RADIADOR (AMD)

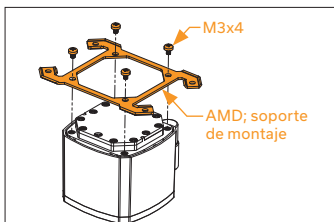
Monte los ventiladores (2x o 3x, ... según la versión del enfriador AIO) al radiador con los tornillos UNC 6-32 x 30 mm.



PASO 4: RETIRADA DE LA LÁMINA PROTECTORA DE LA PLACA FRÍA (AMD)

Retire la lámina protectora de la parte posterior de la bomba. Esta lámina viene colocada para evitar daños a la placa fría y al compuesto térmico previamente aplicado en la placa fría.

Al retirar la lámina protectora y continuar con la instalación, tenga cuidado de no tocar ni dañar el compuesto térmico previamente aplicado.



PASO 5: INSTALACIÓN DE LOS SOPORTES DE SUJECCIÓN (AMD)

Utilice 4 tornillos M3x4 para instalar el soporte AMD en la unidad de bomba.

Tenga cuidado de no tocar ni dañar el compuesto térmico previamente aplicado.

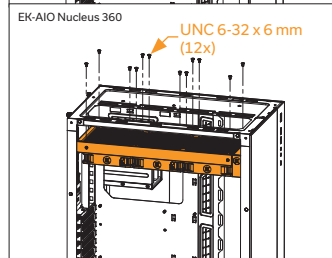
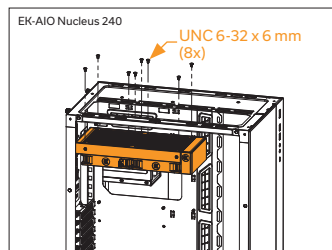
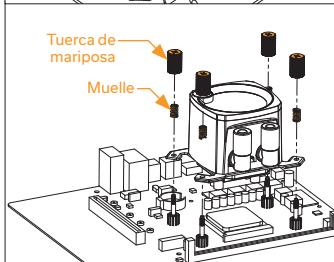


PASO 6: INSTALACIÓN DE LA BOMBA (AMD)

Limpie la superficie de contacto de la CPU (mediante un paño no abrasivo o un bastoncillo tal y como se muestra en la imagen de ejemplo).

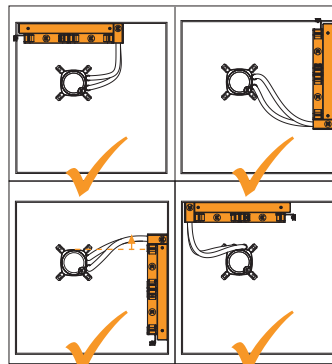
Alinee la bomba sobre los tornillos de montaje y el CPU tal y como se muestra en la imagen.

Coloque los muelles de compresión y las tuercas de muletilla adjuntos sobre los tornillos de sujeción (4x). Comience apretando dos tuercas de muletilla a la vez, preferiblemente siguiendo un orden en cruz, y no las apriete completamente hasta que todas estén parcialmente atornilladas.



PASO 7: INSTALACIÓN DEL CONJUNTO DE VENTILADORES Y RADIADOR EN LA CARCASA DEL PC (AMD)

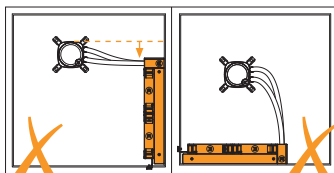
Fije el conjunto del radiador y el/los ventilador(es) a la carcasa del ordenador con los tornillos UNC 6-32 x 6 mm.



Radiador en la parte superior (recomendado).

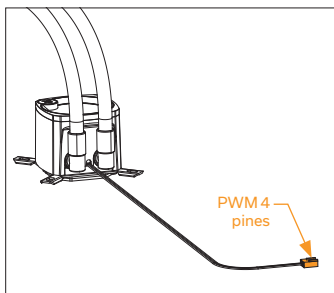
Colocación vertical del radiador con tubería en la parte inferior (recomendado).

Ubicación vertical del radiador, con los tubos en la parte superior. (El depósito del radiador debe estar más alto que la unidad de bomba.)

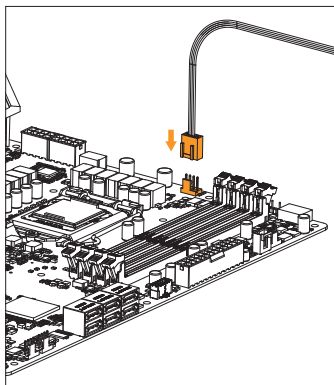


Evite colocar el radiador verticalmente con los tubos en la parte superior. (Si el depósito del radiador está más abajo que la unidad de bomba.)

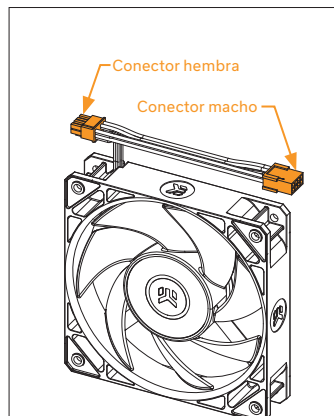
Evitar colocar el radiador en el fondo.



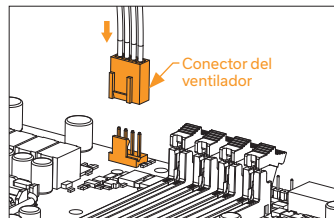
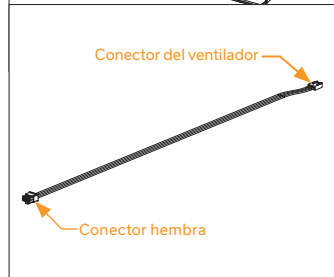
PASO 8: BOMBA – CONEXIÓN DE LOS CABLES (AMD)



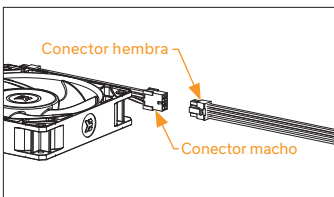
PASO A:
Enchufe el conector PWM de 4 pines de la bomba a la placa base.



PASO 9: VENTILADORES – CONEXIÓN DE LOS CABLES (AMD)

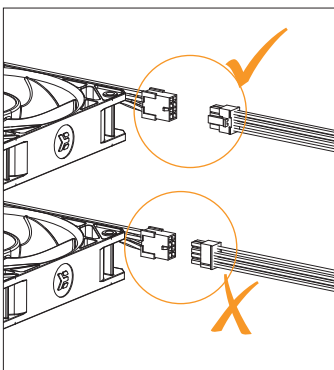


PASO A:
Conecte el conector del VENTILADOR de 4 pines del cable de extensión directamente al enchufe del ventilador de la CPU en la placa base. Siempre que sea posible, utilice el enchufe del ventilador de la CPU.

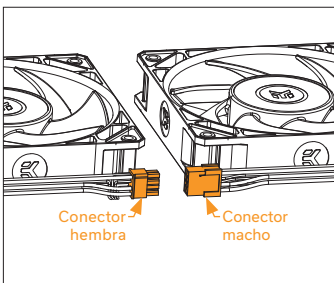


PASO B:

Conecte el conector hembra del cable de extensión al conector macho del primer ventilador de la línea.



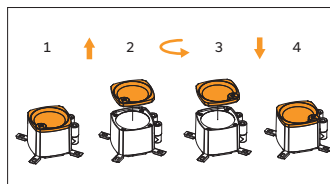
Asegúrese de girar correctamente el conector micro-fit.



PASO C:

En el caso de la versión EK-Nucleus AIO CR240 o EK-Nucleus AIO CR360, conecte el segundo y el tercer ventilador en serie en un esquema de cableado "daisy-chain".

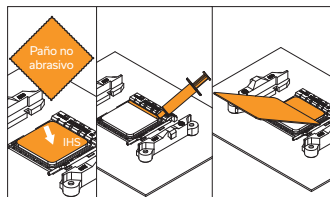
Asegúrese de girar correctamente el conector.



PASO 10: ORIENTACIÓN DE LA BOMBA EN LA PARTE SUPERIOR (AMD)

Levante la parte superior, gírela hasta que el logotipo EK esté orientado correctamente y vuelva a colocarla. Los imanes mantendrán la parte superior en su posición correcta.

¡Enhorabuena! Ha instalado correctamente su EK-Nucleus AIO.



¡PASO OPCIONAL! APLICACIÓN DEL COMPUESTO TÉRMICO

Este paso es relevante solo en caso de que se realice una segunda instalación de un enfriador AIO o si ha dañado la pasta previamente aplicada en la parte posterior de la unidad de bomba. ¡En la primera instalación no necesita aplicar el compuesto térmico adicional a la superficie de contacto de la CPU!

Limpie la superficie de contacto del CPU (mediante un paño no abrasivo o un bastoncillo tal y como se muestra en la imagen de ejemplo). En un IHS limpio, aplique una línea de compuesto térmico y extiéndalo sobre todo el disipador térmico del CPU (IHS) con una tarjeta de crédito o algo similar.

7. ADVERTENCIAS GENERALES DE SEGURIDAD

Medidas de primeros auxilios en caso de:

Exposición de la piel al refrigerante: Quitar la ropa contaminada y enjuagarla bien con abundante agua corriente o con un enjuague salino normal. Si los síntomas se agravan y persisten, buscar asistencia médica profesional.

Exposición de los ojos al refrigerante: Abrir inmediatamente los párpados superiores e inferiores, enjuagar con agua corriente o con solución salina normal. Si la irritación persiste, buscar asistencia médica profesional.

Inhalación del refrigerante: Alejarse del lugar y salir a un lugar bien ventilado. Si los síntomas se agravan y persisten, buscar asistencia médica profesional.

Ingestión del refrigerante: Beber abundante agua caliente y no inducir el vómito. En caso de duda o si se siente mal, buscar asistencia médica profesional.

Exposición de la piel a la pasta térmica: Lavar bien la zona afectada con agua y jabón durante un mínimo de 15 minutos. Quitar inmediatamente la ropa contaminada. Si la irritación persiste, buscar asistencia médica.

Exposición de los ojos a la pasta térmica: Lavar los ojos con abundante agua corriente por lo menos durante 15 minutos. Si la irritación persiste, buscar asistencia médica profesional.

Inhalación de la pasta térmica: Si aparecen efectos adversos, salir a un lugar no contaminado. Si se deja de respirar, proporcionar inmediatamente respiración artificial. Buscar inmediatamente asistencia médica.

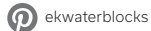
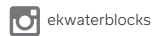
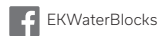
Ingestión de la pasta térmica: Beber 2 vasos grandes de agua. No inducir el vómito. Si se ha ingerido una gran cantidad, o si el malestar persiste, buscar asistencia médica profesional.

8. ASISTENCIA Y SERVICIO TÉCNICO

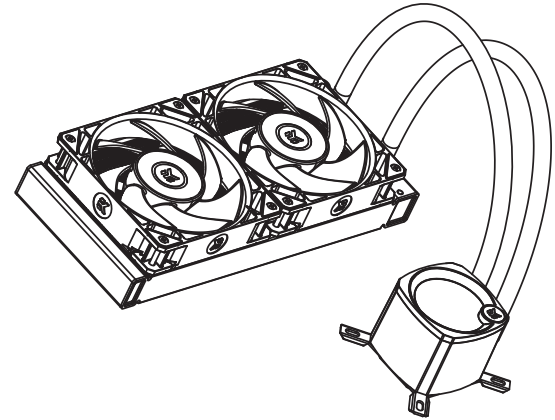
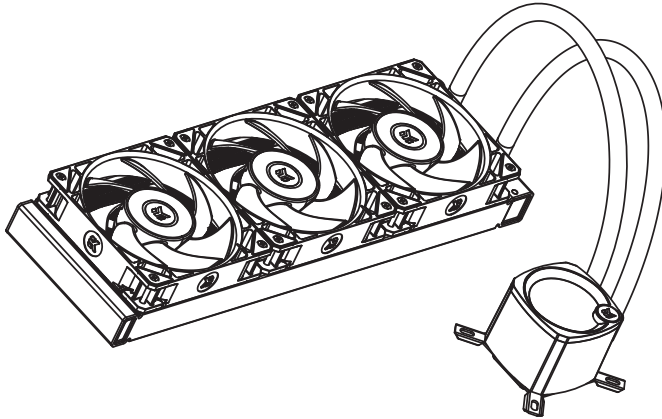
Para obtener asistencia, póngase en contacto con: <http://support.ekwb.com/>

EKWB d.o.o.
Pod lipami 18
1218 Komenda
Eslovenia - UE

9. REDES SOCIALES



EK-Nucleus AIO CR360 Dark / CR240 Dark



Pour assurer une installation facile en toute sécurité, veuillez lire attentivement ce manuel avant d'aborder l'installation !

Compatible avec :
Le support du processeur 115X/1200/1700/20xx
Le support du processeur AMD AM4/AM5

TABLE DES MATIÈRES

1. CONSIGNES DE SÉCURITÉ.....	52
2. SPÉCIFICATIONS.....	52
3. CONTENU DE L'EMBALLAGE.....	53
BOÎTE À ACCESSOIRES.....	53
4. INSTALLATION – SUPPORT DU PROCESSEUR INTEL LGA 115X/1200/1700.....	54
ÉTAPE 1 : RETRAIT DE LA CARTE MÈRE.....	54
ÉTAPE 2 : FIXATION DE LA PLAQUE ARRIÈRE À LA CARTE MÈRE.....	54
ÉTAPE 3 : FIXATION DES VIS DE MONTAGE.....	54
ÉTAPE 4 : FIXATION DES VENTILATEURS SUR LE RADIATEUR.....	54
ÉTAPE 5 : RETRAIT DE LA FEUILLE DE PROTECTION DE LA PLAQUE FROIDE.....	54
ÉTAPE 6 : FIXATION DES SUPPORTS DE MONTAGE.....	54
ÉTAPE 7 : FIXATION DE LA POMPE.....	54
ÉTAPE 8 : FIXATION DE L'ENSEMBLE DES VENTILATEURS ET DU RADIATEUR SUR UN BOÎTIER D'ORDINATEUR.....	55
ÉTAPE 9 : POMPE - BRANCHEMENT DES CÂBLES.....	55
ÉTAPE 10 : VENTILATEURS - CÂBLES DE CONNEXION.....	56
ÉTAPE 11 : ORIENTATION DU DESSUS DE LA POMPE.....	57
ÉTAPE FACULTATIVE ! APPLICATION DU COMPOSANT THERMIQUE.....	57
5. INSTALLATION – INTEL LGA 20XX SOCKET.....	57
ÉTAPE 1 : FIXATION DES VIS DE MONTAGE (LGA 20XX).....	57
6. FIXATION DU SUPPORT DU PROCESSEUR AMD AM4/AM5.....	57
ÉTAPE 1 : RETRAIT DES SUPPORTS D'ORIGINE EN PLASTIQUE (AMD).....	57
ÉTAPE 2 : FIXATION DES VIS DE MONTAGE (AMD).....	57
ÉTAPE 3 : FIXATION DES VENTILATEURS SUR LE RADIATEUR (AMD).....	57
ÉTAPE 4 : RETRAIT DE LA FEUILLE DE PROTECTION DE LA PLAQUE FROIDE (AMD).....	58
ÉTAPE 5 : FIXATION DES SUPPORTS DE MONTAGE (AMD).....	58
ÉTAPE 6 : FIXATION DE LA POMPE (AMD).....	58
ÉTAPE 7 : FIXATION DE L'ENSEMBLE DES VENTILATEURS ET DU RADIATEUR SUR UN BOÎTIER D'ORDINATEUR (AMD).....	58
ÉTAPE 8 : POMPE - BRANCHEMENT DES CÂBLES (AMD).....	59
ÉTAPE 9 : VENTILATEURS - CÂBLES DE CONNEXION (AMD).....	59
ÉTAPE 10 : ORIENTATION DU DESSUS DE LA POMPE (AMD).....	60
ÉTAPE FACULTATIVE ! APPLICATION DU COMPOSANT THERMIQUE.....	60
7. CONSIGNES DE SÉCURITÉ GÉNÉRALES.....	60
8. ASSISTANCE ET SERVICE.....	61
9. RÉSEAUX SOCIAUX.....	61

Veillez suivre les instructions de ce manuel pour une installation correcte. Une installation incorrecte peut endommager votre équipement. La société EK Water Blocks n'assume aucune responsabilité, explicite ou implicite, quant à l'utilisation de ces produits ou à leur installation. Les instructions suivantes sont sujettes à des modifications sans préavis. Veuillez consulter notre site Web à l'adresse www.ekwb.com pour les mises à jour.

1. CONSIGNES DE SÉCURITÉ

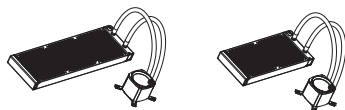
1. Conservez et rangez le produit hors de la portée des enfants.
2. Vérifiez la liste des composants et l'état du produit avant le montage. En cas de problèmes, veuillez contacter le magasin où vous avez acheté le produit pour le remplacer ou être remboursé.
3. La société EKWB d.o.o. n'est pas responsable des dommages dus à des causes externes, y compris, mais sans s'y limiter : utilisation incorrecte, problèmes d'alimentation électrique, accident, négligence, modification, réparation, montage incorrect et tests incorrects.
4. Le processeur et la carte mère risquent d'être endommagés si le montage n'est pas effectué correctement.
5. Une force excessive effectuée sur le ventilateur peut entraîner des dommages au ventilateur et/ou au système.
6. Ce produit est un kit de solution de refroidissement liquide pour processeur composé de pièces individuelles d'origine appartenant à la société EKWB. La combinaison de cette unité de refroidissement liquide avec des pièces, autres que les produits EK Water Blocks, peut entraîner la perte de garantie.
7. La conception et les spécifications du produit peuvent être révisées, afin d'améliorer sa qualité et ses performances.
8. Vous ne devez pas faire fonctionner la pompe à moins de 20 % de tr/m. La pompe doit rester à tout moment dans un cycle de fonctionnement MLI de 20 à 100 %. Nous vous recommandons de toujours faire fonctionner la pompe à 100 %. (Pour obtenir de l'aide sur la façon de contrôler le PWM, veuillez vous référer aux instructions de votre carte mère.)

2. SPÉCIFICATIONS

Modèle		EK-Nucleus AIO CR240 Dark	EK-Nucleus AIO CR360 Dark
Radiateur	Dimensions	277x120x27 mm	398x120x27 mm
	Matériau des ailettes	IA	IA
Ventilateur	Dimensions	120 x 120 x 25 mm (2x)	120 x 120 x 25 mm (3x)
	Vitesse	550-2 300 tr/min ±10 % (MLI : 20-100 %)	550-2 300 tr/min ±10 % (MLI : 20-100 %)
	Débit d'air	72 CFM	72 CFM
	Espérance de vie	70 000 heures	70 000 heures
	Niveau sonore	36 dB	36 dB
	Type de roulement	Roulement de palier fluide dynamique	Roulement de palier fluide dynamique
	Connecteur de ventilateur	4 broches	4 broches
Pompe	Tension nominale du ventilateur	12 V	12 V
	Dimensions (mm)	82,3 x 69,2 x 61,6 mm	82,3 x 69,2 x 61,6 mm
	Régime	3 100 tr/min ±10 % (MLI : 20-100 %)	3 100 tr/min ±10 % (MLI : 20-100 %)
	Espérance de vie	70 000 heures	70 000 heures
	Niveau sonore	18,5 dB	18,5 dB
	Courant d'entrée	0,37 ±10 % A	0,37 ±10 % A

3. CONTENU DE L'EMBALLAGE

EK-Nucleus AIO CR240 Dark /
EK-Nucleus AIO CR360 Dark
(1x)



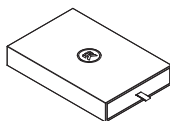
Ventilateur EK-FPT FAN 120ER Full Pressure Technology
(2x / 3x - le nombre de ventilateurs dépend de la version du
système de refroidissement tout-en-un)



Câble d'extension de 500 mm



Boîte à accessoires
(1x)



Instructions de montage
(1x)



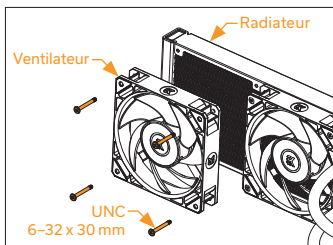
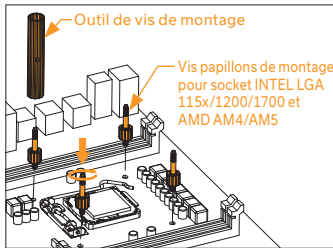
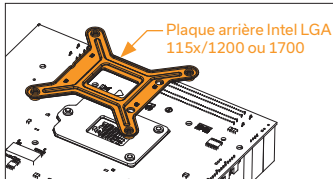
BOÎTE À ACCESSOIRES

Vis Phillips UNC 6-32 x 30 mm (longueur de filetage : 4 mm) 8x /12x		Vis Phillips UNC 6-32 x 6 mm 8x /12x	
Vis Phillips UNC 6-32 x 34 mm 8x /12x		Vis pour la plaque de montage Phillips M3x4mm (pour l'installation des supports de montage) 4x	
Vis de fixation pour le support du processeur Intel LGA 115x/ LGA1200/LGA1700/AMD AM4/AM5 4x		Vis papillon pour le support du processeur Intel LGA 20XX 4x	
Écrou à ailettes (Intel /AMD) 4x		Ressort 4x	
Plaque arrière Intel LGA 115x/1200 1x		Plaque arrière Intel LGA 1700 1x	
Support de montage Intel 1x		Support de montage AMD 1x	
Tube de pâte thermique 1x		Outil de vis de montage 1x	

4. INSTALLATION – SUPPORT DU PROCESSEUR INTEL LGA 115X/1200/1700

ÉTAPE 1 : RETRAIT DE LA CARTE MÈRE

Si le boîtier de votre ordinateur ne dispose pas de découpe du côté inférieur du processeur de la carte mère, vous devez retirer la carte mère de votre ordinateur.



ÉTAPE 2 : FIXATION DE LA PLAQUE ARRIÈRE À LA CARTE MÈRE

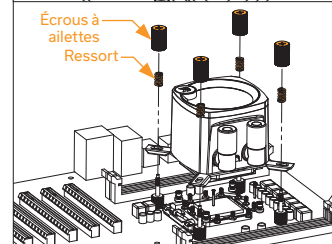
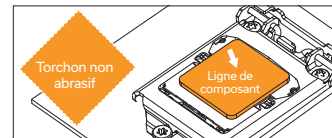
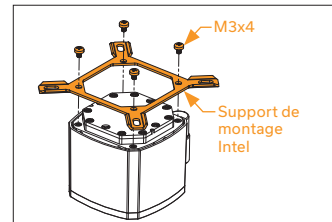
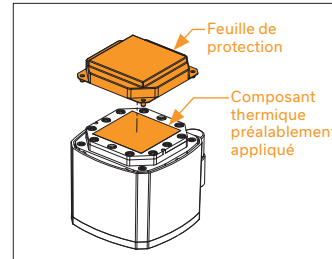
Fixez la plaque arrière Intel pour le support du processeur LGA-115x/1200/1700 à l'arrière de votre carte mère. Choisissez la bonne plaque arrière en fonction du chipset que vous utilisez. Alignez les trous de la carte mère par rapport aux trous de la plaque arrière.

ÉTAPE 3 : FIXATION DES VIS DE MONTAGE

Fixez les 4 vis papillons à travers la carte mère jusqu'à la plaque arrière. Les vis peuvent être installées à l'aide de l'outil de vis de montage. N'utilisez pas d'autres outils (comme des pinces) sous risque d'endommagement de la carte mère.

ÉTAPE 4 : FIXATION DES VENTILATEURS SUR LE RADIATEUR

Fixez les ventilateurs (2 ou 3 selon la version du système de refroidissement tout-en-un) sur le radiateur à l'aide des vis UNC 6-32 x 30 mm.



ÉTAPE 5 : RETRAIT DE LA FEUILLE DE PROTECTION DE LA PLAQUE FROIDE

Retirez le couvercle de protection à l'arrière du groupe de pompage. Il sert à éviter d'endommager la plaque froide et le composant thermique préappliqué sur la plaque froide.

Lors du retrait de la feuille de protection et de l'installation, prenez garde de ne pas toucher, ni endommager le composant thermique préappliqué !

ÉTAPE 6 : FIXATION DES SUPPORTS DE MONTAGE

Utilisez 4x vis M3x4 pour fixer le support Intel sur le groupe de pompage.

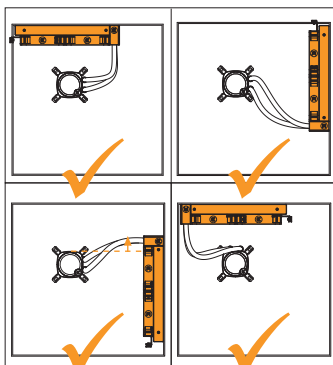
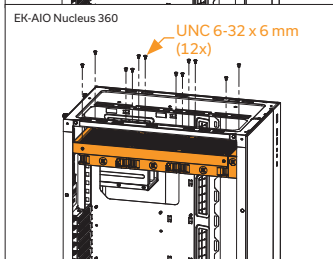
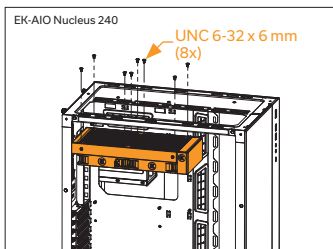
Prenez garde de ne pas toucher, ni endommager le composant thermique préappliqué.

ÉTAPE 7 : FIXATION DE LA POMPE

Essuyez la surface de contact du processeur (à l'aide d'un chiffon non abrasif ou d'un bâtonnet ouaté comme indiqué sur la figure).

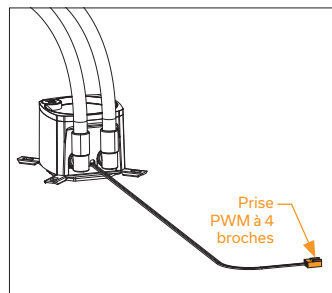
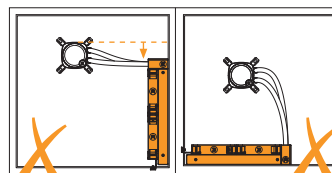
Alignez la pompe par rapport aux vis de montage et au processeur comme indiqué sur la figure.

Placez les ressorts de compression et les écrous à ailettes fournis sur les vis de montage (4x). Commencez à serrer deux écrous à ailettes à la fois, de préférence en croix, mais ne les serrez pas complètement jusqu'à ce que tous les écrous soient partiellement vissés.



ÉTAPE 8 : FIXATION DE L'ENSEMBLE DES VENTILATEURS ET DU RADIATEUR SUR UN BOÎTIER D'ORDINATEUR

Fixez l'ensemble composé par le radiateur et le(s) ventilateur(s) sur le boîtier de l'ordinateur à l'aide des vis UNC 6-32 x 6 mm.



Évitez de placer verticalement le radiateur avec la tubulure sur le dessus. (Si le réservoir du radiateur est plus bas que l'unité de pompe.)

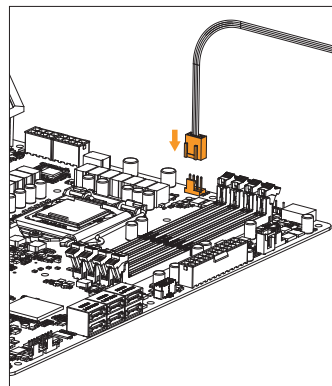
Évitez de positionner le radiateur vers le bas.

ÉTAPE 9 : POMPE - BRANCHEMENT DES CÂBLES

Radiateur sur le dessus (recommandé).

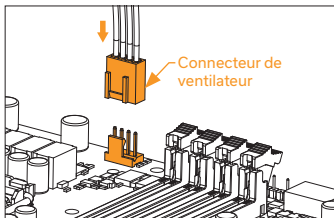
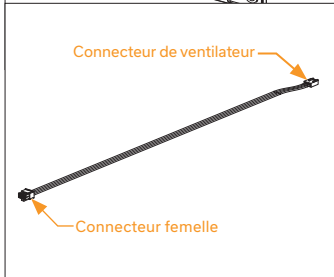
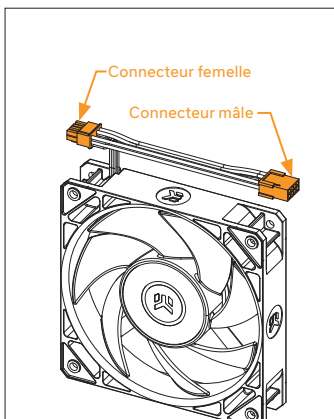
Positionnement vertical du radiateur avec le tube orienté vers le bas (recommandé).

Placement vertical du radiateur sur le dessus. (Le réservoir du radiateur doit être plus haut que l'unité de pompe.)



ÉTAPE A:

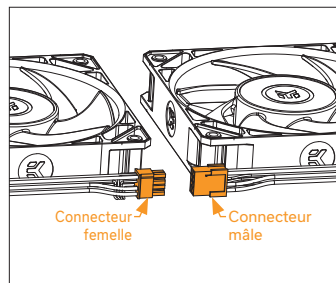
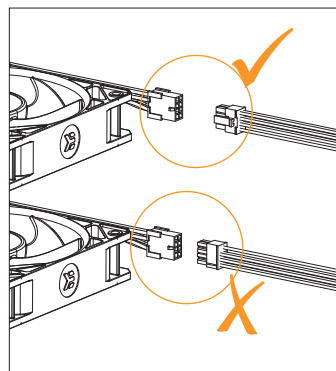
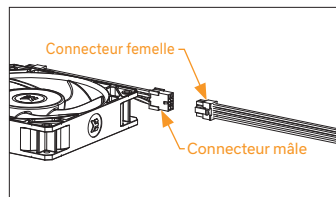
Branchez le connecteur MLI à 4 broches de la pompe à la carte mère.



ÉTAPE 10 : VENTILATEURS - Câbles DE CONNEXION

ÉTAPE A:

Branchez le connecteur du ventilateur à 4 broches du câble d'extension directement sur la prise du ventilateur du processeur sur la carte mère. Utilisez toujours la prise du ventilateur du processeur si possible.



ÉTAPE B:

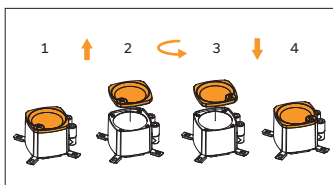
Connectez le connecteur femelle du câble d'extension au connecteur mâle du premier ventilateur en ligne.

Veillez à tourner correctement le connecteur micro-fit.

ÉTAPE C:

Dans le cas de la version EK-Nucleus AIO CR240 ou EK-Nucleus AIO CR260, connectez le deuxième et le troisième ventilateur en série à l'aide de la « connexion en série ».

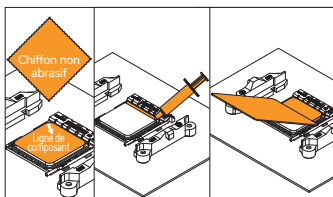
Veillez à tourner correctement le connecteur.



ÉTAPE 11 : ORIENTATION DU DESSUS DE LA POMPE

Relevez la partie supérieure, faites-la pivoter jusqu'à ce que le logo EK soit orienté correctement, puis reposez-la. Les aimants maintiendront le couvercle en place.

Félicitations ! Vous avez installé avec succès votre unité EK-Nucleus AIO.

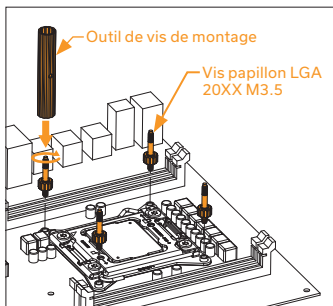


ÉTAPE FACULTATIVE ! APPLICATION DU COMPOSANT THERMIQUE

Cette étape n'est pertinente que pour la deuxième installation d'AIO ou si vous avez endommagé la pâte appliquée au préalable à l'arrière du groupe de pompage. À la première installation, vous n'avez pas à appliquer de composant thermique supplémentaire sur la surface de contact du processeur.

Essayez la surface de contact du processeur (à l'aide d'un torchon non abrasif ou d'un coton-tige comme indiqué sur la figure). Appliquez une ligne de composant thermique sur le dissipateur thermique intégré propre et étalez-le sur tout le dissipateur thermique du processeur à l'aide d'une carte de crédit ou d'un objet similaire.

5. INSTALLATION - INTEL LGA 20XX SOCKET

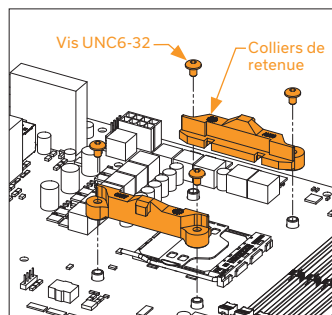


ÉTAPE 1 : FIXATION DES VIS DE MONTAGE (LGA 20XX)

Les cartes mères à socket LGA 20xx (2066/2011 V3/2011) ne nécessitent pas d'installation de plaque arrière. Fixez 4 vis papillons LGA 20XX dans les embouts filetés M4 sur le mécanisme de verrouillage intégré au socket LGA 20XX (MVI). Les vis peuvent être fixées à l'aide de l'outil de vis de montage. N'utilisez pas d'autres outils (comme des pinces) sous risque d'endommagement de la carte mère.

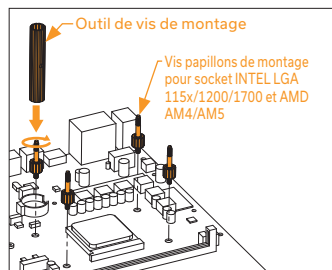
⚠ Poursuivez l'installation en suivant les instructions de l'ÉTAPE 4 à la page 54!

6. FIXATION DU SUPPORT DU PROCESSEUR AMD AM4/AM5



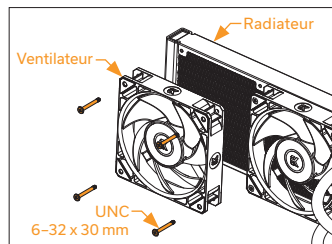
ÉTAPE 1 : RETRAIT DES SUPPORTS D'ORIGINE EN PLASTIQUE (AMD)

À l'aide d'un tournevis à tête Phillips, retirez les quatre vis UNC 6-32 qui fixent les pinces de maintien en plastique d'origine autour du support du processeur, comme indiqué sur la figure. **Conservez la plaque arrière d'origine AMD®** et retirez et rangez les supports en plastique. Reportez-vous à la figure pour l'identification ultérieure des pièces.



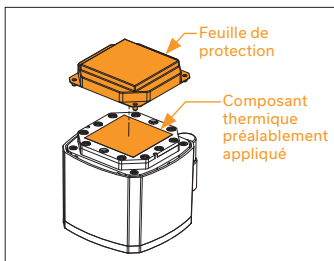
ÉTAPE 2 : FIXATION DES VIS DE MONTAGE (AMD)

Fixez 4 vis papillons de montage pour le socket AMD AM4/AM5 sur votre carte mère. Les vis peuvent être fixées à l'aide de l'outil de vis de montage. N'utilisez pas d'autres outils (comme des pinces) sous risque d'endommagement de la carte mère.



ÉTAPE 3 : FIXATION DES VENTILATEURS SUR LE RADIATEUR (AMD)

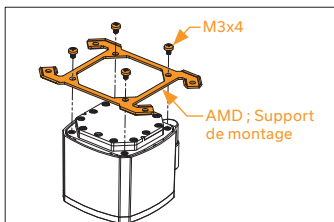
Fixez les ventilateurs (2 ou 3 selon la version du système de refroidissement tout-en-un) sur le radiateur à l'aide des vis UNC 6-32 x 30 mm.



ÉTAPE 4 : RETRAIT DE LA FEUILLE DE PROTECTION DE LA PLAQUE FROIDE (AMD)

Retirez le couvercle de protection à l'arrière du groupe de pompage. Il sert à éviter d'endommager la plaque froide et le composant thermique préalablement appliqué sur la plaque froide.

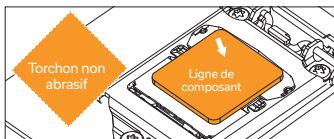
Lors du retrait de la feuille de protection et de l'installation, prenez garde de ne pas toucher, ni endommager le composant thermique préalablement appliqué.



ÉTAPE 5 : FIXATION DES SUPPORTS DE MONTAGE (AMD)

Utilisez 4 vis M3x4 pour fixer le support AMD sur le groupe de pompage.

Prenez garde de ne pas toucher, ni endommager le composant thermique préalablement appliqué.

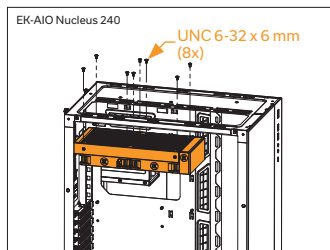
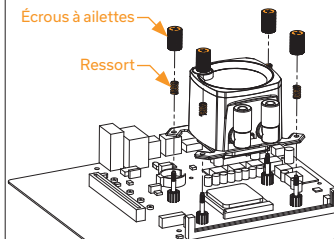


ÉTAPE 6 : FIXATION DE LA POMPE (AMD)

Essuyez la surface de contact du processeur (à l'aide d'un chiffon non abrasif ou d'un bâtonnet ouaté comme indiqué sur la figure).

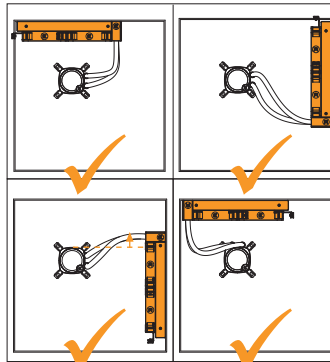
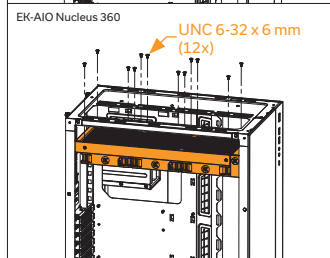
Alignez la pompe par rapport aux vis de montage et au processeur comme indiqué sur la figure.

Placez les ressorts de compression et les écrous à ailettes fournis sur les vis de montage (4x). Commencez à serrer deux écrous à ailettes à la fois, de préférence en croix, mais ne les serrez pas complètement jusqu'à ce que tous les écrous soient partiellement vissés.



ÉTAPE 7 : FIXATION DE L'ENSEMBLE DES VENTILATEURS ET DU RADIATEUR SUR UN BOÎTIER D'ORDINATEUR (AMD)

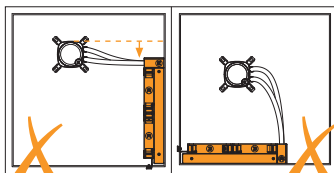
Fixez l'ensemble composé par le radiateur et le(s) ventilateur(s) sur le boîtier de l'ordinateur à l'aide des vis UNC 6-32 x 6 mm.



Radiateur sur le dessus (recommandé).

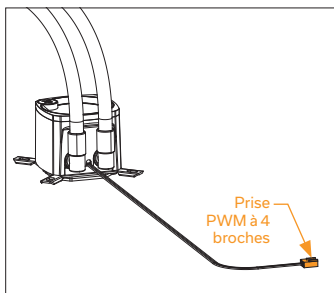
Positionnement vertical du radiateur avec le tube orienté vers le bas (recommandé).

Placement vertical du radiateur avec la tubulure sur le dessus. (Le réservoir du radiateur doit être plus haut que l'unité de pompe.)

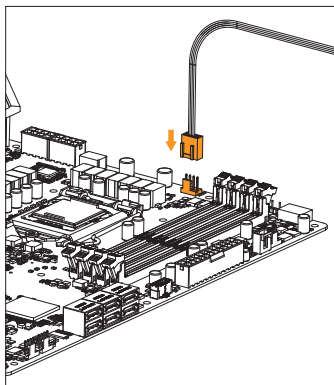


Évitez de placer verticalement le radiateur avec la tubulure sur le dessus. (Si le réservoir du radiateur est plus bas que l'unité de pompe.)

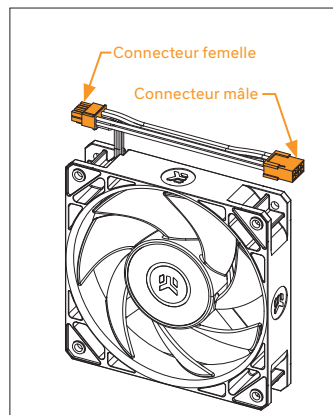
Évitez de positionner le radiateur vers le bas.



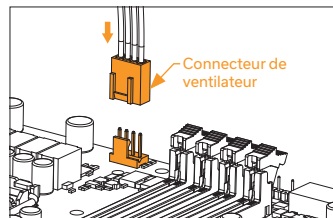
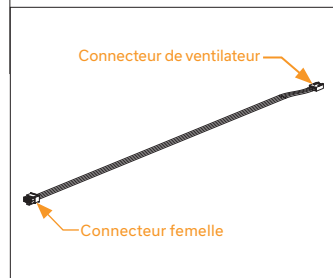
ÉTAPE 8 : POMPE - BRANCHEMENT DES CÂBLES (AMD)



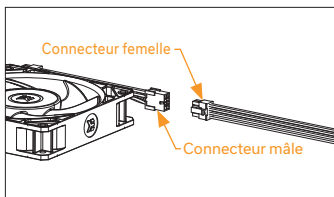
ÉTAPE A:
Branchez le connecteur MLI à 4 broches de la pompe à la carte mère.



ÉTAPE 9 : VENTILATEURS - CÂBLES DE CONNEXION (AMD)

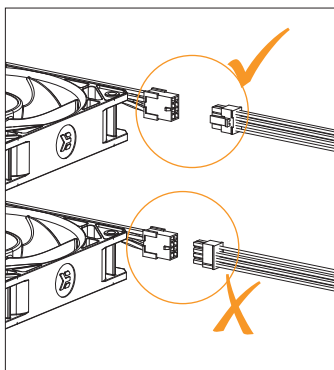


ÉTAPE A:
Branchez le connecteur du ventilateur à 4 broches du câble d'extension directement à la prise du ventilateur du processeur sur la carte mère. Utilisez toujours la prise du ventilateur du processeur si possible.

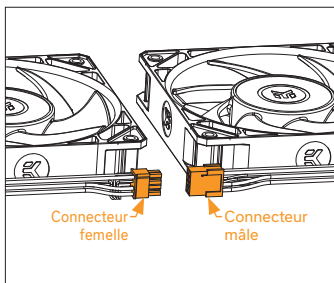


ÉTAPE B:

Connectez le connecteur femelle du câble d'extension au connecteur mâle du premier ventilateur en ligne.



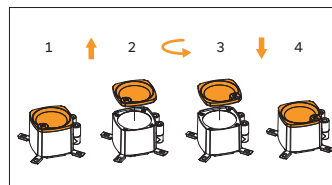
Veillez à tourner correctement le connecteur micro-fit.



ÉTAPE C:

Dans le cas de la version EK-Nucleus AIO CR240 ou EK-Nucleus AIO CR260, connectez le deuxième et le troisième ventilateur en série à l'aide de la « connexion en série ».

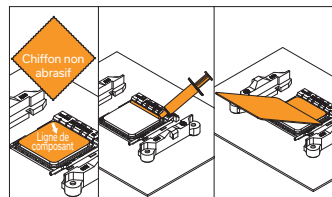
Veillez à tourner correctement le connecteur.



ÉTAPE 10 : ORIENTATION DU DESSUS DE LA POMPE (AMD)

Relevez la partie supérieure, faites-la pivoter jusqu'à ce que le logo EK soit orienté correctement, puis reposez-la. Les aimants maintiendront le couvercle en place.

Félicitations ! Vous avez installé avec succès votre unité EK-Nucleus AIO.



ÉTAPE FACULTATIVE ! APPLICATION DU COMPOSANT THERMIQUE

Cette étape n'est pertinente que pour la deuxième installation d'AIO ou si vous avez endommagé la pâte appliquée au préalable à l'arrière du groupe de pompage. À la première installation, vous n'avez pas à appliquer de composant thermique supplémentaire sur la surface de contact du processeur.

Essayez la surface de contact du processeur (à l'aide d'un torchon non abrasif ou d'un coton-tige comme indiqué sur la figure). Appliquez une ligne de composant thermique sur le dissipateur thermique intégré propre et étalez-le sur tout le dissipateur thermique du processeur à l'aide d'une carte de crédit ou d'un objet similaire.

7. CONSIGNES DE SÉCURITÉ GÉNÉRALES

Mesures de premiers secours en cas de :

Exposition de la peau au liquide de refroidissement : Enlevez les vêtements contaminés et rincez abondamment à l'eau courante ou avec une solution saline normale. Si les symptômes se développent et persistent, consultez un médecin.

Exposition des yeux au liquide de refroidissement : Ouvrez immédiatement les paupières supérieures et inférieures, rincez à l'eau courante ou avec une solution saline normale. Si l'irritation persiste, consultez un médecin.

Inhalation du liquide de refroidissement : Sortez de la zone et allez à l'air frais. Si les symptômes se développent et persistent, consultez un médecin.

Ingestion du liquide de refroidissement : Buvez beaucoup d'eau tiède et ne vous faites pas vomir. En cas de doute ou de malaise, consultez un médecin.

Exposition cutanée à la pâte thermique : Lavez soigneusement à l'eau et au savon pendant au moins 15 minutes. Les vêtements contaminés doivent être immédiatement retirés. Si l'irritation persiste, consultez un médecin.

Exposition des yeux à la pâte thermique : Rincer abondamment à l'eau courante pendant au moins 15 minutes. Si l'irritation persiste, consultez un médecin.

Inhalation de la pâte thermique : Si des effets indésirables surviennent, allez dans une zone non contaminée. En cas d'arrêt de la respiration, effectuez immédiatement la respiration artificielle. Consultez immédiatement un médecin.

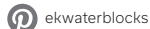
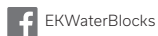
Ingestion de la pâte thermique : Buvez 2 grands verres d'eau. Ne vous faites pas vomir. Si une grande quantité a été ingérée ou si le malaise persiste, consultez un médecin.

8. ASSISTANCE ET SERVICE

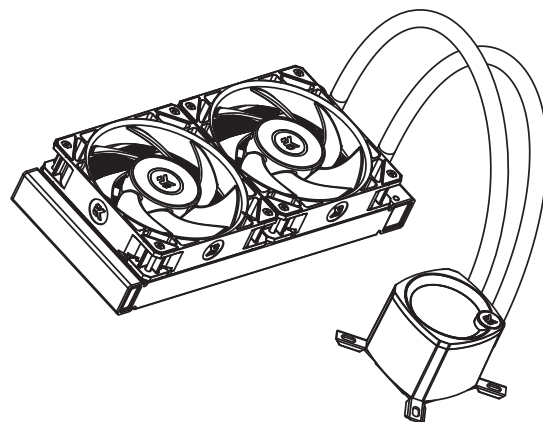
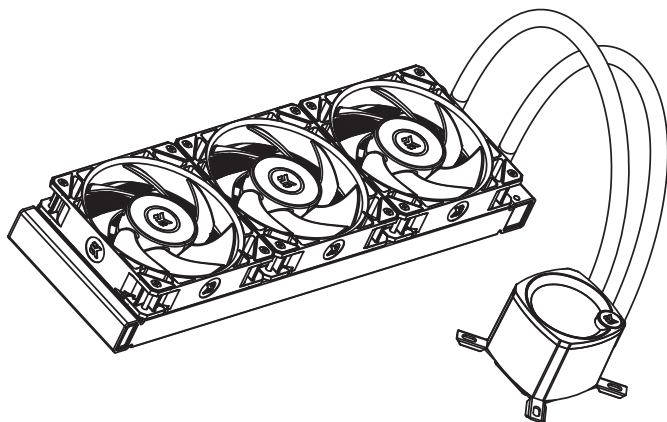
Pour une assistance, veuillez suivre le lien : <http://support.ekwb.com/>

EKWB d.o.o.
Pod lipami 18
1218 Komenda
Slovénie - UE

9. RÉSEAUX SOCIAUX



EK-Nucleus AIO CR360 Dark / CR240 Dark



安全かつ簡単に取り付けを行うため、取り付け作業を開始する前に、本書をよくお読みください。

対応CPUソケット:
Intelソケット 115X/1200/1700/20xx CPUs
AMD ソケット AM4/AM5 CPUs

目次

1. 安全上の注意事項	64
2. 仕様	64
3. 内容物	65
付属品ボックス	65
4. 取り付け – INTEL LGA 115X/1200/1700ソケット	66
ステップ1: マザーボードを取り外す	66
ステップ2: マザーボードにバックプレートを取り付ける	66
ステップ3: マウントスクリューを取り付けるスクリュー	66
ステップ4: ラジエーターにファンを取り付ける	66
ステップ5: コールドプレートの保護カバーを取り外す	66
ステップ6: マウントブラケットを取り付ける	66
ステップ7: ポンプユニットを取り付けます	66
ステップ8: PCケースにファンとラジエーターを組み立てた部品を取り付ける	67
ステップ9: ポンプ – ケーブルを接続する	67
ステップ10: ファン – ケーブルを接続する	68
ステップ11: ポンプトップの向きを調整します	69
オプションのステップ! 放熱グリスを塗布する	69
5. 取り付け方法 – INTEL LGA 20XXソケット	69
ステップ1: マウントスクリュー (LGA 20XX) を取り付ける	69
6. 取り付け方法 – AMD AM4/AM5 ソケット	69
ステップ1: 純正のプラスチック製ホルドダウン式ランプを取り外す (AMD)	69
ステップ2: マウントスクリュー (AMD) を取り付ける	69
ステップ3: ラジエーターにファンを取り付ける (AMD)	69
ステップ4: コールドプレートの保護カバーを取り外す (AMD)	70
ステップ5: マウントブラケットの取り付け (AMD)	70
ステップ6: ポンプユニットを取り付ける (AMD)	70
ステップ7: PCケース (AMD) にファンとラジエーターを組み立てた部品を取り付ける	70
ステップ8: ポンプ – ケーブルを接続する (AMD)	71
ステップ9: ファン – ケーブルを接続する (AMD)	71
ステップ10: ポンプトップの向きを調整します (AMD)	72
オプションのステップ! 放熱グリスを塗布する	72
7. ソーシャルメディア	72
8. サポート&サービス	73
9. ソーシャルメディア	73

本書の指示に従い、適切な方法で取り付けを行ってください。不適切に取り付けられた場合、機器が損傷する可能性があります。EK Water Blocksは、これらの製品の使用または取り付けに関して、明示黙示を問わず、一切責任を負いません。以下、本書に記載されている説明は、予告なく変更される場合があります。最新情報については、当社ウェブサイト (www.ekwb.com) にアクセスしてご確認ください。

1. 安全上の注意事項

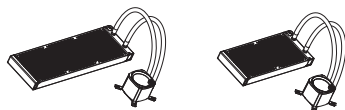
1. 本製品はお子様の手が届かない場所に保管してください。
2. 取り付けの前に、コンポーネントリストと製品の状態を確認してください。本製品に問題がある場合には、購入された店舗にお問い合わせ、交換または返金を依頼してください。
3. EKWB d.o.o.は、外的要因 (不適切な使用、電源の不具合、事故、放置、改造、修理、不適切な取り付け、不適切なテストなどが含まれますがこれらに限定されません) による損害に関しては責任を負いません。
4. 本製品の取り付けが不適切な場合、CPUとマザーボードが損傷する可能性があります。
5. ファンに過度な力加わると、ファンやシステムが損傷する可能性があります。
6. 本製品は、個別のEKWBの純正パーツで構成されたCPU液体冷却ソリューションキットです。EK Water Blocks製以外のパーツを組み合わせると、保証の対象外となる可能性があります。
7. 製品の設計と仕様は、品質と性能の向上を目的に改訂される場合があります。
8. 20%RPM未満の速さでポンプを動作させないでください。ポンプの使用は常に20~100%PWMデューティ比にしておく必要があります。ポンプは常に100%で動作させることを推奨しています。(PWMの操作方法に関してサポートが必要な場合は、ご使用のマザーボードの取扱説明書を参照してください。)

2. 仕様

	モデル	EK-Nucleus AIO CR240 Dark	EK-Nucleus AIO CR360 Dark
ラジエーター	モデル		
	寸法	277x120x27 mm	398x120x27 mm
ファン	フィンの材質	アルミニウム	アルミニウム
	寸法	120x120x25 mm (2基)	120x120x25 mm (3基)
	スピード	550 ~ 2300 RPM ±10% (PWM : 20 ~ 100%)	550 ~ 2300 RPM ±10% (PWM : 20 ~ 100%)
	エアフロー	72 CFM	72 CFM
	耐用期間	70,000時間	70,000時間
	ノイズレベル	36 dB	36 dB
	ベアリングタイプ	FDBベアリング	FDBベアリング
	ファンコネクタ	4ピン	4ピン
	ファン定格電圧	12V	12V
ポンプ	寸法 (mm)	82.3x69.2x61.6 mm	82.3x69.2x61.6 mm
	RPM	3100 RPM ±10% (PWM : 20 ~ 100%)	3100 RPM ±10% (PWM : 20 ~ 100%)
	耐用期間	70,000時間	70,000時間
	ノイズレベル	18.5 dB	18.5 dB
	入力電流	0.37 ±10% A	0.37 ±10% A

3. 内容物

EK-Nucleus AIO CR240 Dark /
EK-Nucleus AIO CR360 Dark
(1本)



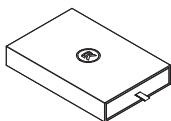
EK-FPT FAN 120ER 全圧テック/ローファン
(2基 / 3基 - ファンの数はAIOのバージョンによって異なります)



延長ケーブル (500mm)



付属品ボックス
(1個)



ユーザーマニュアル
(1冊)



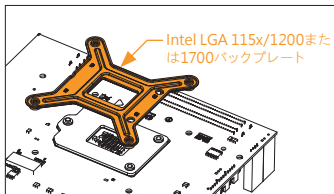
付属品ボックス

十字穴付きネジ UNC 6-32 x 30mm (ネジ長さ 4mm) 8本/12本		十字穴付きネジ UNC 6-32 x 6mm 8本/12本	
十字穴付きネジ UNC 6-32 x 34mm 8本/12本		プレート取り付け用十字穴付きネジ M3x4mm (マウントブラケット取り付け用) 4本	
マウントサムスクリュー (Intel LGA 115x/LGA1200/LGA1700/AMD AM4/AM5ソケット用) 4本		マウントサムスクリュー (Intel LGA 20XXソケット用) 4本	
サムスナット (Intel / AMD) 4本		スプリング 4本	
Intel LGA 115x/1200バックプレート 1枚		Intel LGA 1700バックプレート 1枚	
Intelマウントブラケット 1個		AMDマウントブラケット 1個	
サーマルペーストのチューブ 1本		スクリュー取付ツール 1本	

4. 取り付け – INTEL LGA 115X/1200/1700ソケット

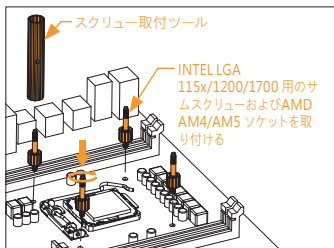
ステップ1: マザーボードを取り外す

お使いのPCケースのマザーボードのCPU側の下にカットアウト(メンテナンスホール)がない場合は、まずコンピューターからマザーボードを取り外す必要があります。



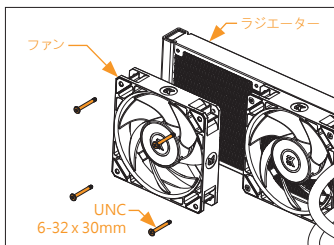
ステップ2: マザーボードにバックプレートを取り付ける

LGA 115x/1200/1700ソケット用のバックプレートを実用ボードの背面に取り付けます。使用しているチップセットに合わせて適切なバックプレートを選択します。マザーボードの穴をバックプレートの穴に合わせます。



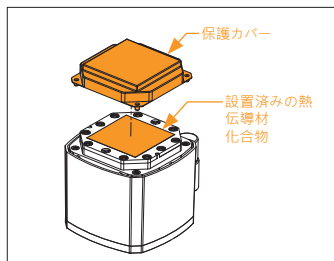
ステップ3: マウントスクリューを取り付けるスクリュー

取付サムスクリュー4本をマザーボードに通し、マザーボードをバックプレートに固定します。スクリュー取付ツールを使用してネジを取り付けます。マザーボードを損傷することがあるため、他のツール(すなわちピラー)は使用しないでください。



ステップ4: ラジエーターにファンを取り付ける

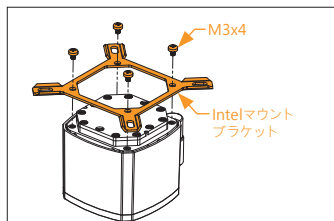
UNC 6-32 x 30mmネジを使用してラジエーターにファンを取り付けます(ファンの数はAIOのバージョンによって2基、または3基と異なります)。



ステップ5: コールドプレートの保護カバーを取り外す

ポンプユニットの背面から保護カバーを取り外します。保護カバーは、コールドプレートと事前にコールドプレートに塗布された放熱グリスの損傷を防止する目的でのみ取り付けられています。

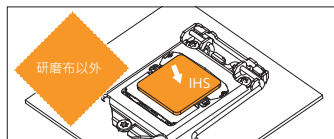
保護カバーを取り外し、取り付け作業を進める場合は、事前に塗布された放熱グリスを触ったり、剥がしたりしないよう注意してください。



ステップ6: マウントブラケットを取り付ける

M3x4ネジを4本使用して、ポンプユニットにIntelブラケットを2個取り付けます。

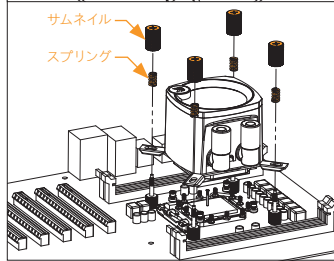
事前に塗布された放熱グリスを触ったり、剥がしたりしないよう注意してください。



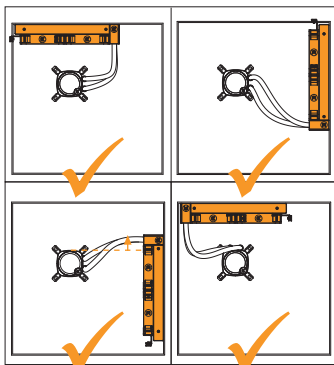
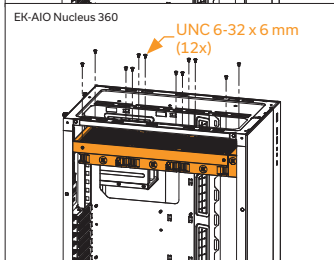
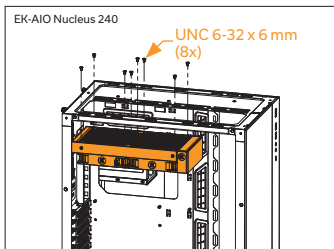
ステップ7: ポンプユニットを取り付けます

CPUの接触面を拭きます(図のように、非研磨または綿棒を使用してください)。

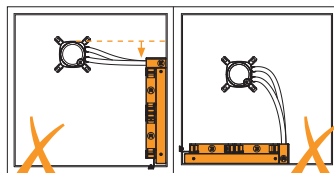
図のように、ポンプユニットをマウントスクリューとCPUに合わせます。



付属の圧縮パネとサムナットをマウントスクリューの上に配置します(4本)。まず、2個のサムナット(できれば対角のサムナット)を一度に締めます。すべてのサムナットを途中で締めず、完全に締めないように注意してください。

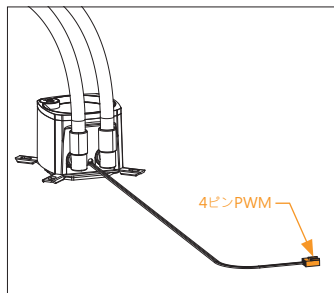


ステップ8: PCケースにファンとラジエーターを組み立てた部品を取り付ける
 UNC 6-32 x 6mmのネジを使用して、PCケースにラジエーターとファンを組み立てた部品を取り付けます。



チューブが上部にあるラジエーターを垂直配置しないでください (ラジエーターのリザーバがポンプユニットよりも低い場合)

ラジエーターを下に配置しないでください

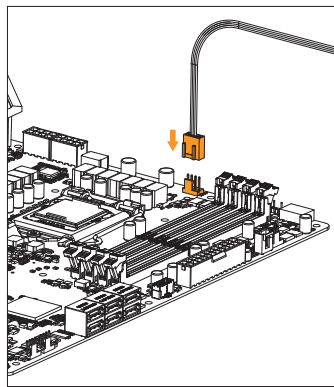


ステップ9: ポンプケーブルを接続する

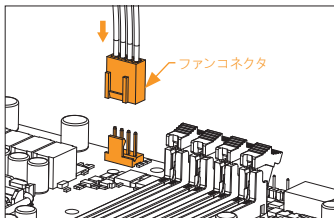
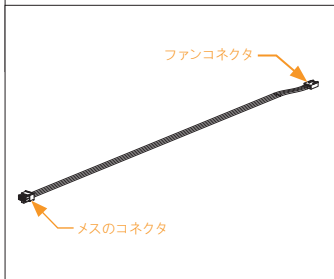
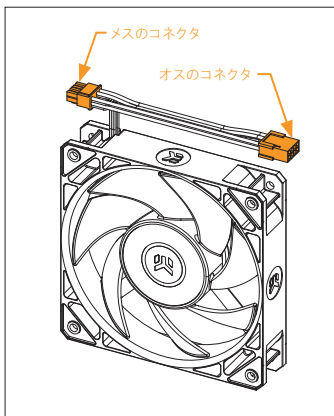
ラジエーターを上配置 (推奨)

チューブを下にし、ラジエーターを縦に配置 (推奨)

チューブが上部にあるラジエーターの垂直配置 (ラジエーターのリザーバはポンプユニットよりも高くする必要があります)

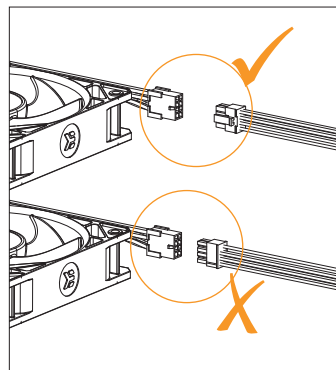
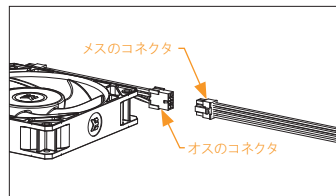


ステップA:
 ポンプから4ピンPWMコネクタをマザーボードに差し込みます。



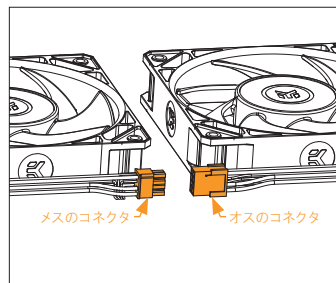
ステップ10: ファンケーブルを接続する

ステップA:
延長ケーブルから4ピンファンコネクタをマザーボードのCPUファンヘッダーに直接接続します。可能な場合は必ずCPUのファンヘッダを使用してください。



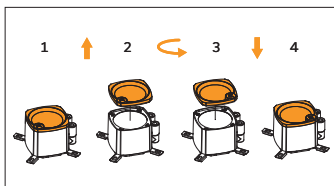
ステップB
延長ケーブルからメスコネクタを列の最初のファンのオスコネクタに接続します。

注記: マイクロフィットコネクタを正しく回してください。



ステップC
EK-Nucleus AIO CR240またはEK-Nucleus AIO CR360バージョンの場合は、2基目と3基目のファンを「デジチェーン」と直列に接続してください。

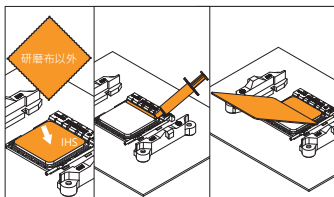
注記: コネクタを正しく回してください。



ステップ11: ポンプトップの向きを調整 します

トップを持ち上げ、EKロゴが適切な位置にくるまで
回し、トップを元の位置に戻します。磁石によって
トップが所定の位置に固定されます。

以上の手順でEK-Nucleus AIOを正常に取り付ける
ことができます。

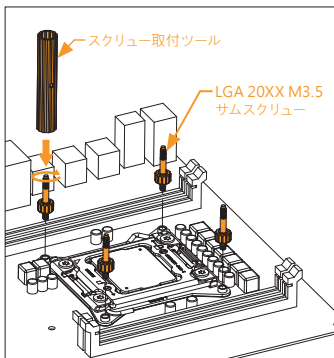


オプションのステップ! 放熱グリスを塗 布する

この手順は、2台目のAIOを取り付ける場合もしくはは
ポンプユニットの背面に事前に塗布したグリスを剥
がしてしまった場合を対象とした手順です。初めて取
り付ける際は、CPUの接触面に追加の放熱グリスを
塗布する必要はありません。

CPUの接触面を拭きます(図のように、非研磨布ま
たは綿棒を使用してください)。きれいになったIHS
に、放熱グリスを線状に塗布し、クレジットカードな
どを使ってCPUヒートスプレッド (IHS) 全体に広げ
ます。

5. 取り付け方法 – INTEL LGA 20XXソケット

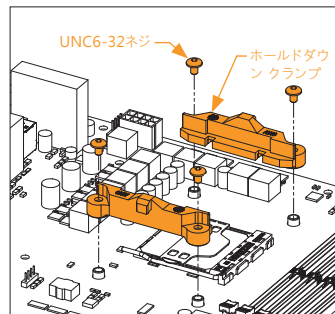


ステップ1: マウントスクリュー(LGA 20XX) を取り付ける

LGA 20xx (2066/2011 V3/2011) ソケット
マザーボードには、バックプレートの取り付けは
必要ありません。4本のLGA 20XX マウント
サムサムスクリューをLGA 20XX ソケットの統合ラ
ッチ機構 (ILM) の M4 ネジ型スタブに 取り付けま
す。このスクリューは、スクリュー取付ツールを使用
して取り付けます。マザーボードを損傷することが
あるため、他のツール (すなわちピラー) は使用し
ないでください。

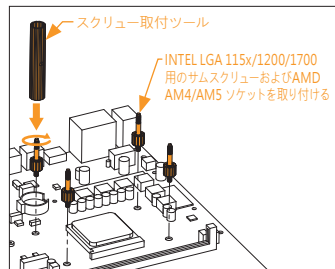
! XXページのステップ4以降の指示に従っ
て、インストールを続行します。66!

6. 取り付け方法 – AMD AM4/AM5 ソケット



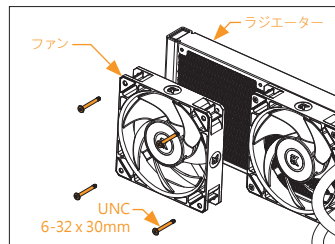
ステップ1: 純正のプラスチック製ホル ドダウン式クランプを取り外す (AMD)

図のように、ソケットの周りの純正プラスチック製
ホールドダウン式クランプを固定している4本のUNC
6-32のネジをプラスドライバーを使用して取り外し
ます。純正AMD®バックプレートは取り外さず、ホ
ールドダウン式クランプを取り外して保管します。パ
ーツ識別に関する詳細については、図を参照してくだ
さい。



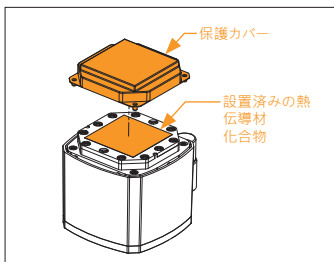
ステップ2: マウントスクリュー (AMD) を 取り付け

AMD AM4/AM5ソケット用の取付サムスクリュー4
本をマザーボードに取り付けます。スクリュー取付ツ
ールの代わりにスクリューを使用することも可能で
す。マザーボードを損傷することがあるため、他のツ
ール (すなわちピラー) は使用しないでください。



ステップ3: ラジエーターにファンを取り 付ける (AMD)

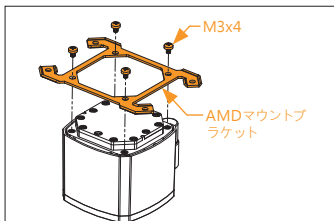
UNC 6-32 x 30mmネジを使用してラジエーターに
ファンを取り付けます (ファンの数はAIOのパージョ
ンによって2基、または3基と異なります)。



ステップ4: コールドプレートの保護カバーを取り外す (AMD)

ポンプユニットの背面から保護カバーを取り外します。保護カバーは、コールドプレートと事前にコールドプレートに塗布された放熱グリスの損傷を防止する目的のみ取り付けられています。

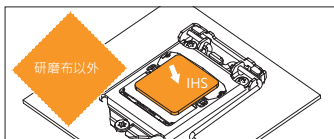
保護カバーを取り外し、取り付け作業を進める場合は、事前に塗布された放熱グリスを触ったり、剥がしたりしないよう注意してください。



ステップ5: マウントブラケットの取り付け (AMD)

M3x4ネジを4本使用して、ポンプユニットにAMDブラケットを2個取り付けます。

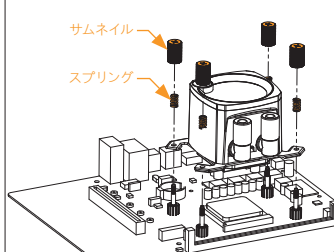
事前に塗布された放熱グリスを触ったり、剥がしたりしないよう注意してください。



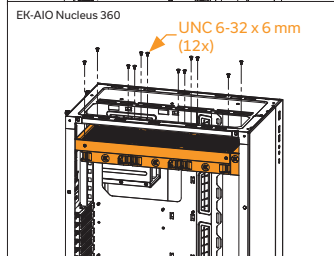
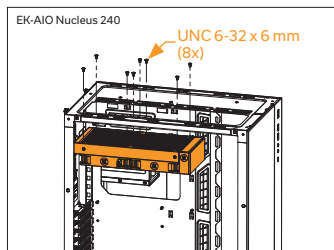
ステップ6: ポンプユニットを取り付ける (AMD)

CPUの接触面を拭きます(図のように、非研磨布または綿棒を使用してください)

図のように、ポンプユニットをマウントスクリーンとCPUに合わせます。

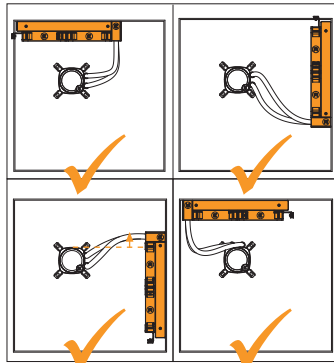


付属の圧縮バネとサムナットをマウントスクリーンの上に配置します(4本)。まず、2個のサムナット(できれば対角のサムナット)を一度に締めます。すべてのサムナットを途中で締めるまで、完全に締めないよう注意してください。



ステップ7: PCケース (AMD) にファンとラジエーターを組み立てた部品を取り付ける

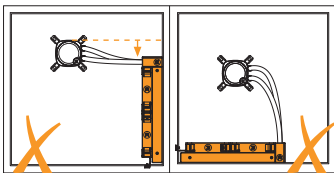
UNC 6-32 x 6mmのネジを使用して、PCケースにラジエーターとファンを組み立てた部品を取り付けます。



ラジエーターを上配置 (推奨)

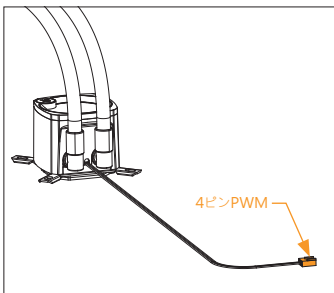
チューブを下にし、ラジエーターを縦に配置 (推奨)

チューブが上部にあるラジエーターの垂直配置 (ラジエーターのリザーブはポンプユニットよりも高くする必要があります)

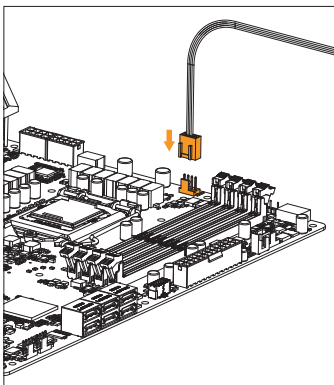


チューブが上部にあるラジエータを垂直配置しないでください（ラジエータのリザーバがポンプユニットよりも低い場合）

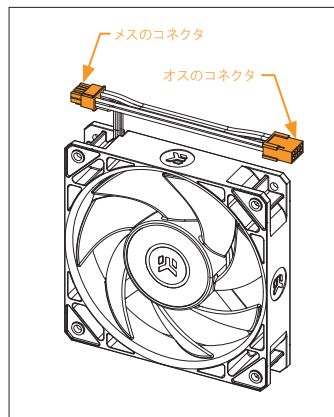
ラジエーターを下に配置しないでください



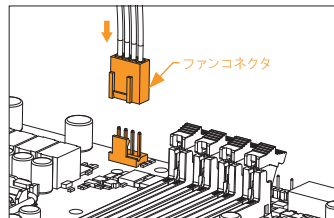
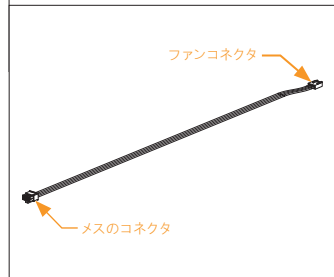
ステップ8: ポンプケーブルを接続する (AMD)



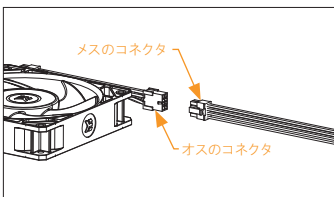
ステップA:
ポンプから4ピンPWMコネクタをマザーボードに差し込みます。



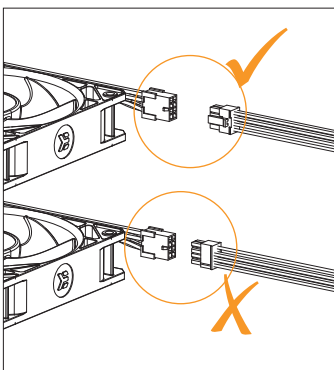
ステップ9: ファンケーブルを接続する (AMD)



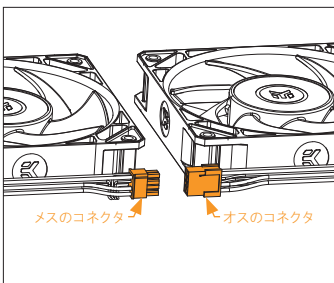
ステップA:
延長ケーブルから4ピンファンコネクタをマザーボードのCPUファンヘッダーに直接接続します。可能な場合は必ずCPUのファンヘッダを使用してください。



ステップB
延長ケーブルからメスコネクタを列の最初のファンのオスコネクタに接続します。

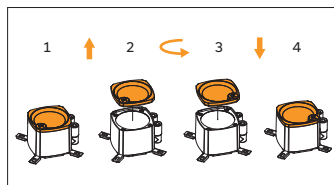


注記: マイクロフィットコネクタを正しく回してください。



ステップC
EK-Nucleus AIO CR240またはEK-Nucleus AIO CR360バージョンの場合は、2基目と3基目のファンを「デジージャーチェン」と直列に接続してください。

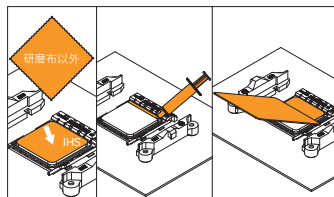
注記: コネクタを正しく回してください。



ステップ10: ポンプトップの向きを調整します(AMD)

トップを持ち上げ、EKロゴが適切な位置にくるまで回し、トップを元の位置に戻します。磁石によってトップが所定の位置に固定されます。

以上の手順でEK-Nucleus AIOを正常に取り付けることができます。



オプションのステップ! 放熱グリスを塗布する

この手順は、2台目のAIOを取り付ける場合もしくはポンプユニットの背面に事前に塗布したグリスを剥がしてしまった場合を対象とした手順です。初めて取り付ける際は、CPUの接触面に追加の放熱グリスを塗布する必要はありません

CPUの接触面を拭きます(図のように、非研磨布または綿棒を使用してください)。きれいになったIHSに、放熱グリスを線状に塗布し、クレジットカードなどを使ってCPUヒートスプレッド (IHS) 全体に広げます。

7. ソーシャルメディア

以下の場合の応急処置:

皮膚に冷却剤が付着した場合: 汚染された衣服を脱ぎ、大量の流水または通常の生理食塩水で十分に洗浄してください。症状が現れ、持続するようであれば、専門医の診察を受けてください。

冷却剤が目に入った場合: 速やかに眼を大きく開いて、流水または通常の生理食塩水で洗眼してください。炎症が続くようであれば、専門医の診察を受けてください。

冷却剤を吸い込んだ場合: 現場から離れて新鮮な空気を吸ってください。症状が現れ、持続するようであれば、専門医の診察を受けてください。

冷却剤を飲み込んだ場合: 多量の温水を飲み、無理に吐き出さないでください。症状がある場合、または気分が悪いようであれば、専門医の診察を受けてください。

放熱グリスが皮膚に付着した場合: 石鹸と水を使用して最低 15 分間、十分に洗い流してください。速やかに汚染された衣服を脱いでください。炎症が続くようであれば、専門医の診察を受けてください。

放熱グリスが目に入った場合: 最低 15 分間、流水で十分に洗眼してください。炎症が続くようであれば、専門医の診察を受けてください。

放熱グリスを吸い込んだ場合:副作用が生じるようであれば、汚染されていない場所に移動してください。呼吸が停止している場合は、直ちに人工呼吸を行ってください。速やかに医師の診察を受けてください。

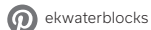
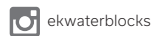
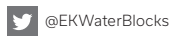
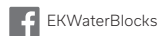
放熱グリスを飲み込んだ場合:大きめのコップで水を 2 杯飲んでください。無理に吐き出さないでください。多量に摂取した場合、または不快感が続くようであれば、専門医の診察を受けてください。

8. サポート&サービス

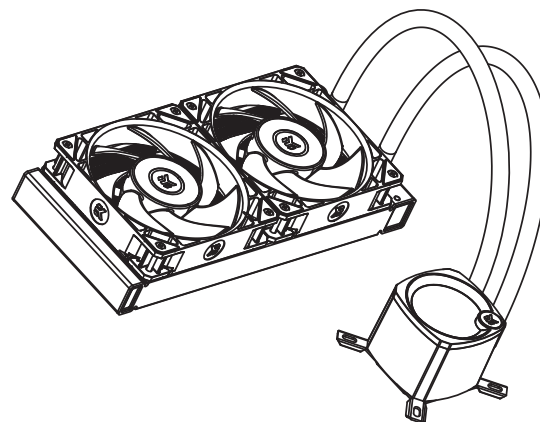
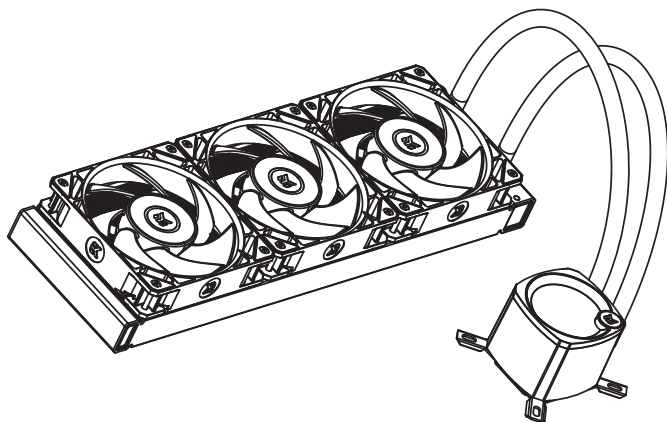
サポートが必要な場合はお問い合わせください: <http://support.ekwb.com/>

EKWB d.o.o.
Pod lipami 18
1218 Komenda
Slovenia – EU

9. ソーシャルメディア



EK-Nucleus AIO CR360 Dark / CR240 Dark



Leia cuidadosamente este manual antes de iniciar o processo de instalação, para assegurar uma instalação fácil e segura!

Compatível com:
Processadores Intel Socket 115X/1200/1700/20xx
Processadores AMD Socket AM4/AM5

CONTEÚDO

1. MEDIDAS DE SEGURANÇA	76
2. ESPECIFICAÇÕES	76
3. CONTEÚDO DESTA EMBALAGEM	77
CAIXA DE ACESSÓRIOS	77
4. INSTALAÇÃO - INTEL LGA 115X/1200/1700 SOCKET	78
PASSO 1: REMOVER A PLACA PRINCIPAL	78
PASSO 2: FIXAR A PLACA DE APOIO À PLACA PRINCIPAL	78
PASSO 3: PRENDER OS PARAFUSOS DE FIXAÇÃO	78
PASSO 4: INSTALAR AS VENTONHAS NO RADIADOR	78
PASSO 5: REMOÇÃO DA COBERTURA DE PROTEÇÃO DA "COLD-PLATE"	78
PASSO 6: INSTALAÇÃO DOS SUPORTES DE MONTAGEM	78
PASSO 7: INSTALAÇÃO DA UNIDADE DA BOMBA	78
PASSO 8: INSTALAR A MONTAGEM DAS VENTONHAS E DO RADIADOR NUMA CARCAÇA PARA PC	79
PASSO 9: BOMBA - LIGAÇÃO DOS CABOS	79
PASSO 10: VENTONHAS - LIGAÇÃO DOS CABOS	80
PASSO 11: ORIENTAÇÃO DA PARTE SUPERIOR DA BOMBA	81
PASSO OPCIONAL! APLICAR O COMPOSTO TÉRMICO	81
5. INSTALAÇÃO - SOCKET INTEL LGA 20XX	81
PASSO 1: PRENDER OS PARAFUSOS DE FIXAÇÃO (LGA 20XX)	81
6. INSTALAÇÃO - SOCKET AMD AM4/AM5	81
PASSO 1: REMOÇÃO DAS BRAÇADEIRAS DE FIXAÇÃO ORIGINAIS EM PLÁSTICO (AMD)	81
PASSO 2: PRENDER OS PARAFUSOS DE FIXAÇÃO (AMD)	81
PASSO 3: INSTALAR AS VENTONHAS DO RADIADOR (AMD)	81
PASSO 4: REMOÇÃO DA COBERTURA DE PROTEÇÃO DA "COLD-PLATE" (AMD)	82
PASSO 5: INSTALAÇÃO DOS SUPORTES DE MONTAGEM (AMD)	82
PASSO 6: INSTALAÇÃO DA UNIDADE DA BOMBA (AMD)	82
PASSO 7: INSTALAR A MONTAGEM DAS VENTONHAS E DO RADIADOR NUMA CARCAÇA PARA PC (AMD)	82
PASSO 8: BOMBA - CABOS DE LIGAÇÃO (AMD)	83
PASSO 9: VENTONHAS - CABOS DE LIGAÇÃO (AMD)	83
PASSO 10: ORIENTAÇÃO DA PARTE SUPERIOR DA BOMBA (AMD)	84
PASSO OPCIONAL! APLICAR O COMPOSTO TÉRMICO	84
7. INSTRUÇÕES GERAIS DE SEGURANÇA	84
8. SUPORTE E ASSISTÊNCIA TÉCNICA	85
9. REDES SOCIAIS	85

Siga as instruções deste manual para efetuar uma instalação correta. A instalação incorreta pode resultar em danos no seu equipamento. A EK Waterblocks não assume qualquer responsabilidade, expressa ou implícita, pelo uso destes produtos ou pela respetiva instalação. As instruções seguintes estão sujeitas a alterações sem aviso prévio. Visite a nossa página de Internet www.ekwb.com para se manter informado sobre atualizações.

1. MEDIDAS DE SEGURANÇA

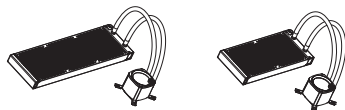
- Mantenha e armazene o produto num local inacessível a crianças.
- Consulte a lista de componentes e verifique o estado do produto antes de iniciar a instalação. Se ocorrer algum problema, contacte a loja onde adquiriu o produto para obter a substituição ou um reembolso.
- A EKWB d.o.o. não é responsável por quaisquer danos devidos a causas externas, incluindo mas não se limitando a, utilização indevida, problemas com energia elétrica, acidente, negligência, alteração, reparação, instalação inadequada e testes inadequados.
- Caso o produto não seja instalado corretamente, o processador e a placa principal podem sofrer danos.
- A aplicação de força excessiva na ventoinha pode causar danos na ventoinha e/ou no sistema.
- Este produto é um sistema de arrefecimento a líquido para processadores, composto por peças EKWB originais individuais. A combinação desta unidade de refrigeração líquida com peças que não sejam produtos da EK Water Blocks pode levar à perda da garantia.
- O desenho e especificações do produto podem ser revistos de forma a melhorar a qualidade e o desempenho.
- Não faça a bomba funcionar abaixo de 20% RPM. A bomba deve permanecer sempre dentro de um ciclo de funcionamento de 20-100% de PWM. Recomendamos que a bomba funcione sempre a 100%. (Para mais informações sobre como controlar a PWM, consulte as instruções da sua placa principal.)

2. ESPECIFICAÇÕES

Modelo		EK-Nucleus AIO CR240 Dark	EK-Nucleus AIO CR360 Dark
Radiador	Dimensões	277x120x27 mm	398x120x27 mm
	Material da ventoinha	Al	Al
Ventoinha	Dimensões	120x120x25 mm (2x)	120x120x25 mm (3x)
	Velocidade	550-2300 RPM ±10% (PWM: 20-100%)	550-2300 RPM ±10% (PWM: 20-100%)
	Fluxo de ar	72 CFM	72 CFM
	Vida útil do produto	70.000 horas	70.000 horas
	Nível de ruído	36 dB	36 dB
	Tipo de rolamento	Rolamento FDB	Rolamento FDB
	Conector da ventoinha	4 pinos	4 pinos
	Tensão nominal da ventoinha	12V	12V
Bomba	Dimensões (mm)	82,3 x 69,2 x 61,6 mm	82,3 x 69,2 x 61,6 mm
	RPM	3100 RPM ±10% (PWM: 20-100%)	3100 RPM ±10% (PWM: 20-100%)
	Vida útil do produto	70.000 horas	70.000 horas
	Nível de ruído	18,5 dB	18,5 dB
	Corrente de entrada	0.37 ±10% A	0.37 ±10% A

3. CONTEÚDO DESTA EMBALAGEM

EK-Nucleus AIO CR240 Dark /
EK-Nucleus AIO CR360 Dark
(1x)



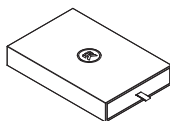
Ventoinha EK-FPT FAN 120ER Full Pressure Technology
(2x / 3x - o número de ventoinhas depende da versão AIO)



Cabo de extensão 500 mm



Caixa de acessórios
(1x)



Manual do Utilizador
(1x)



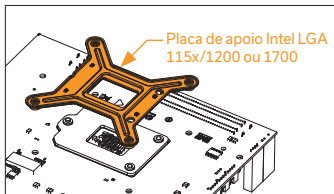
CAIXA DE ACESSÓRIOS

Parafuso de cabeça Phillips UNC 6-32 x 30 mm (4 mm de comprimento da rosca) 8x /12x		Parafuso de cabeça Phillips UNC 6-32 x 6 mm 8x /12x	
Parafuso de cabeça Phillips UNC 6-32 x 34 mm 8x /12x		Placa de montagem cabeça Philips M3x4 mm (para a instalação dos suportes de montagem) 4x	
Parafuso de fixação de aperto para socket Intel LGA 115x/LGA1200/LGA1700/AMD AM4/AM5 4x		Parafuso de fixação de aperto para socket Intel LGA 20XX 4x	
Porca de aperto manual (Intel/AMD) 4x		Mola 4x	
Placa de apoio Intel LGA 115x/1200 1x		Placa de apoio Intel LGA 1700 1x	
Suporte de montagem Intel 1x		Suporte de montagem AMD 1x	
Tubo de Pasta Térmica 1x		Ferramenta de Parafuso de Fixação 1x	

4. INSTALAÇÃO - INTEL LGA 115X/1200/1700 SOCKET

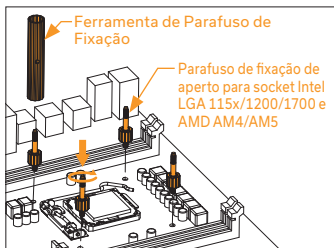
PASSO 1: REMOVER A PLACA PRINCIPAL

Caso o seu PC não possua um recorte na parte inferior da placa principal (CPU), terá de remover primeiro a placa principal do seu computador.



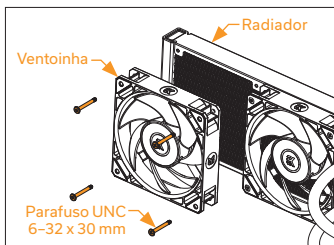
PASSO 2: FIXAR A PLACA DE APOIO À PLACA PRINCIPAL

Instale a placa de apoio Intel para o socket LGA 115x/1200/1700 na parte traseira da sua placa principal. Escolha a placa de apoio certa em função do chipset que estiver a utilizar. Alinhe os orifícios da placa principal com os orifícios na placa de apoio.



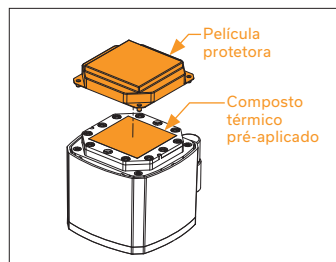
PASSO 3: PRENDER OS PARAFUSOS DE FIXAÇÃO

Insira 4x parafusos de fixação de aperto na sua placa principal até à placa de apoio. Os parafusos podem ser instalados usando a Ferramenta de Parafusos de Fixação. Não utilize outras ferramentas (p. ex. alicates), porque podem danificar a placa principal.



PASSO 4: INSTALAR AS VENTOINHAS NO RADIADOR

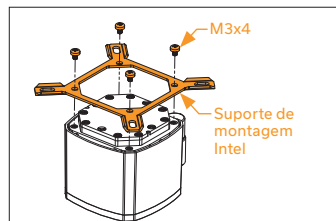
Monte as ventoinhas (2x ou 3x ... dependendo da versão AIO) no radiador com os parafusos UNC 6-32 x 30 mm.



PASSO 5: REMOÇÃO DA COBERTURA DE PROTEÇÃO DA "COLD-PLATE"

Retire a cobertura de proteção da parte de trás da unidade da bomba. A cobertura serve apenas para evitar danos na "cold-plate" e no composto térmico pré-aplicado que se encontra na "cold-plate".

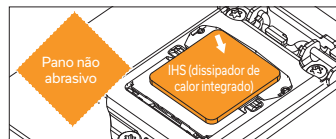
Ao remover a cobertura de proteção e proceder à instalação, tenha cuidado para não tocar no composto térmico pré-aplicado nem danificar o mesmo.



PASSO 6: INSTALAÇÃO DOS SUPORTES DE MONTAGEM

Use 4 parafusos M3x4 para instalar o suporte Intel na unidade da bomba.

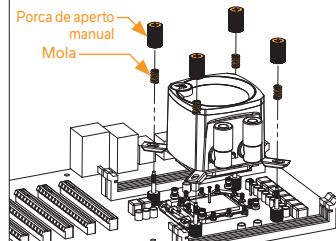
Tenha cuidado para não tocar no composto térmico pré-aplicado nem danificar o mesmo.



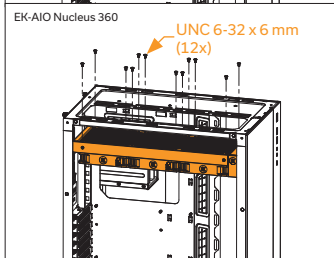
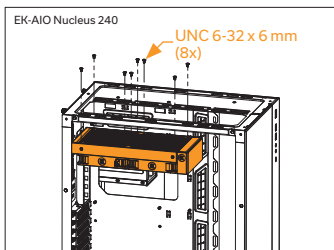
PASSO 7: INSTALAÇÃO DA UNIDADE DA BOMBA

Limpe a superfície de contacto do CPU (usando um pano não abrasivo ou um cotonete, conforme indicado na imagem exemplificativa).

Alinhe a unidade da bomba sobre os parafusos de fixação e o CPU, conforme exemplificado na imagem.

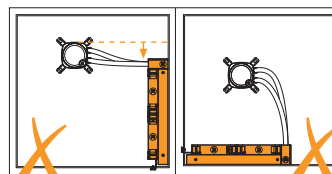


Coloque as molas de compressão e as porcas de aperto manual fornecidas sobre os parafusos de fixação (4x). Comece a apertar duas porcas de aperto de cada vez, de preferência em cruz, e não as aperte completamente até que todas estejam parcialmente enroscadas.



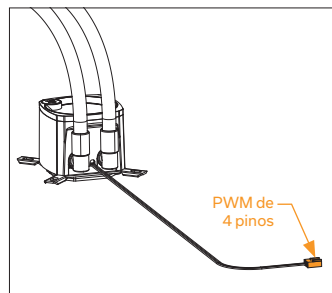
PASSO 8: INSTALAR A MONTAGEM DAS VENTOINHAS E DO RADIADOR NUMA CARÇAÇA PARA PC

Fixe a montagem do radiador e da(s) ventoinha(s) à carcaça para PC com os parafusos UNC 6-32 x 6 mm.

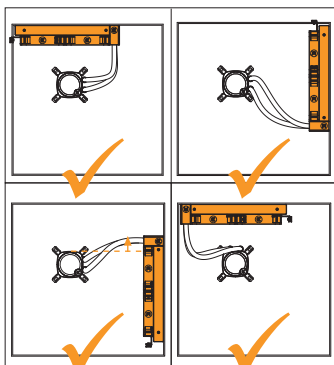


Evite a colocação vertical do radiador com as tubagens na parte superior. (Se o reservatório do radiador estiver abaixo da unidade da bomba.)

Evite colocar o radiador na parte inferior.



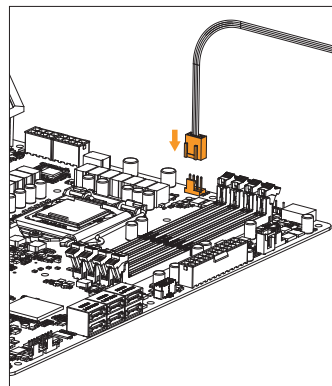
PASSO 9: BOMBA - LIGAÇÃO DOS CABOS



Radiador em cima (recomendado).

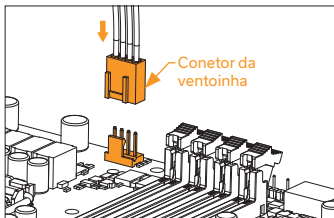
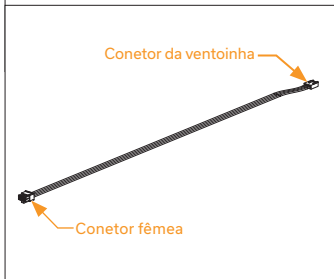
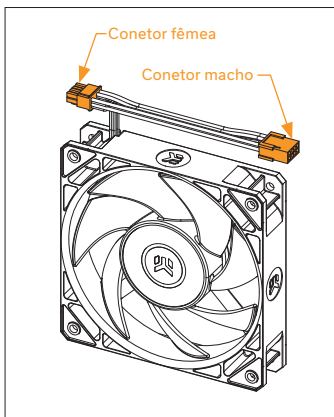
Colocação vertical do radiador com tubagem na parte inferior (recomendado).

Colocação vertical do radiador com tubagens na parte superior. (O reservatório do radiador tem de estar acima da unidade da bomba.)



PASSO A:

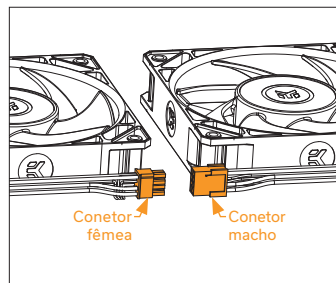
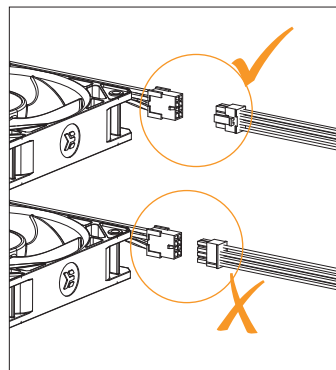
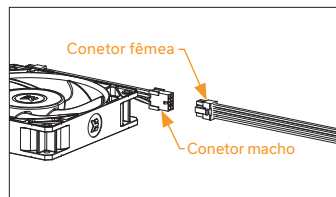
Ligue o conector PWM de 4 pinos da bomba à placa principal.



PASSO 10: VENTOINHAS - LIGAÇÃO DOS CABOS

PASSO A:

Ligue o conector de 4 pinos da ventoinha do cabo de extensão diretamente ao conector Header da ventoinha do CPU na placa principal. Sempre que possível, use o conector Header da ventoinha do CPU.



PASSO B:

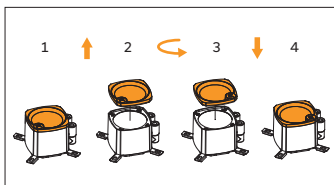
Ligue o conector fêmea do cabo de extensão ao conector macho da primeira ventoinha em linha.

Tenha o cuidado de ligar corretamente o conector Micro-fit.

PASSO C:

No caso da versão EK-Nucleus AIO CR240 ou EK-Nucleus AIO CR360, ligue a segunda e a terceira ventoinhas em linha com a "cadeia de margidas".

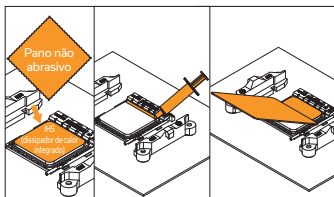
Tenha o cuidado de ligar corretamente o conector.



PASSO 11: ORIENTAÇÃO DA PARTE SUPERIOR DA BOMBA

Levante a parte superior, rode-a até o logótipo EK estar corretamente orientado e volte a posá-la. Os imanes irão manter a parte superior no devido lugar.

Parabéns! Instalou corretamente o seu EK-Nucleus AIO.

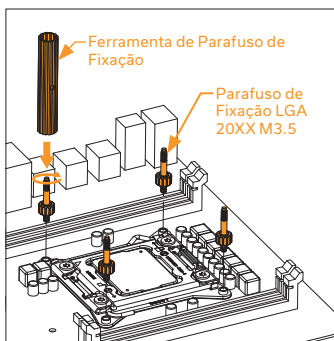


PASSO OPCIONAL! APLICAR O COMPOSTO TÉRMICO

Este passo é relevante apenas no caso de uma segunda instalação de AIO ou caso tenha danificado a pasta pré-aplicada na parte de trás da unidade da bomba. Na primeira instalação, não necessita de aplicar o composto térmico adicional na superfície de contacto do CPU.

Limpe a superfície de contacto do CPU (usando um pano não abrasivo ou um cotonete, conforme indicado na imagem exemplificativa). Num IHP (dissipador de calor integrado) limpo, aplique uma linha de composto térmico e espalhe sobre toda a superfície do dissipador de calor integrado (IHP) do CPU, usando um cartão de crédito ou algo semelhante.

5. INSTALAÇÃO - SOCKET INTEL LGA 20XX

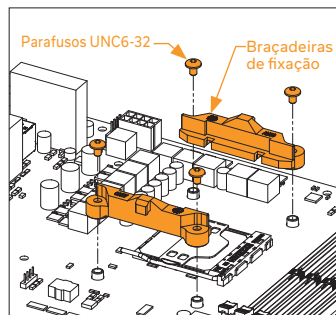


PASSO 1: PRENDER OS PARAFUSOS DE FIXAÇÃO (LGA 20XX)

As placas principais do socket LGA 20xx (2066/2011 V3/2011) não necessitam da instalação de uma placa de apoio. Instale 4x parafusos de fixação de aperto LGA 20XX em suportes roscados M4 no mecanismo de bloqueio integrado do socket LGA 20XX (ILM). Os parafusos podem ser instalados usando a Ferramenta de Parafuso de Fixação. Não utilize outras ferramentas (p. ex. alicates), porque podem danificar a placa principal.

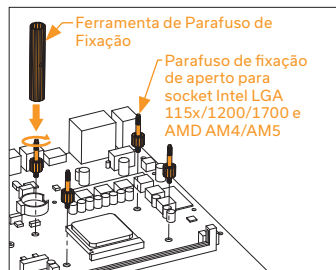
⚠ Continuar a instalação seguindo as instruções a partir do PASSO 4 na página 78!

6. INSTALAÇÃO - SOCKET AMD AM4/AM5



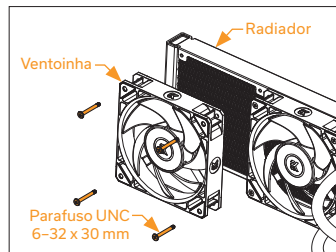
PASSO 1: REMOÇÃO DAS BRAÇADEIRAS DE FIXAÇÃO ORIGINAIS EM PLÁSTICO (AMD)

Com uma chave de fendas Philips, remova os quatro parafusos UNC 6-32 que fixam as braçadeiras de fixação originais em plástico em volta do socket, conforme ilustrado na imagem. **Mantenha a placa de apoio AMD® original** e remova as braçadeiras de fixação, armazenando-as. Consulte a imagem para uma melhor identificação das peças.



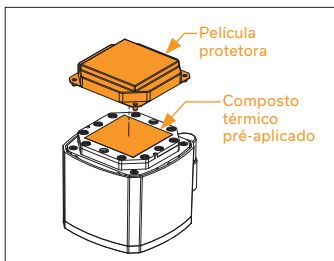
PASSO 2: PRENDER OS PARAFUSOS DE FIXAÇÃO (AMD)

Instale 4x parafusos de fixação de aperto para o socket AMD AM4/AM5 na sua placa principal. Os parafusos podem ser instalados usando a Ferramenta de Parafuso de Fixação. Não utilize outras ferramentas (p. ex. alicates), porque podem danificar a placa principal.



PASSO 3: INSTALAR AS VENTOINHAS DO RADIADOR (AMD)

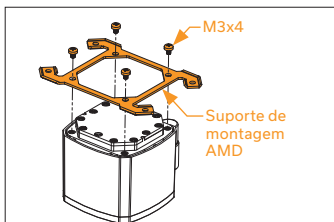
Monte as ventoinhas (2x ou 3x... dependendo da versão AIO) no radiador com os parafusos UNC 6-32 x 30 mm.



PASSO 4: REMOÇÃO DA COBERTURA DE PROTEÇÃO DA "COLD-PLATE" (AMD)

Retire a cobertura de proteção da parte de trás da unidade da bomba. A cobertura serve apenas para evitar danos na "cold-plate" e no composto térmico pré-aplicado que se encontra na "cold-plate".

Ao remover a cobertura de proteção e proceder à instalação, tenha cuidado para não tocar no composto térmico pré-aplicado nem danificar o mesmo.



PASSO 5: INSTALAÇÃO DOS SUPORTES DE MONTAGEM (AMD)

Use 4 parafusos M3x4 para instalar o suporte AMD na unidade da bomba.

Tenha cuidado para não tocar no composto térmico pré-aplicado nem danificar o mesmo.

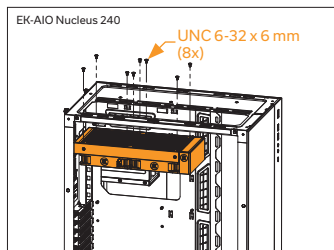
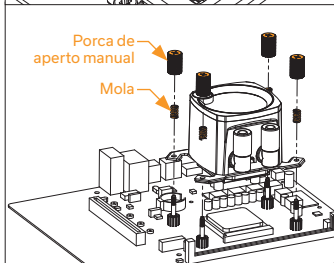


PASSO 6: INSTALAÇÃO DA UNIDADE DA BOMBA (AMD)

Limpe a superfície de contacto do CPU (usando um pano não abrasivo ou um cotonete, conforme indicado na imagem exemplificativa).

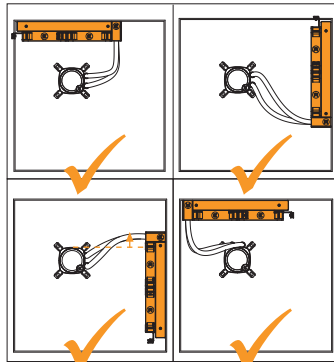
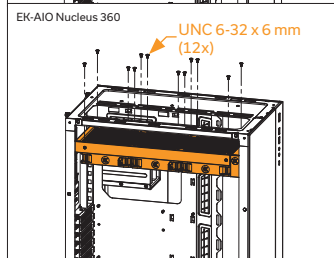
Alinhe a unidade da bomba sobre os parafusos de fixação e o CPU, conforme exemplificado na imagem.

Coloque as molas de compressão e as porcas de aperto manual fornecidas sobre os parafusos de fixação (4x). Comece a apertar duas porcas de aperto de cada vez, de preferência em cruz, e não as aperte completamente até que todas estejam parcialmente enroscadas.



PASSO 7: INSTALAR A MONTAGEM DAS VENTOINHAS E DO RADIADOR NUMA CARÇAÇA PARA PC (AMD)

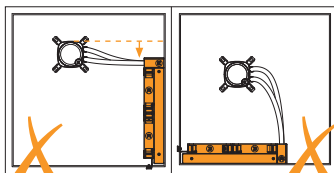
Fixe a montagem do radiador e da(s) ventoinha(s) à carcaça para PC com os parafusos UNC 6-32 x 6 mm.



Radiador em cima (recomendado).

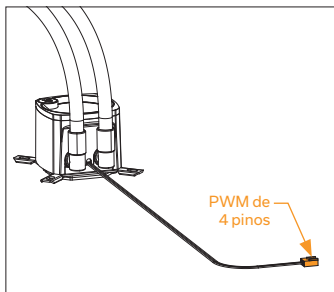
Colocação vertical do radiador com tubagem na parte inferior (recomendado).

Colocação vertical do radiador com tubagens na parte superior. (O reservatório do radiador tem de estar acima da unidade da bomba.)



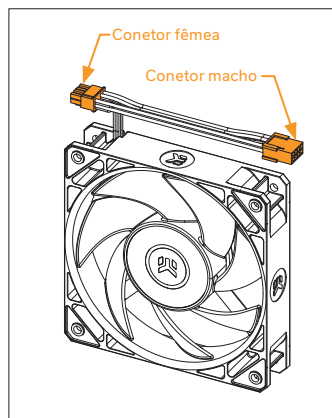
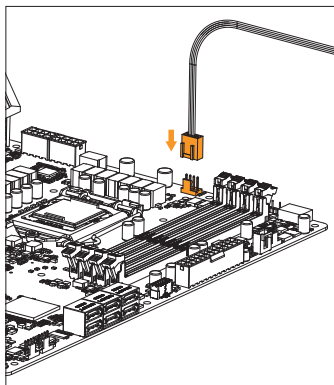
Evite a colocação vertical do radiador com as tubagens na parte superior. (Se o reservatório do radiador estiver abaixo da unidade da bomba.)

Evite colocar o radiador na parte inferior.

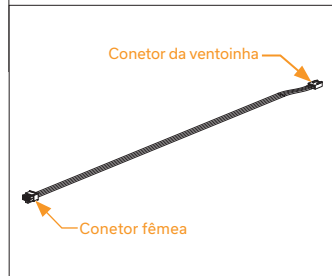


PASSO 8: BOMBA - CABOS DE LIGAÇÃO (AMD)

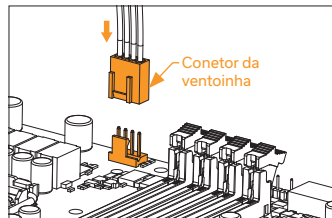
PASSO A:
Ligue o conector PWM de 4 pinos da bomba à placa principal.

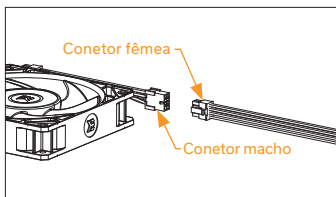


PASSO 9: VENTOINHAS - CABOS DE LIGAÇÃO (AMD)



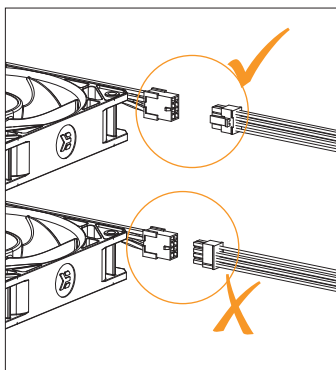
PASSO A:
Ligue o conector de 4 pinos da VENTOINHA do cabo de extensão diretamente ao conector Header da ventoinha do CPU na placa principal. Sempre que possível, use um conector Header da ventoinha do CPU.



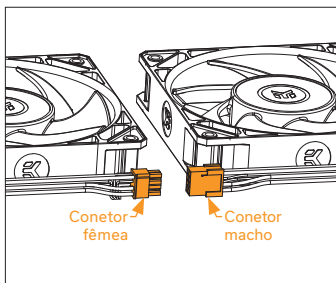


PASSO B:

Ligue o conector fêmea do cabo de extensão ao conector macho da primeira ventoinha em linha.



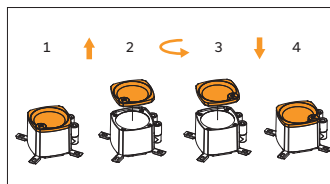
Tenha o cuidado de ligar corretamente o conector Micro-fit.



PASSO C:

No caso da versão EK-Nucleus AIO CR240 ou EK-Nucleus AIO CR360, ligue a segunda e a terceira ventoinhas em linha com a "cadeia de margaridas".

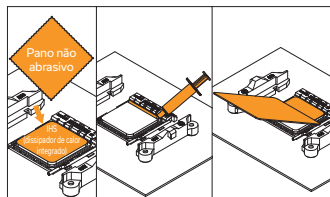
Tenha o cuidado de ligar corretamente o conector.



PASSO 10: ORIENTAÇÃO DA PARTE SUPERIOR DA BOMBA (AMD)

Levante a parte superior, rode-a até o logótipo EK estar corretamente orientado e volte a posá-la. Os ímanes irão manter a parte superior no devido lugar.

Parabéns! Instalou corretamente o seu EK-Nucleus AIO.



PASSO OPCIONAL! APLICAR O COMPOSTO TÉRMICO

Este passo é relevante apenas no caso de uma segunda instalação de AIO ou caso tenha danificado a pasta pré-aplicada na parte de trás da unidade da bomba. Na primeira instalação, não necessita de aplicar o composto térmico adicional na superfície de contacto do CPU.

Limpe a superfície de contacto do CPU (usando um pano não abrasivo ou um cotonete), conforme indicado na imagem exemplificativa). Num IHP (dissipador de calor integrado) limpo, aplique uma linha de composto térmico e espalhe sobre toda a superfície do dissipador de calor integrado (IHP) do CPU, usando um cartão de crédito ou algo semelhante.

7. INSTRUÇÕES GERAIS DE SEGURANÇA

Medidas de primeiros socorros:

Contacto da pele com o líquido de arrefecimento: Remover o vestuário contaminado e enxaguar abundantemente com água corrente ou com soro fisiológico normal. Se os sintomas se desenvolverem e persistirem, procurar assistência médica profissional.

Contacto dos olhos com o líquido de arrefecimento: Abrir imediatamente as pálpebras superiores e inferiores, lavar com água corrente ou enxaguar com soro fisiológico normal. Se a irritação persistir, procurar assistência médica profissional.

Inalação de líquido de arrefecimento: Retirar-se do local de exposição para apanhar ar fresco. Se os sintomas se desenvolverem e persistirem, procurar assistência médica profissional.

Ingestão de líquido de arrefecimento: Beber muita água morna e não provocar o vômito. Em caso de dúvida ou mal-estar, procurar assistência médica profissional.

Contacto da pele com a pasta térmica: Lavar abundantemente com água e sabão durante um mínimo de 15 minutos. O vestuário contaminado deve ser removido imediatamente. Se a irritação persistir, procurar assistência médica profissional.

Contacto dos olhos com a pasta térmica: Enxaguar abundantemente com água corrente durante um mínimo de 15 minutos. Se a irritação persistir, procurar assistência médica profissional.

Inalação de pasta térmica: Na ocorrência de efeitos adversos, retirar-se para uma área não contaminada. Em caso de paragem respiratória, iniciar imediatamente respiração artificial. Procurar assistência médica profissional.

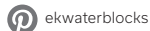
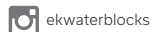
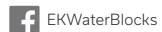
Ingestão de pasta térmica: Beber 2 copos grandes de água. Não provocar o vômito. Se for ingerida uma grande quantidade ou se o desconforto persistir, procurar assistência médica profissional.

8. SUPORTE E ASSISTÊNCIA TÉCNICA

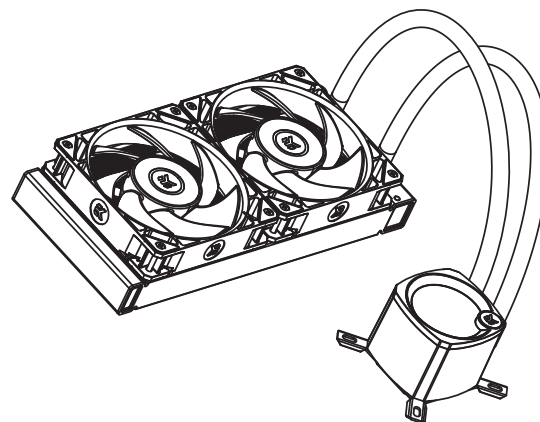
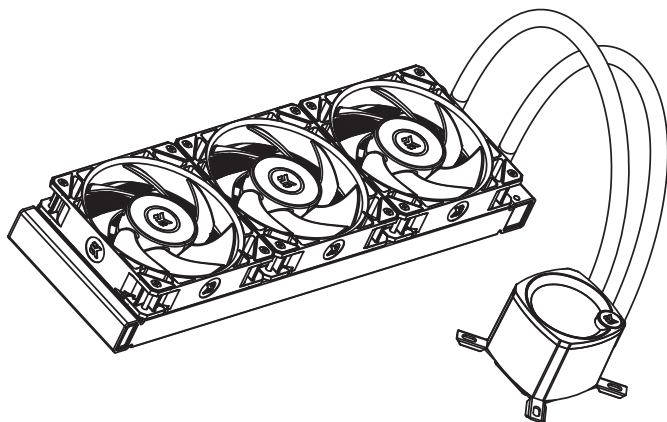
Para assistência, contacte: <http://support.ekwb.com/>

EKWB d.o.o.
Pod lipami 18
1218 Komenda
Eslovénia - UE

9. REDES SOCIAIS



EK-Nucleus AIO CR360 Dark / CR240 Dark



Для обеспечения безопасности при установке и упрощения установки, до начала установки внимательно прочтите эту инструкцию!

Совместимо с:
Разъем Intel Socket 115X/1200/1700/20xx CPUs
Разъем AMD Socket AM4/AM5 CPUs

ИНСТРУКЦИЯ ПО УСТАНОВКЕ

СОДЕРЖАНИЕ

1. МЕРЫ БЕЗОПАСНОСТИ	88
2. ТЕХНИЧЕСКИЕ ХАРАКТЕРИСТИКИ	88
3. В ЭТОТ ПАКЕТ ВХОДЯТ	89
КОРОБКА ДЛЯ АКСЕССУАРОВ	89
4. УСТАНОВКА – INTEL LGA 115X/1200/1700 SOCKET	90
ШАГ 1: СНЯТИЕ МАТЕРИНСКОЙ ПЛАТЫ	90
ШАГ 2: ПРИКРЕПЛЕНИЕ БЭКПЛЕЙТА К МАТЕРИНСКОЙ ПЛАТЕ	90
ШАГ 3: УСТАНОВКА МОНТАЖНЫХ ВИНТОВ	90
ШАГ 4: УСТАНОВКА ВЕНТИЛЯТОРОВ НА РАДИАТОР	90
ШАГ 5: СНЯТИЕ ЗАЩИТНОЙ КРЫШКИ ОХЛАЖДАЮЩЕЙ ПЛИТЫ	90
ШАГ 6: УСТАНОВКА МОНТАЖНЫХ КРОНШТЕЙНОВ	90
ШАГ 7: УСТАНОВКА НАСОСНОГО АГРЕГАТА	90
ШАГ 8: УСТАНОВКА БЛОКА ВЕНТИЛЯТОРОВ И РАДИАТОРА В КОРПУС ПК	91
ШАГ 9: НАСОС – СОЕДИНИТЕЛЬНЫЕ КАБЕЛИ	91
ШАГ 10: ВЕНТИЛЯТОРЫ – СОЕДИНИТЕЛЬНЫЕ КАБЕЛИ	92
ШАГ 11: ОРИЕНТАЦИЯ ВЕРХА НАСОСА	93
НЕОБЯЗАТЕЛЬНЫЙ ШАГ! НАНЕСЕНИЕ ТЕРМОПАСТЫ	93
5. УСТАНОВКА – INTEL LGA 20XX SOCKET	93
ШАГ 1: УСТАНОВКА МОНТАЖНЫХ ВИНТОВ (LGA 20XX)	93
6. УСТАНОВКА – AMD AM4/AM5 SOCKET	93
ШАГ 1: СНЯТИЕ ОРИГИНАЛЬНЫХ ПЛАСТМАССОВЫХ ПРИЖИМНЫХ СКОБ (AMD)	93
ШАГ 2: УСТАНОВКА МОНТАЖНЫХ ВИНТОВ (AMD)	93
ШАГ 3: УСТАНОВКА ВЕНТИЛЯТОРОВ НА РАДИАТОР (AMD)	93
ШАГ 4: СНЯТИЕ ЗАЩИТНОЙ КРЫШКИ ОХЛАЖДАЮЩЕЙ ПЛИТЫ (AMD)	94
ШАГ 5: УСТАНОВКА МОНТАЖНЫХ КРОНШТЕЙНОВ (AMD)	94
ШАГ 6: УСТАНОВКА НАСОСНОГО АГРЕГАТА (AMD)	94
ШАГ 7: УСТАНОВКА БЛОКА ВЕНТИЛЯТОРОВ И РАДИАТОРА В КОРПУС ПК (AMD)	94
ШАГ 8: НАСОС – СОЕДИНИТЕЛЬНЫЕ КАБЕЛИ (AMD)	95
ШАГ 9: ВЕНТИЛЯТОРЫ – СОЕДИНИТЕЛЬНЫЕ КАБЕЛИ (AMD)	95
ШАГ 10: ОРИЕНТАЦИЯ ВЕРХА НАСОСА (AMD)	96
НЕОБЯЗАТЕЛЬНЫЙ ШАГ! НАНЕСЕНИЕ ТЕРМОПАСТЫ	96
7. ОБЩИЕ МЕРЫ БЕЗОПАСНОСТИ	96
8. ПОДДЕРЖКА И СЕРВИС	97
9. СОЦИАЛЬНЫЕ СЕТИ	97

Для обеспечения правильной установки следуйте указаниям, приведенным в этой инструкции. Неправильная установка может привести к повреждению оборудования. Компания EK Water Blocks не берет на себя никакой ответственности за использование и установку этих изделий - ни явно выраженную, ни подразумеваемую. Следующая инструкция может быть изменена без уведомления. Обновления приводятся на веб-сайте: www.ekwb.com.

1. МЕРЫ БЕЗОПАСНОСТИ

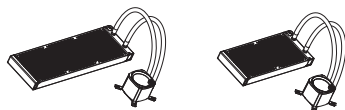
1. Храните изделие в местах, недоступных для детей.
2. Перед установкой проверьте перечень компонентов и состояние изделия. При обнаружении проблемы свяжитесь с торговым предприятием, где вы приобрели изделие, чтобы получить замену или вернуть назад деньги.
3. Компания EKWB d.o.o. не несет ответственность за повреждения, вызванные внешними причинами, включая, помимо прочего, неправильное использование, проблемы с электропитанием, аварию, небрежность, внесение изменений, ремонт, неправильную установку и неправильное испытание.
4. При неправильном использовании возможно повреждение ЦП и материнской платы.
5. Избыточное усилие, приложенное к вентилятору, может вызвать повреждение вентилятора или системы.
6. Это изделие является комплектом оборудования жидкостного охлаждения ЦП, содержащим оригинальные комплектующие детали EKWB. Объединение этого устройства жидкостного охлаждения с комплектующими деталями, поставленными не компанией EK Water Blocks, а другими поставщиками, может привести к отмене гарантийных обязательств.
7. Конструкция и технические характеристики изделия могут быть изменены для повышения его качества и рабочих характеристик.
8. Нельзя эксплуатировать насос при скорости вращения ниже 20 % об/мин. Насос постоянно должен оставаться в пределах режима 20-100 % ШИМ. Мы рекомендуем всегда эксплуатировать насос при 100 %. (В качестве помощи при контроле ШИМ обращайтесь к инструкции к материнской плате.)

2. ТЕХНИЧЕСКИЕ ХАРАКТЕРИСТИКИ

Модель		EK-Nucleus AIO CR240 Dark	EK-Nucleus AIO CR360 Dark
Радиатор	Размеры	277 x 120 x 27 мм	398 x 120 x 27 мм
	Материал ребер	Al	Al
Вентилятор	Размеры	120 x 120 x 25 мм (2x)	120 x 120 x 25 мм (2x)
	Частота вращения	550-2300 Об/мин ±10 % (ШИМ: 20-100 %)	550-2300 Об/мин ±10 % (ШИМ: 20-100 %)
	Воздушный поток	72 куб. фут/мин	72 куб. фут/мин
	Ожидаемый срок службы	70 000 часов	70 000 часов
	Уровень шума	36 дБ	36 дБ
	Тип подшипника	Гидродинамический подшипник (ГДП)	Гидродинамический подшипник (ГДП)
	Соединитель вентилятора	4-выводной	4-выводной
Номинальное напряжение вентилятора	12 В	12 В	
Насос	Размеры (мм)	82,3 x 69,2 x 61,6 мм	82,3 x 69,2 x 61,6 мм
	Об/мин	3100 Об/мин ±10 % (ШИМ: 20-100 %)	3100 Об/мин ±10 % (ШИМ: 20-100 %)
	Ожидаемый срок службы	70 000 часов	70 000 часов
	Уровень шума	18,5 дБ	18,5 дБ
	Входной ток	0,37 ±10 % А	0,37 ±10 % А

3. В ЭТОТ ПАКЕТ ВХОДЯТ

ЕК-Nucleus AIO CR240 Dark /
ЕК-Nucleus AIO CR360 Dark
(1x)



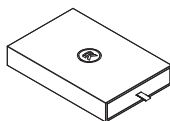
ЕК-FPT FAN 120ER Full Pressure Technology Вентилятор
(2x / 3x – количество вентиляторов зависит от версии AIO)



Удлинительный кабель 500 мм



Коробка для аксессуаров
(1x)



Руководство пользователя
(1x)



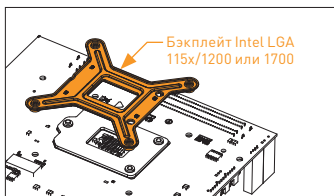
КОРБКА ДЛЯ АКСЕССУАРОВ

Винт с крестообразным шлицем UNC 6-32 x 30 мм (длина резьбы 4 мм) 8x /12x		Винт с крестообразным шлицем UNC 6-32 x 6 мм 8x /12x	
Винт с крестообразным шлицем UNC 6-32 x 34 мм 8x /12x		Винт с крестообразным шлицем М3 x 4мм пластины крепления (для установки монтажных кронштейнов) 4x	
Крепежный винт с накатной головкой для разъема Intel LGA 115x/ LGA1200/LGA1700/AMD AM4/AM5 4x		Крепежный винт с накатной головкой для разъема Intel LGA 20XX 4x	
Гайка-барашек (Intel /AMD) 4x		Пружина 4x	
Бэклейт Intel LGA 115x/1200 1x		Бэклейт Intel LGA 1700 1x	
Монтажный кронштейн Intel 1x		Монтажный кронштейн AMD 1x	
Тюбик теплопроводящей пасты 1x		Инструмент для монтажных винтов 1x	

4. УСТАНОВКА – INTEL LGA 115X/1200/1700 SOCKET

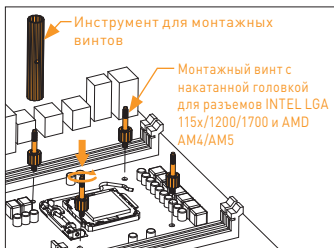
ШАГ 1: СНЯТИЕ МАТЕРИНСКОЙ ПЛАТЫ

Если на вашем ПК нет выреза с нижней стороны ЦП материнской платы, сначала с компьютера необходимо снять материнскую плату.



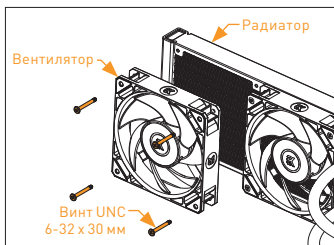
ШАГ 2: ПРИКРЕПЛЕНИЕ БЭКПЛЕЙТА К МАТЕРИНСКОЙ ПЛАТЕ

Установите бэкллейт Intel для разъема LGA-115x/1200/1700 на заднюю часть материнской платы. Выберите бэкллейт, соответствующий используемому чипсету. Совместите отверстия на материнской плате с отверстиями на бэкллейте.



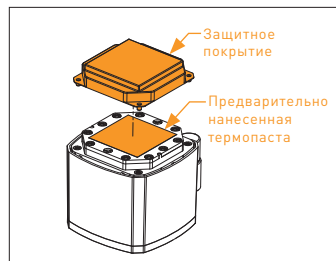
ШАГ 3: УСТАНОВКА МОНТАЖНЫХ ВИНТОВ

Установите 4х монтажных винта с накатанной головкой через вашу материнскую плату на бэкллейт. Винты можно установить с помощью инструмента для монтажных винтов. Не используйте другие инструменты (т. е. плоскогубцы), поскольку вы можете повредить материнскую плату.



ШАГ 4: УСТАНОВКА ВЕНТИЛЯТОРОВ НА РАДИАТОР

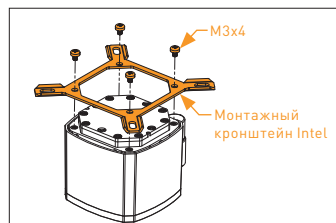
С помощью винтов UNC 6-32 x 30 мм прикрепите вентиляторы (2х или 3х ... в зависимости от версии AIO) к радиатору.



ШАГ 5: СНЯТИЕ ЗАЩИТНОЙ КРЫШКИ ОХЛАЖДАЮЩЕЙ ПЛИТЫ

Снимите с задней стороны насосного агрегата защитную крышку. Она служит только для предотвращения повреждения охлаждающей плиты и предварительно нанесенной термопасты на охлаждающей плите.

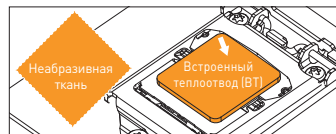
При снятии защитной крышки и продолжении установки будьте осторожны - не притрагивайтесь к предварительно нанесенной термопасте и не повреждайте её.



ШАГ 6: УСТАНОВКА МОНТАЖНЫХ КРОНШТЕЙНОВ

С помощью 4х винтов M3 x 4 установите кронштейн Intel на насосный агрегат.

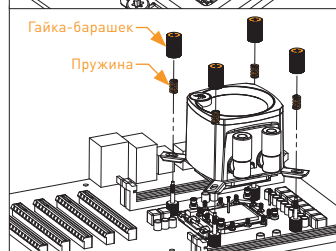
Будьте осторожны - не притрагивайтесь к предварительно нанесенной термопасте и не повреждайте её.



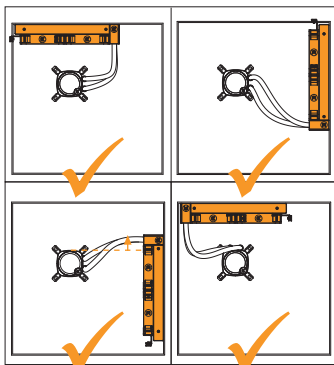
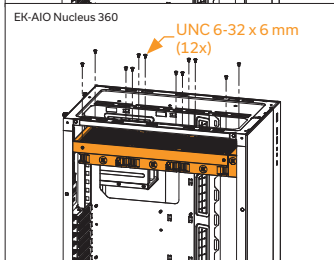
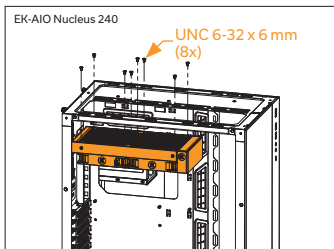
ШАГ 7: УСТАНОВКА НАСОСНОГО АГРЕГАТА

Протрите контактную поверхность ЦП (с использованием неабразивной ткани или ватной палочки, как показано на рисунке с примером).

Выверните насосный агрегат над крепежными винтами и ЦП, как показано на рисунке.



Установите поставленные в комплекте пружины сжатия и гайки-барашки над крепежными винтами (4х). Гайки-барашки устанавливайте по две штуки за раз, предпочтительно крест-накрест, и не затягивайте их до конца, пока не наживлены все гайки-барашки.



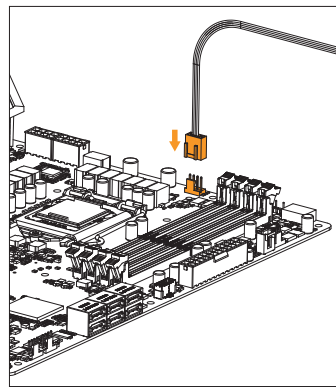
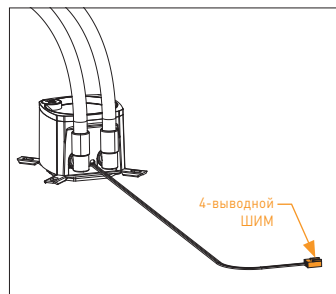
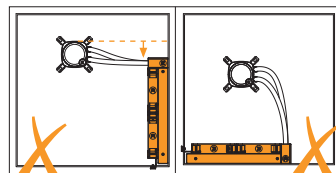
ШАГ 8: УСТАНОВКА БЛОКА ВЕНТИЛЯТОРОВ И РАДИАТОРА В КОРПУС ПК

С помощью винтов UNC 6-32 x 6 мм прикрепите блок радиатора и вентилятор(ов) к корпусу ПК.

Радиатор сверху (рекомендуется).

Вертикальная установка радиатора с трубами в нижней части (рекомендуется).

Вертикальное размещение радиатора с трубами сверху. (Резервуар радиатора должен быть расположен выше насосной установки.)



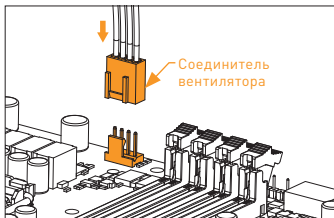
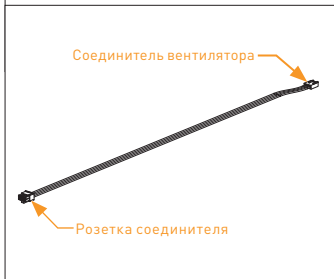
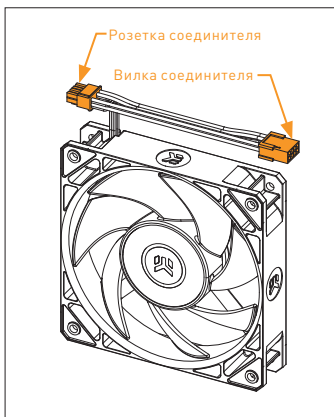
Избегайте вертикального размещения радиатора с трубами сверху. (Если резервуар радиатора расположен ниже насосной установки.)

Не устанавливайте радиатор в нижней части.

ШАГ 9: НАСОС – СОЕДИНИТЕЛЬНЫЕ КАБЕЛИ

ШАГ А:

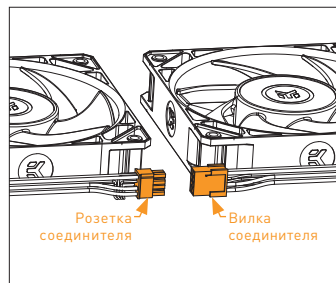
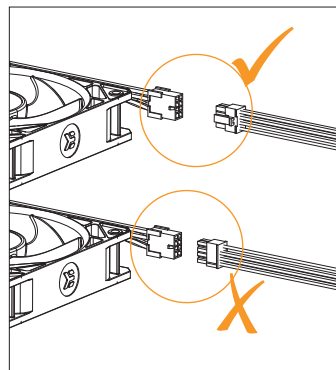
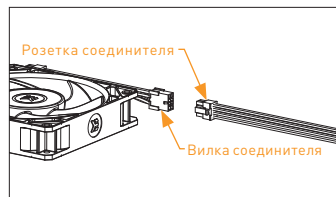
Присоедините 4-выводной соединитель ШИМ от насоса к материнской плате.



ШАГ 10: ВЕНТИЛЯТОРЫ – СОЕДИНИТЕЛЬНЫЕ КАБЕЛИ

ШАГ А:

Присоедините 4-выводной соединитель вентилятора от удлинительного кабеля напрямую к разъему вентилятора ЦП на материнской плате. По возможности всегда используйте разъем вентилятора ЦП.



ШАГ В:

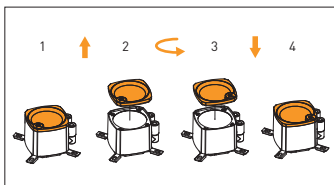
Присоедините гнездовой соединитель от удлинительного кабеля к вилочному соединителю от первого вентилятора в линии.

Будьте осторожны - поворачивайте разъем micro-fit правильно.

ШАГ С:

В случае версии EK-Nucleus AIO CR240 или EK-Nucleus AIO CR360, присоедините второй и третий вентилятор последовательно с «гирляндным соединением».

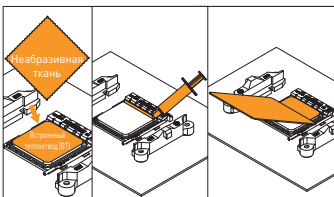
Будьте осторожны - поворачивайте разъем правильно.



ШАГ 11: ОРИЕНТАЦИЯ ВЕРХА НАСОСА

Поднимите верх, поверните так, чтобы логотип EK имел правильную ориентацию, и установите обратно. Магниты будут удерживать верх на месте.

Поздравляем! Вы успешно установили EK-Nucleus AIO.

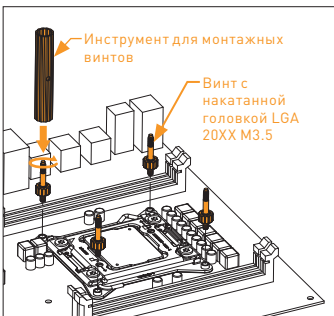


НЕОБЯЗАТЕЛЬНЫЙ ШАГ! НАНЕСЕНИЕ ТЕРМОПАСТЫ

Этот шаг относится только ко второй установке AIO и к случаю, когда была повреждена предварительно нанесенная паста на задней стороне насосного агрегата. При первой установке не требуется нанесение дополнительного количества термопасты на контактную поверхность ЦП.

Протрите контактную поверхность ЦП (с использованием неабразивной ткани или ватной палочки, как показано на фото с примером). Нанесите на чистый встроенный теплоотвод полосу термопасты и распределите её кредитной картой или аналогичным предметом по всему встроенному теплоотводу ЦП.

5. УСТАНОВКА – INTEL LGA 20XX SOCKET

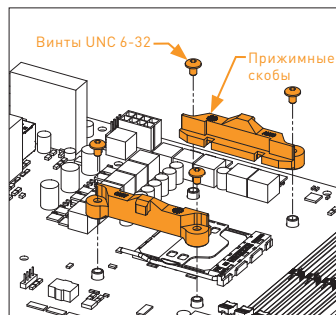


ШАГ 1: УСТАНОВКА МОНТАЖНЫХ ВИНТОВ (LGA 20XX)

Материнские платы с разъемом LGA 20xx (2066/2011 V3/2011) не требуют установки бэклойта. Установите монтажные винты с накатанной головкой 4x LGA 20XX в резьбовые бобышки M4 на встроенном фиксирующем устройстве (ILM) разъема LGA 20XX. Винты можно установить с помощью инструмента для монтажных винтов. Не используйте другие инструменты (т. е. плоскогубцы), поскольку вы можете повредить материнскую плату.

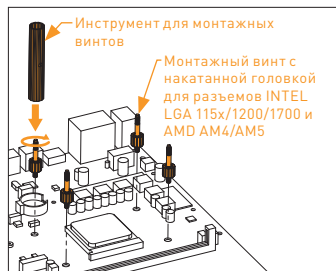
⚠ Продолжите установку с соблюдением инструкции ШАГА 4 на странице 90!

6. УСТАНОВКА – AMD AM4/AM5 SOCKET



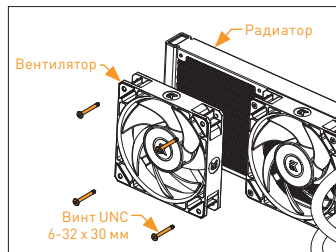
ШАГ 1: СНЯТИЕ ОРИГИНАЛЬНЫХ ПЛАСТМАССОВЫХ ПРИЖИМНЫХ СКОБ (AMD)

С использованием отвертки для винтов с крестообразным шлицем, снимите четыре винта UNC 6-32, крепящие оригинальные пластмассовые прижимные скобы вокруг разъема, как показано на рисунке. **Сохраните оригинальный бэклойт AMD®**, снимите оригинальные прижимные скобы и поместите их на хранение в другом месте. Расположение и названия деталей показаны на рисунке.



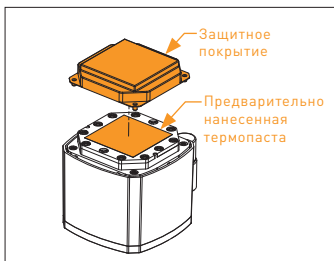
ШАГ 2: УСТАНОВКА МОНТАЖНЫХ ВИНТОВ (AMD)

Установите на вашу материнскую плату 4x монтажных винта с накатанной головкой для разъема AMD AM4/AM5. Винты можно установить с помощью инструмента для монтажных винтов. Не используйте другие инструменты (т. е. плоскогубцы), поскольку вы можете повредить материнскую плату.



ШАГ 3: УСТАНОВКА ВЕНТИЛЯТОРОВ НА РАДИАТОР (AMD)

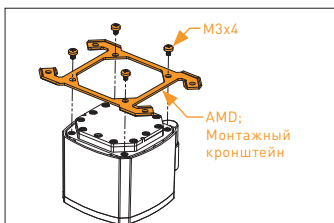
С помощью винтов UNC 6-32 x 30 мм прикрепите вентиляторы (2x или 3x ... в зависимости от версии AIO) к радиатору.



ШАГ 4: СНЯТИЕ ЗАЩИТНОЙ КРЫШКИ ОХЛАЖДАЮЩЕЙ ПЛИТЫ (AMD)

Снимите с задней стороны насосного агрегата защитную крышку. Она служит только для предотвращения повреждения охлаждающей плиты и предварительно нанесенной термопасты на охлаждающей плите.

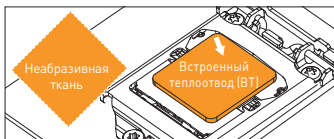
При снятии защитной крышки и продолжении установки будьте осторожны - не притрагивайтесь к предварительно нанесенной термопасте и не повреждайте её.



ШАГ 5: УСТАНОВКА МОНТАЖНЫХ КРОНШТЕЙНОВ (AMD)

С помощью 4х винтов M3 x 4 установите кронштейн AMD на насосный агрегат.

Будьте осторожны - не притрагивайтесь к предварительно нанесенной термопасте и не повреждайте её.

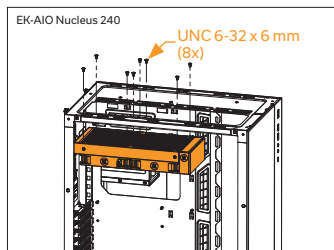
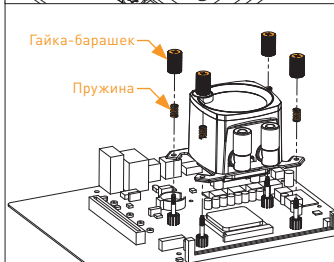


ШАГ 6: УСТАНОВКА НАСОСНОГО АГРЕГАТА (AMD)

Протрите контактную поверхность ЦП (с использованием неабразивной ткани или ватной палочки, как показано на рисунке с примером).

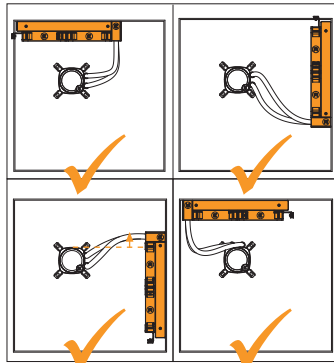
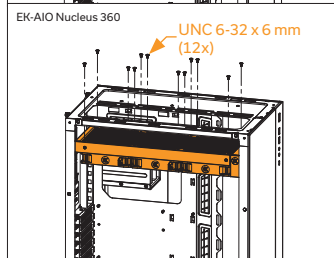
Выверните насосный агрегат над крепежными винтами и ЦП, как показано на рисунке.

Установите поставленные в комплекте пружины сжатия и гайки-барашки над крепежными винтами (4х). Гайки-барашки устанавливайте по две штуки за раз, предпочтительно крест-накрест, и не затягивайте их до конца, пока не наживлены все гайки-барашки.



ШАГ 7: УСТАНОВКА БЛОКА ВЕНТИЛЯТОРОВ И РАДИАТОРА В КОРПУС ПК (AMD)

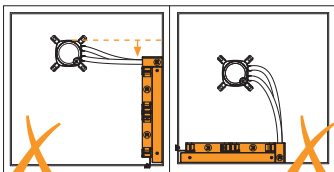
С помощью винтов UNC 6-32 x 6 мм прикрепите блок радиатора и вентилятора(ов) к корпусу ПК.



Радиатор сверху (рекомендуется).

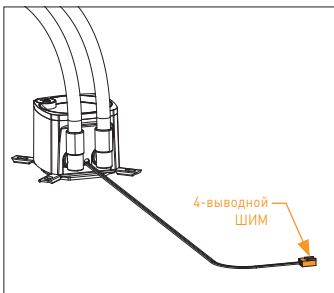
Вертикальная установка радиатора с трубами в нижней части (рекомендуется).

Вертикальное размещение радиатора с трубками сверху. (Резервуар радиатора должен быть расположен выше насосной установки.)

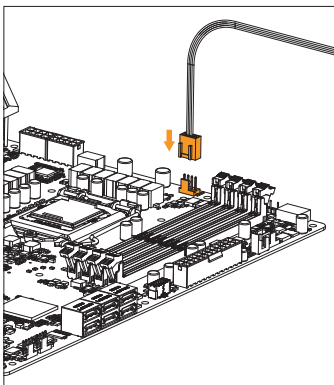


Избегайте вертикального размещения радиатора с трубками сверху. (Если резервуар радиатора расположен ниже насосной установки.)

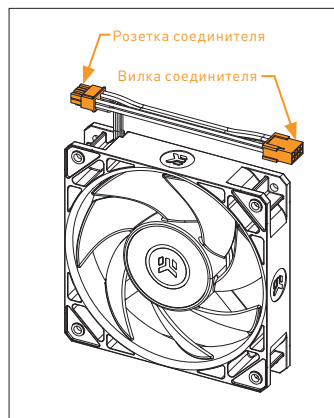
Не устанавливайте радиатор в нижней части.



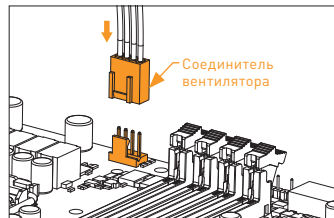
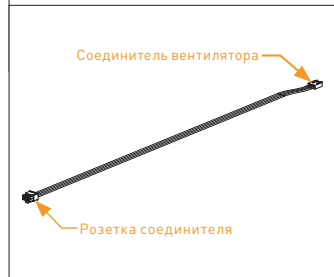
ШАГ 8: НАСОС – СОЕДИНИТЕЛЬНЫЕ КАБЕЛИ (AMD)



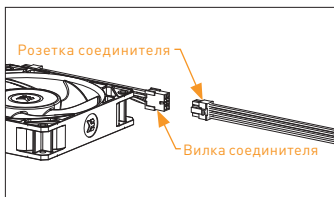
ШАГ А:
Присоедините 4-выводной соединитель ШИМ от насоса к материнской плате.



ШАГ 9: ВЕНТИЛЯТОРЫ – СОЕДИНИТЕЛЬНЫЕ КАБЕЛИ (AMD)

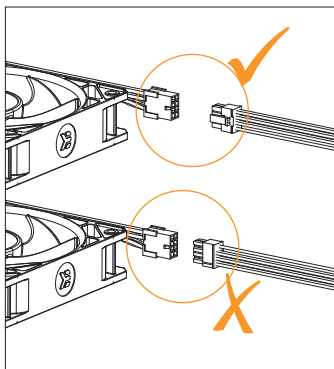


ШАГ А:
Присоедините 4-выводной соединитель вентилятора от удлинительного кабеля напрямую к разъему вентилятора ЦП на материнской плате. По возможности всегда используйте разъем вентилятора ЦП.

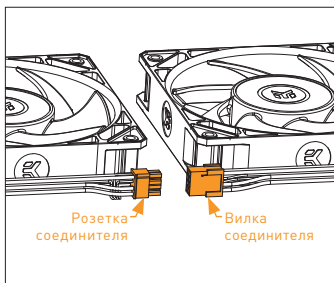


ШАГ В:

Присоедините гнездовой соединитель от удлинительного кабеля к вилочному соединителю от первого вентилятора в линии.



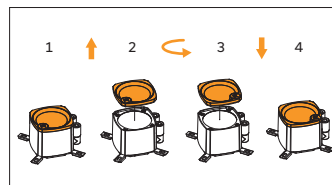
Будьте осторожны - поворачивайте разъем micro-fit правильно.



ШАГ С:

В случае версии EK-Nucleus AIO CR240 или EK-Nucleus AIO CR360, присоедините второй и третий вентилятор последовательно с «гирляндным соединением».

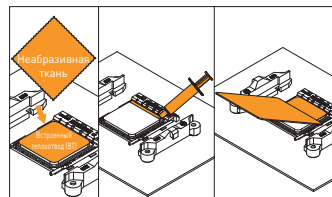
Будьте осторожны - поворачивайте разъем правильно.



ШАГ 10: ОРИЕНТАЦИЯ ВЕРХА НАСОСА (AMD)

Поднимите верх, поверните так, чтобы логотип EK имел правильную ориентацию, и установите обратно. Магниты будут удерживать верх на месте.

Поздравляем! Вы успешно установили EK-Nucleus AIO.



НЕОБЯЗАТЕЛЬНЫЙ ШАГ! НАНЕСЕНИЕ ТЕРМОПАСТЫ

Этот шаг относится только ко второй установке AIO и к случаю, когда была повреждена предварительно нанесенная паста на задней стороне насосного агрегата. При первой установке не требуется нанесение дополнительного количества термопасты на контактную поверхность ЦП.

Протрите контактную поверхность ЦП (с использованием неабразивной ткани или ватной палочки, как показано на фото с примером). Нанесите на чистый встроенный теплоотвод полоску термопасты и распределите её кредитной картой или аналогичным предметом по всему встроенному теплоотводу ЦП.

7. ОБЩИЕ МЕРЫ БЕЗОПАСНОСТИ

Меры первой помощи:

В случае контакта хладагента с кожей: снимите загрязненную одежду и тщательно промойте кожу большим количеством проточной воды или изотоническим раствором. Если симптомы контакта сохраняются в течение продолжительного времени, обратитесь за профессиональной медицинской помощью.

В случае контакта хладагента с глазами: немедленно раскройте верхние и нижние веки, промойте глаза проточной водой или изотоническим раствором. Если раздражение не проходит, обратитесь за профессиональной медицинской помощью.

В случае вдыхания хладагента: выйдите на свежий воздух. Если симптомы контакта сохраняются в течение продолжительного времени, обратитесь за профессиональной медицинской помощью.

В случае проглатывания хладагента: выпейте большое количество теплой воды, но не стимулируйте рвоту. В случае сомнений или плохого самочувствия обратитесь за профессиональной медицинской помощью.

В случае контакта термопасты с кожей: тщательно промывайте кожу водой с мылом в течение минимум 15 минут. Загрязненную одежду нужно немедленно снять. Если раздражение не проходит, обратитесь за медицинской помощью.

В случае контакта термопасты с глазами: тщательно промывайте глаза проточной водой в течение минимум 15 минут. Если раздражение не проходит, обратитесь за профессиональной медицинской помощью.

В случае вдыхания термопасты: при плохом самочувствии покиньте зону, в которой присутствует термопаста. При нарушении дыхания немедленно сделайте искусственное дыхание. Обратитесь за неотложной медицинской помощью.

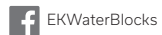
В случае проглатывания термопасты: выпейте 2 больших стакана воды. Не стимулируйте рвоту. Если вы проглотили большое количество термопасты или если ощущение дискомфорта не проходит, обратитесь за профессиональной медицинской помощью.

8. ПОДДЕРЖКА И СЕРВИС

Для получения помощи свяжитесь по ссылке: <http://support.ekwb.com/>

EKWB d.o.o.
Pod lipami 18
1218 Komenda
Словения – ЕС

9. СОЦИАЛЬНЫЕ СЕТИ



EKWaterBlocks



@EKWaterBlocks



ekwaterblocks

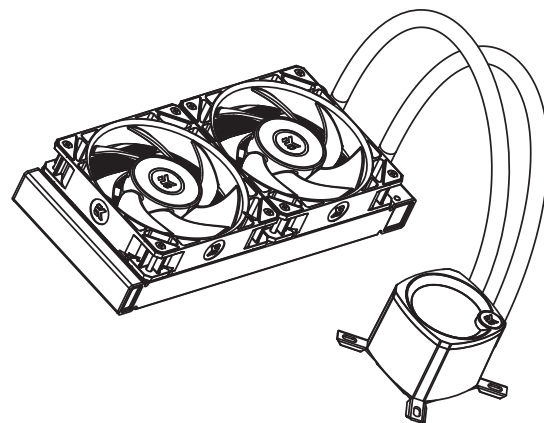
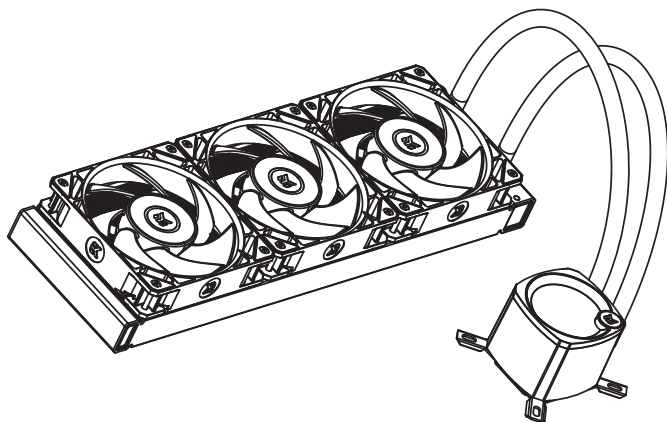


EKWBOfficial



ekwaterblocks

EK-Nucleus AIO CR360 Dark / CR240 Dark



为确保安装安全与方便，请在开始安装前仔细阅读本手册！

兼容：
英特尔的115X/1200/1700/20xx 插槽 CPU
AMD 的 AM4/AM5 插槽 CPU

内容

1. 安全须知	100
2. 规格	100
3. 本包装清单	101
配件盒	101
4. 安装 – 英特尔 LGA 115X/1200/1700 插槽	102
第 1 步: 卸下主板	102
第 2 步: 将背板安装到主板上	102
第 3 步: 固定安装螺丝	102
第 4 步: 将风扇安装到散热器上	102
第 5 步: 拆下冷板防护盖	102
第 6 步: 安装支架的安装	102
第 7 步: 安装泵单元	102
第 8 步: 将风扇和散热器组件安装到 PC 机壳中	103
第 9 步: 泵连接电缆	103
第 10 步: 风扇 – 连接电缆	104
第 11 步: 泵顶方向	105
可选步骤! 涂抹导热硅脂	105
5. 安装 – INTEL LGA 20XX SOCKET	105
第 1 步: 固定安装螺丝(LGA 20XX)	105
6. 安装 – AMD AM4/AM5 插槽	105
第 1 步: 移除原始塑料压固定夹 (AMD)	105
第 2 步: 固定安装螺丝 (AMD)	105
第 3 步: 将风扇安装到散热器上 (AMD)	105
第 4 步: 拆下冷板防护盖 (AMD)	106
第 5 步: 安装支架的安装 (AMD)	106
第 6 步: 安装泵单元 (AMD)	106
第 7 步: 将风扇和散热器组件安装到 PC 机壳中 (AMD)	106
第 8 步: 泵连接电缆 (AMD)	107
第 9 步: 风扇连接电缆 (AMD)	107
第 10 步: 泵顶方向 (AMD)	108
可选步骤! 涂抹导热硅脂	108
7. 常规安全警告	108
8. 支持和服务	109
9. 社交媒体	109

请按照本手册中的说明正确安装。安装不当可能对设备造成损坏。EK 水冷头对于使用或安装这些产品均明示或暗示不承担任何责任。以下说明如有更改，恕不另行通知。请访问我们的网站 www.ekwb.com 获取更新信息。

1. 安全须知

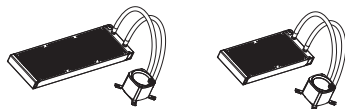
1. 请将产品存放在儿童接触不到的地方。
2. 安装前，请检查产品组件清单和状态。如果有任何问题，请与购买该产品的商店联系，以更换产品或申请退款。
3. EKWB d.o.o. 对于由于外部原因造成的任何损坏均不承担任何责任，这些原因包括但不限于：使用不当、电源问题、事故、疏忽、改动、维修、安装不当以及测试不当。
4. 如果未正确安装产品，CPU 和主板将受到损坏。
5. 对风扇施力过度可能造成风扇和/或系统损坏。
6. 本产品是 CPU 液体冷却解决方案套件，包括单个 EKWB 原始零件。将本液体冷却装置与 EK 水冷头产品以外的零件搭配使用可能导致保修损失。
7. 可能修改产品设计与规格以提高质量和性能。
8. 不得以低于 20%RPM 的速度运行泵。泵必须始终保持在 20-100% PWM 占比以内。我们建议始终以 100% 运行泵。（如要获得有关如何控制 PWM 的帮助，请参阅主板说明。）

2. 规格

型号		EK-Nucleus AIO CR240 Dark	EK-Nucleus AIO CR360 Dark
散热器	尺寸	277x120x27 mm	398x120x27 mm
	散热片材料	铝	铝
风扇	尺寸	120x120x25 mm (2x)	120x120x25 mm (2x)
	速度	550-2300 转速 ±10% (脉宽调制：20-100%)	550-2300 转速 ±10% (脉宽调制：20-100%)
	空气流量	72 CFM	72 CFM
	预期使用寿命	70,000 小时	70,000 小时
	噪音等级	36 分贝	36 分贝
	轴承类型	流体动力轴承 (FDB)	流体动力轴承 (FDB)
	风扇连接器	4针脚	4针脚
风扇额定电压	12V	12V	
泵	尺寸 (mm)	82,3x69,2x61,6 mm	82,3x69,2x61,6 mm
	转速	3100 RPM ±10% (脉宽调制：20-100%)	3100 RPM ±10% (脉宽调制：20-100%)
	预期使用寿命	70,000 小时	70,000 小时
	噪音等级	18.5 分贝	18.5 分贝
	输入电流	0.37 ±10% A	0.37 ±10% A

3. 本包装清单

EK-Nucleus AIO CR240 Dark /
EK-Nucleus AIO CR360 Dark
(1个)



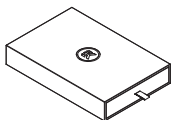
EK-FPT 风扇 120ER 全压 风扇
(2个 / 3个 - 风扇数量取决于 AIO 版本)



延长线 500mm



配件盒
(1个)



用户手册
(1本)



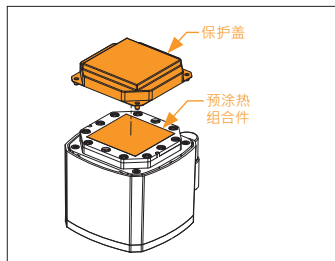
配件盒

十字头螺钉 UNC 6-32 x 30mm (4 mm 螺纹长度) 8个/12个		十字头螺钉 UNC 6-32 x 6mm 8个/12个	
十字头螺钉 UNC 6-32 x 34mm 8个/12个		安装板十字槽螺帽 M3x4mm (用于安装的安装支架) 4个	
英特尔 LGA 115x/LGA1200/ LGA1700/AMD AM4/AM5 插槽的 安装指旋螺钉 4个		英特尔 LGA 20XX 插槽的 指旋螺钉 4个	
螺母 (英特尔/AMD) 4个		弹簧 4个	
英特尔 LGA 115x/1200 背板 1个		英特尔 LGA 1700 背板 1个	
英特尔安装支架 1个		AMD 安装支架 1个	
管装导热膏 1个		安装螺丝工具 1个	

4. 安装 – 英特尔 LGA 115X/1200/1700 插槽

第 1 步：卸下主板

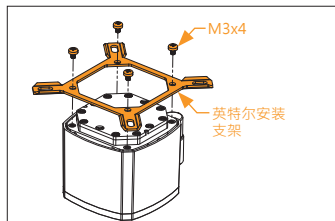
如果您的 PC 机壳的主板底部 CPU 位置处的对侧没有切口，则首先需要从计算机上卸下主板。



第 5 步：拆下冷板防护盖

从泵组件背面拆下防护盖。该防护盖只是用于防止损坏冷板及冷板上预涂的导热硅脂。

拆下防护盖及安装时，请注意不要接触或损坏预涂的导热硅脂。



第 6 步：安装支架的安装

使用 4x M3x4 螺钉将英特尔支架安装到泵单元上。

小心不要接触或损坏预涂的导热硅脂。

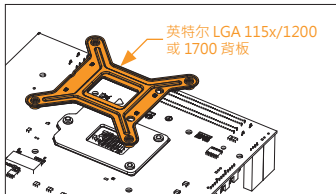
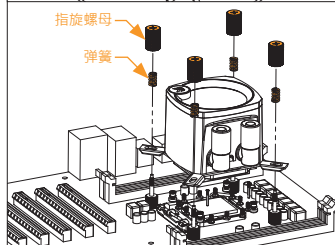


第 7 步：安装泵单元

擦拭 CPU 接触面 (如示例图所示，使用非砂布或棉签)。

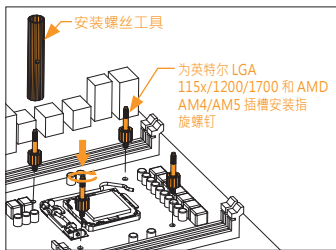
如图所示，将泵单元对准安装螺丝和 CPU。

将随附的压缩弹簧和指旋螺母放在安装螺钉 (4 个) 上，开始每次紧固两个指旋螺母，最好以十字交叉顺序进行紧固，直到将它们全部部分拧紧后再完全拧紧。



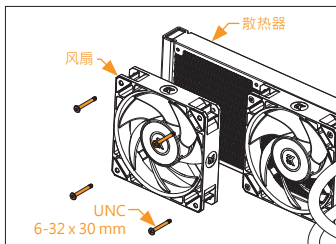
第 2 步：将背板安装到主板上

将用于 LGA-115x/1200/1700 插槽的英特尔背板安装到主板背面。根据您使用的芯片组选择正确的背板。将主板上的孔与背板上的孔对齐。



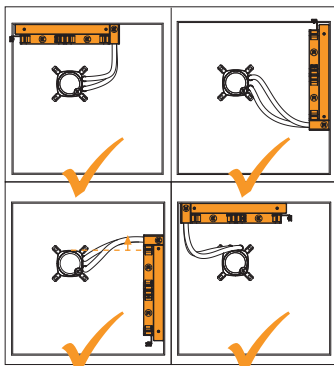
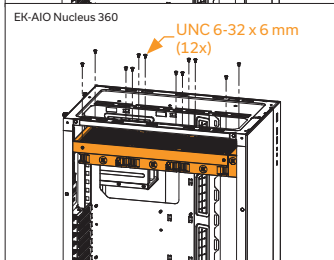
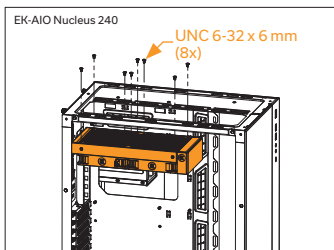
第 3 步：固定安装螺丝

通过主板将 4 个安装指旋螺钉安装到背板上。可以使用安装螺丝工具安装螺钉，切勿使用其他工具 (即钳子)，因为您可能会损坏主板。



第 4 步：将风扇安装到散热器上

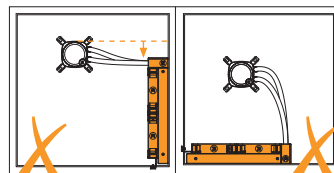
使用 UNC 6-32 x 30mm 螺钉将风扇 (2 个或 3 个，取决于 AIO 版本) 组装到散热器上。



第 8 步: 将风扇和散热器组件安装到

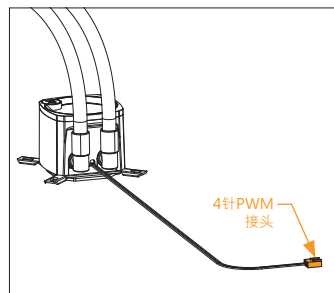
PC 机壳中

用 UNC 6-32 x 6mm 螺丝将散热器和风扇组件装到 PC 机壳上。



避免垂直放置散热器且管道位于顶部 (如果散热器水箱低于水泵装置)

避免散热器放置在底部

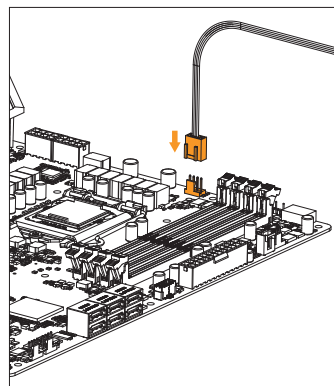


第 9 步: 泵连接电缆

先安装散热器 (推荐)

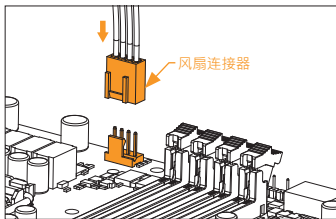
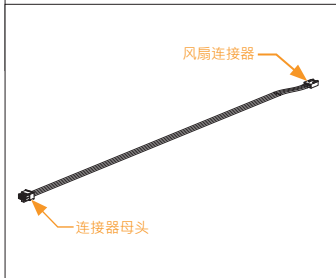
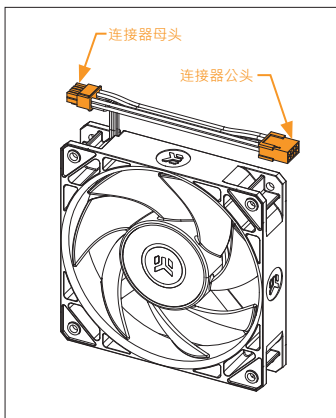
垂直放置散热器·线管放在底部 (推荐)

垂直放置散热器且管道位于顶部 (散热器水箱高于水泵装置)



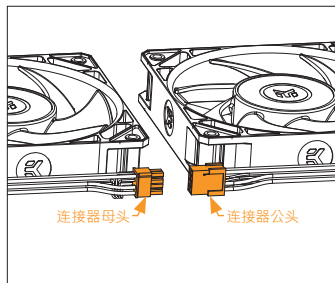
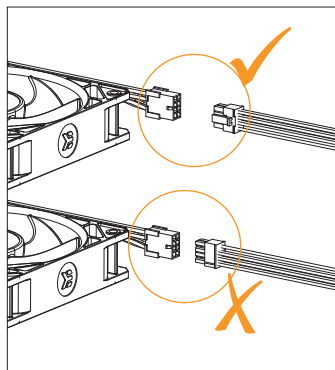
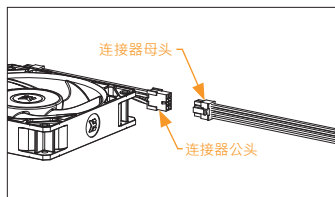
步骤 A:

将泵的 4 针 PWM 连接器插入主板。



第 10 步：风扇 – 连接电缆

步骤 A：
将 4 针风扇连接器从延长电缆直接连接到主板上的 CPU 风扇接头。如果可能，请始终使用 CPU 风扇接头。

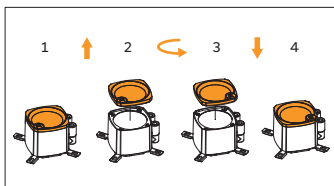


步骤 B：
将延长电缆的母端连接器连接到串联的第一个风扇的公端连接器。

小心正确转动微贴合连接器 (micro-fit connector)。

步骤 C：
对于 EK-Nucleus AIO CR240 或 EK-Nucleus AIO CR360 版本，以“菊花链”方式将第 2 个和第 3 个风扇串联在一起。

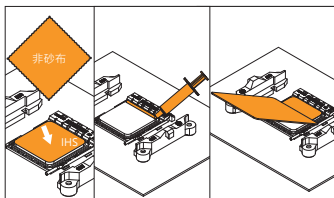
小心正确转动微贴合连接器 (micro-fit connector)。



第 11 步: 泵顶方向

抬起并旋转顶部,直到 EK 标志的朝向正确,然后放回原处。磁铁会将顶部固定住。

恭喜!您已成功安装 EK-Nucleus AIO。

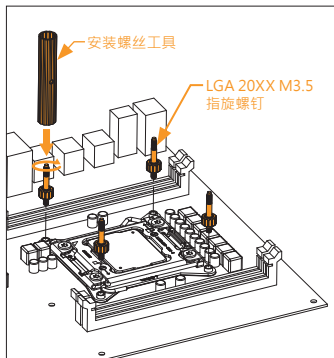


可选步骤! 涂抹导热硅脂

只有当第二次安装 AIO 或损坏了泵单元背面的预涂膏时,才需要执行该步骤。初次安装时,无需在 CPU 接触表面上使用其他导热硅脂。

擦拭 CPU 接触面(如示例图片所示,使用非研磨布或棉签)。在干净的 IHS 上,涂上一条导热硅脂,然后用信用卡或类似卡片之类的物品将其涂抹在整个 CPU 散热器(IHS)上。

5. 安装 – INTEL LGA 20XX SOCKET



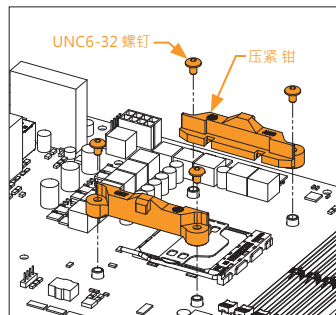
第 1 步: 固定安装螺丝(LGA 20XX)

LGA 20xx (2066 / 2011 V3 / 2011) 插槽 主板无需安装 背板。在 LGA 20XX 插槽的 集成门锁机构(ILM)上的 M4 螺纹螺栓中安装 4 颗 LGA 20XX 安装指旋螺钉。可以使用安装螺丝工具 安装螺丝。切勿使用其他工具(即钳子),因为您可能会损坏主板。



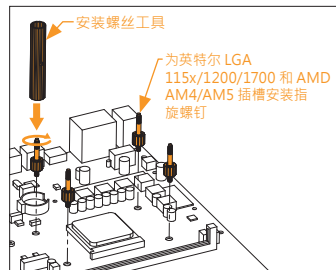
按照第 102 页 第 4 步!

6. 安装 – AMD AM4/AM5 插槽



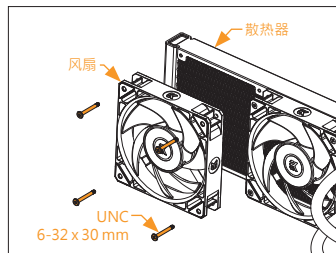
第 1 步: 移除原始塑料压固定夹 (AMD)

如图所示,使用十字头螺丝刀拧下用于将原始塑料固定夹固定在插槽周围的 4 UNC 6-32 螺钉。保留原始 AMD® 背板,然后卸下固定夹并存放起来。参见其他零件识别图像。



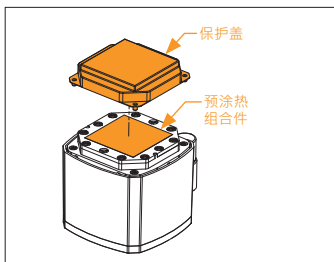
第 2 步: 固定安装螺丝 (AMD)

在主板上安装 4 个 AMD AM4/AM5 插槽的安装指旋螺钉。可以使用安装螺丝工具安装螺钉。切勿使用其他工具(即钳子),因为您可能会损坏主板。



第 3 步: 将风扇安装到散热器上 (AMD)

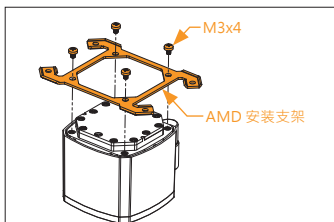
使用 UNC 6-32 x 30mm 螺钉将风扇(2 个或 3 个,取决于 AIO 版本)组装到散热器上。



第 4 步: 拆下冷板防护盖 (AMD)

从泵组件背面拆下防护盖。该防护盖只是用于防止损坏冷板及冷板上预涂的导热硅脂。

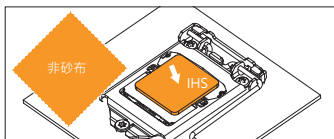
拆下防护盖及安装时, 请注意不要接触或损坏预涂的导热硅脂。



第 5 步: 安装支架的安装 (AMD)

使用 4x M3x4 螺钉将 AMD 支架安装到泵单元上。

小心不要接触或损坏预涂的导热硅脂。

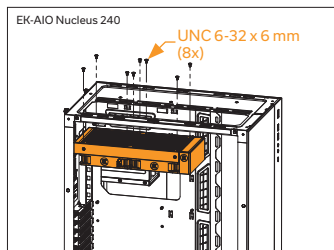
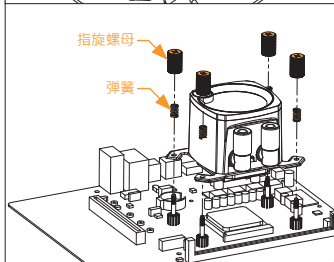


第 6 步: 安装泵单元 (AMD)

擦拭 CPU 接触面 (如示例图所示, 使用非砂布或棉签)。

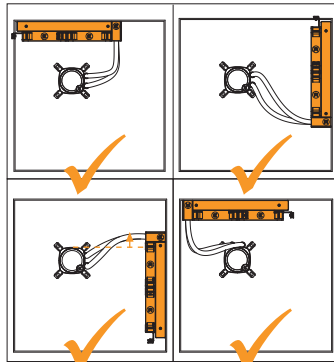
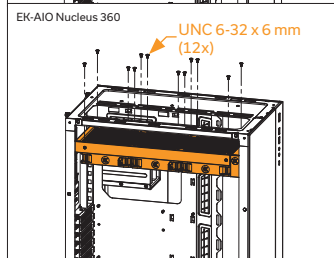
如图所示, 将泵单元对准安装螺丝和 CPU。

将随附的压缩弹簧和指旋螺母放在安装螺钉 (4 个) 上。开始每次紧固两个指旋螺母, 最好以十字交叉顺序进行紧固, 直到将它们全部部分拧紧后再完全拧紧。



第 7 步: 将风扇和散热器组件安装到 PC 机壳中 (AMD)

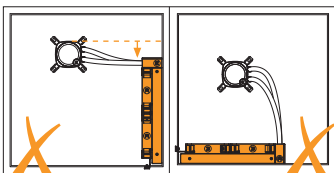
用 UNC 6-32 x 6mm 螺丝将散热器和风扇组件组装到 PC 机壳上。



先安装散热器 (推荐)

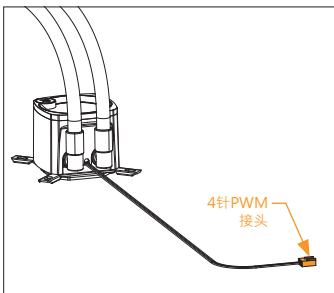
垂直放置散热器, 线管放在底部 (推荐)

垂直放置散热器且管道位于顶部 (散热器水箱需高于水泵装置)

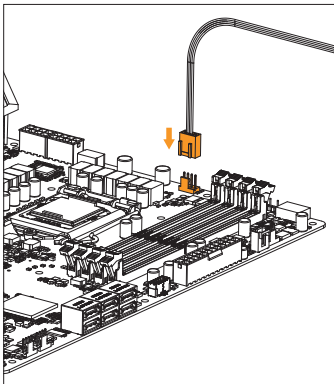


避免垂直放置散热器且管端位于顶部（如果散热器水箱低于水泵装置）

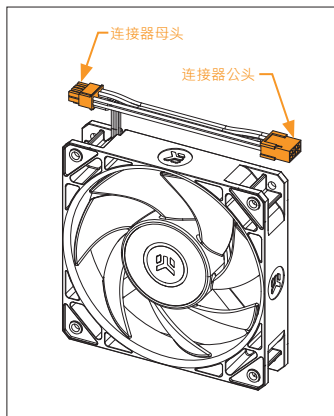
避免散热器放置在底部



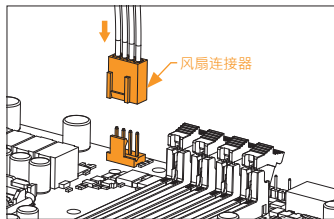
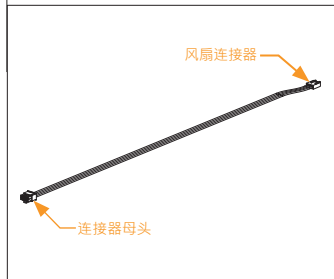
第 8 步：泵连接电缆 (AMD)



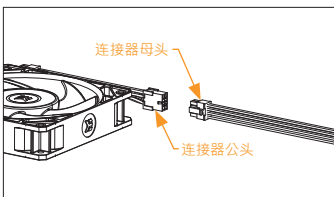
步骤 A：
将泵的 4 针 PWM 连接器插入主板。



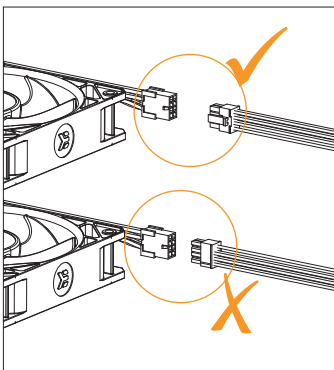
第 9 步：风扇连接电缆 (AMD)



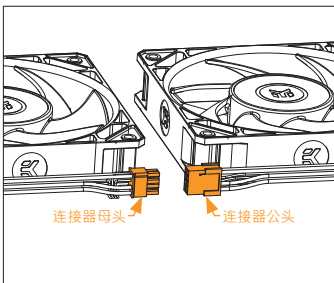
步骤 A：
将 4 针风扇连接器从延长电缆直接连接到主板上的 CPU 风扇接头。如果可能，请始终使用 CPU 风扇接头。



步骤 B:
将延长电缆的母端连接器连接到串联的第一个风扇的公端连接器。

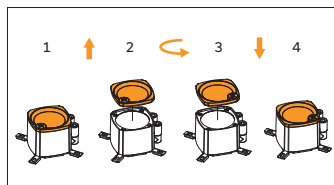


小心正确转动微贴合连接器 (micro-fit connector)。



步骤 C:
对于 EK-Nucleus AIO CR240 或 EK-Nucleus AIO CR360 版本, 以“菊花链”方式将第 2 个和第 3 个风扇串联在一起。

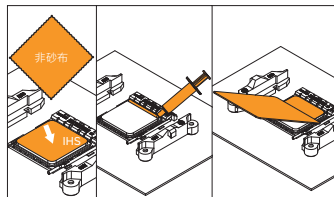
小心正确转动微贴合连接器 (micro-fit connector)。



第 10 步: 泵顶方向 (AMD)

抬起并旋转顶部, 直到 EK 标志的朝向正确, 然后放回原处。磁铁会将顶部固定住。

恭喜! 您已成功安装 EK-Nucleus AIO。



可选步骤! 涂抹导热硅脂

只有当第二次安装 AIO 或损坏了泵单元背面的预涂膏时, 才需要执行该步骤。初次安装时, 无需在 CPU 接触表面上使用其他导热硅脂。

擦拭 CPU 接触面 (如示例图片所示, 使用非研磨布或棉签)。在干净的 IHS 上, 涂上一条导热硅脂, 然后用信用卡或类似卡片之类的物品将其涂抹在整个 CPU 散热器 (IHS) 上。

7. 常规安全警告

各种急救措施:

皮肤接触制冷剂: 脱下被污染的衣物并用大量清水或生理盐水彻底冲洗。如果发现症状并且持续, 请寻求专业医疗人员帮助。

眼睛接触制冷剂: 立即扒开上下眼睑, 用清水或生理盐水冲洗。如果发生刺激敏感, 请寻求专业医疗人员帮助。

吸入制冷剂: 自行走出场所, 呼吸新鲜空气。如果发现症状并且持续, 请寻求专业医疗人员帮助。

误服制冷剂: 喝下大量热水, 且不要催吐。如果对情况仍存疑问, 或是感觉不适, 请寻求专业医疗人员帮助。

皮肤接触散热膏: 用肥皂和清水冲洗至少 15 分钟。应立即脱去被污染的衣物。如果发生刺激敏感, 请就医。

眼睛接触散热膏: 用清水彻底冲洗至少 15 分钟。如果发生刺激敏感, 请寻求专业医疗人员帮助。

吸入散热膏: 如果出现负面影响, 请前往未被污染的区域。如果呼吸已停止, 请立即进行人工呼吸。请立即就医。

误服散热膏: 喝下 2 大杯水, 切勿催吐。如果大量误食, 或存在不适, 请前往专业机构就医。

8. 支持和服务

如需帮助，请联系：<http://support.ekwb.com/>

EKWB d.o.o.
Pod lipami 18
1218 Komenda
斯洛文尼亚 – EU

9. 社交媒体

