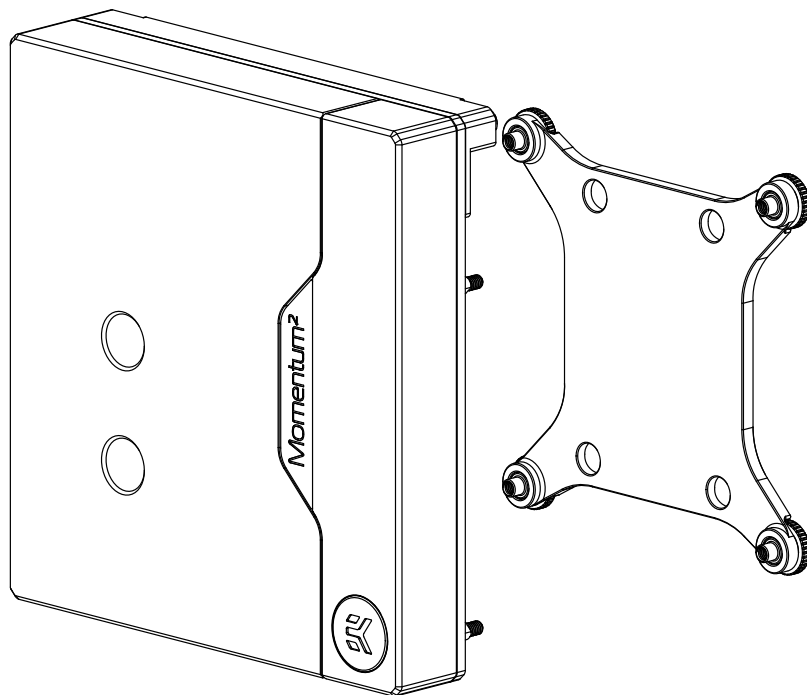


EK-Quantum Momentum² ROG Maximus Z690 Hero D-RGB

MONOBLOCK



This product is intended for installation only by expert users. Please consult with a qualified technician for installation. Improper installation may result in damage to your equipment. EK Water Blocks assumes no liability whatsoever, expressed or implied, for the use of these products, nor their installation. The following instructions are subject to change without notice. Please visit our website at www.ekwb.com for updates. Before installation of this product please read the important notice, disclosure, and warranty conditions printed on the back of the box.

Before you start using this product, please follow these basic guidelines:

Please carefully read the manual thoroughly before beginning the installation process!

The EK- Fittings require only a small amount of force to screw them firmly in place since the liquid seal is ensured by the rubber O-ring gaskets.

The use of corrosion inhibiting coolants is always recommended for liquid cooling systems, and mandatory for nickel plated water blocks.

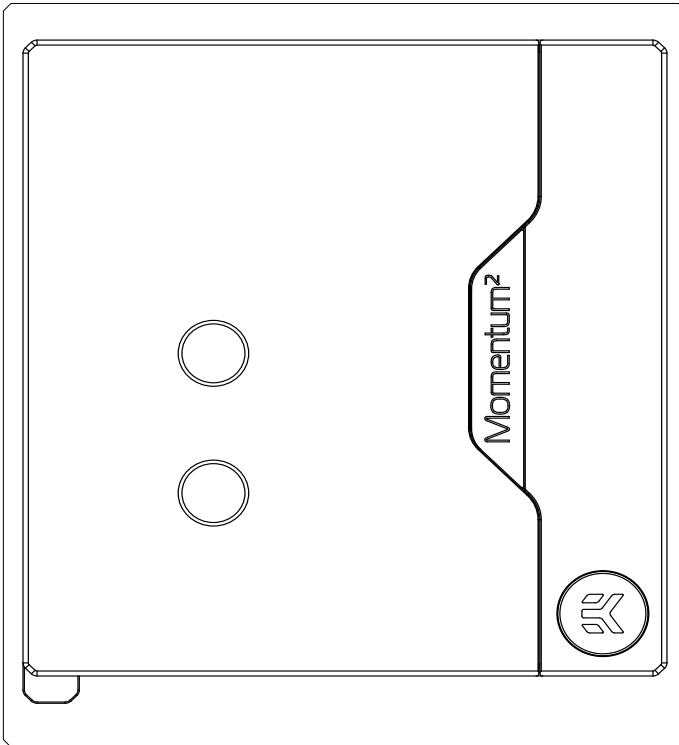
Do not use pure distilled water! For best results EK recommends the use of EK-Cryo Fuel coolants.

Make sure to thoroughly bleed air out of your water block, or you will not reach optimal performance.

TABLE OF CONTENTS

GENERAL INFORMATION ON WATER BLOCK COMPATIBILITY	4
BOX CONTENTS	5
WATER BLOCK DIMENSIONS	6
TECHNICAL SPECIFICATIONS AND WATER BLOCK PARTS	7
PREPARING THE MOTHERBOARD	8
I/O LIGHT COVER ASSEMBLY	10
PREPARING THE WATER BLOCK FOR INSTALLATION	11
CUTTING AND PLACING THERMAL PADS	12
APPLYING THERMAL COMPOUND	13
ATTACHING THE WATER BLOCK	13
FITTINGS AND TUBING	16
CONNECTING THE D-RGB LED STRIP	17
TESTING THE LOOP	17
WARRANTY	18
SUPPORT AND SERVICE	19
SOCIAL MEDIA	19

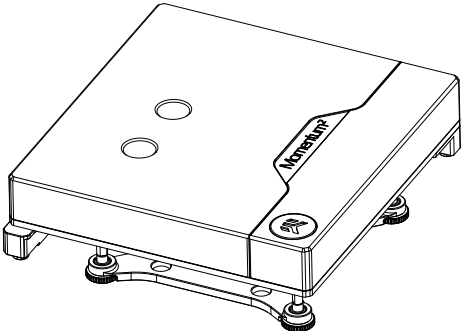
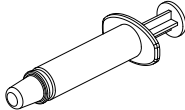
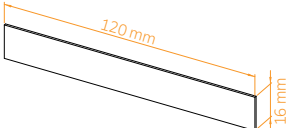
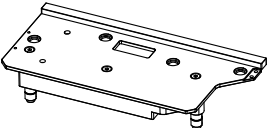
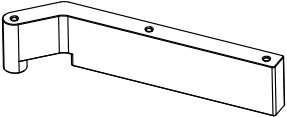
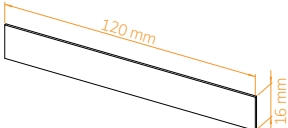

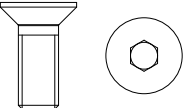
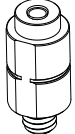

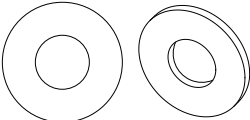
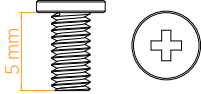
GENERAL INFORMATION ON WATER BLOCK COMPATIBILITY



This CPU liquid cooling unit is pre-assembled for use with modern Intel desktop socket type motherboards. By default (out of the box) this water block supports the following CPU sockets:

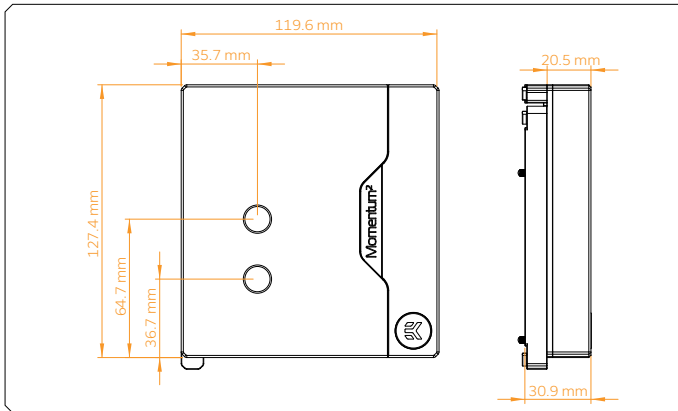
- **Intel LGA-1700**

BOX CONTENTS

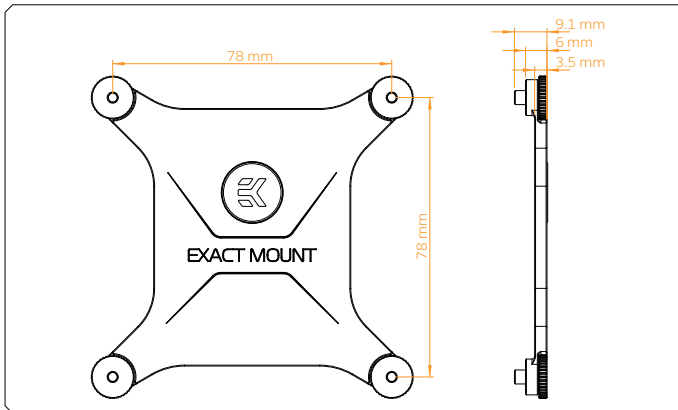
 <p>EK-Quantum Momentum2 Maximus XIV Hero D-RGB - Plexi (3831109892381)</p>	 <p>PASTE Thermal Grizzly Hydronaut (1g)</p>	 <p>Thermal PAD F 0.5 mm (120 x 16 mm) (2 pcs)</p>	
 <p>I/O Cover (1pc) (104781)</p>	 <p>I/O Cover Stand (1pc) (104682)</p>	 <p>Thermal PAD F 1.0 mm (120 x 16 mm) (4 pcs)</p>	 <p>Allen key 2 (1 pc) (8901)</p>
 <p>Screw M3 x 8 DIN7991 (3pcs)</p>	 <p>Standoff M4-M2.5 x 12 (2pcs)</p>	 <p>Allen key 2.5 (1 pc) (8902)</p>	 <p>Polyamide Washer M2.5 0.5 mm (8 pcs)</p>
<p>EAN: 105292</p>		<p>EAN: 105306</p>	 <p>M2.5 x 5 AX1 Screw (8 pcs)</p>

WATER BLOCK DIMENSIONS

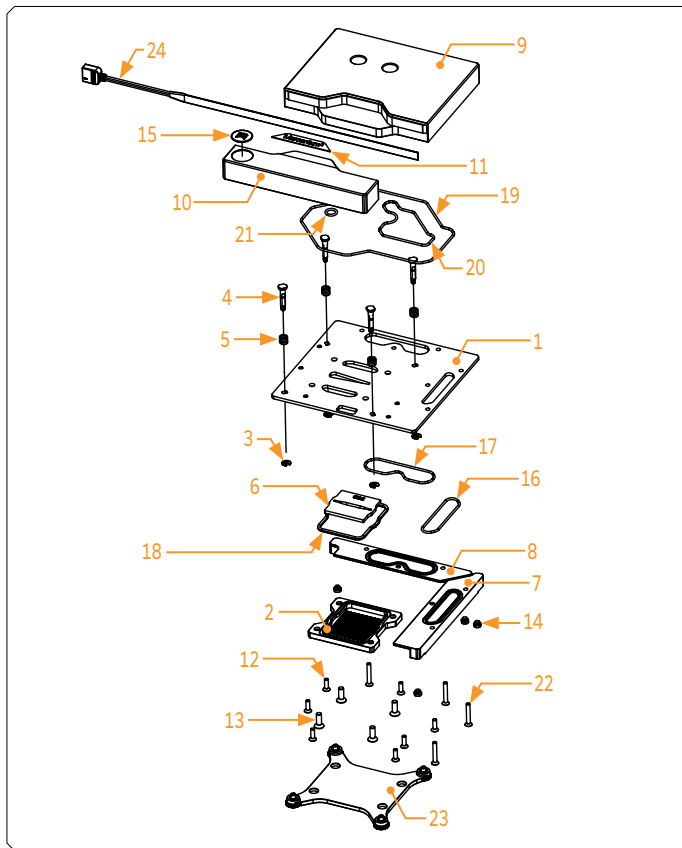
CPU WB:



Backplate:

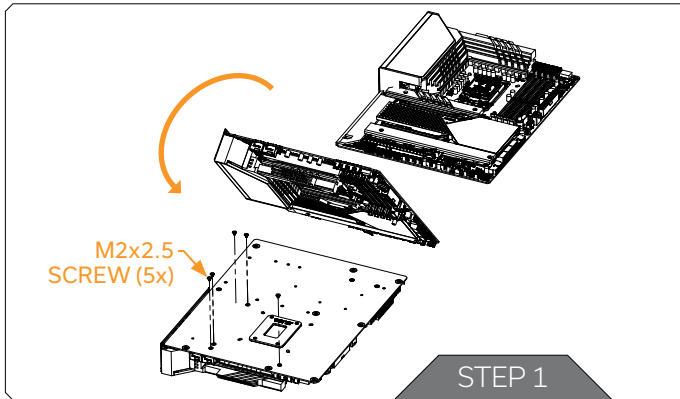


TECHNICAL SPECIFICATIONS AND WATER BLOCK PARTS



Position	EAN	Description	Quantity
1	104679	Monoblock	1
2	104028	Coldplate (Nickel)	1
3	104532	Lock Washer DIN6799	4
4	104913	Mounting Screw	4
5	100747	Spring M3x10 mm, 8 kg	4
6	104029	Jet Plate	1
7	104674	Coldplate Mosfet N (Nickel)	1
8	104676	Coldplate Mosfet W (Nickel)	1
9	104677	TOP Plexi	1
10	104678	TOP Acetal Stickout	1
11	104444	Mylar sticker	1
12	8252	Screw M3x10 DIN7991 Inox	7
13	100500	Screw M4x12	4
14	8521	Standoff M4/M2.5 x 2.1	4
15	100663	EK Badge	2
16	104777	OR - MOSFET N	1
17	104778	OR - MOSFET W	1
18	104773	OR - Coldplate	1
19	104683	OR - Monoblock	1
20	104776	OR - Island	1
21	104774	OR - Small	1
22	104771	Screw M3x20 DIN7991 Inox	4
23	104650	Exact Mount	1
24	101946	LED Strip	1

PREPARING THE MOTHERBOARD



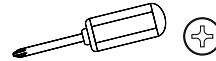
Important! Before starting, make sure to have a clean, flat surface to work on. It is recommended that you put a foam or a soft material to lay the motherboard and the water block on.

STEP 1

Turn over the motherboard and unscrew five (5) screws M2x2.5.

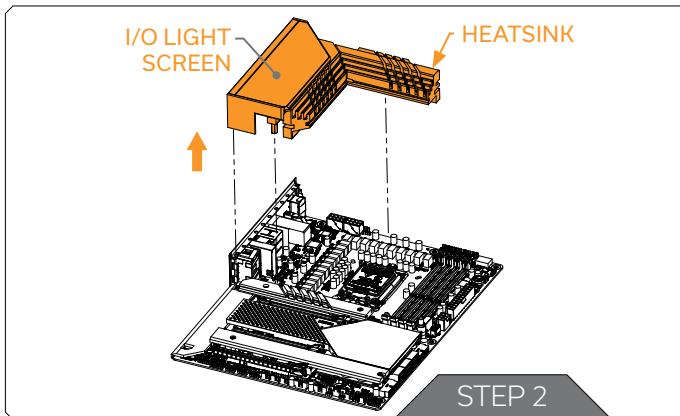
For this step, you will need:

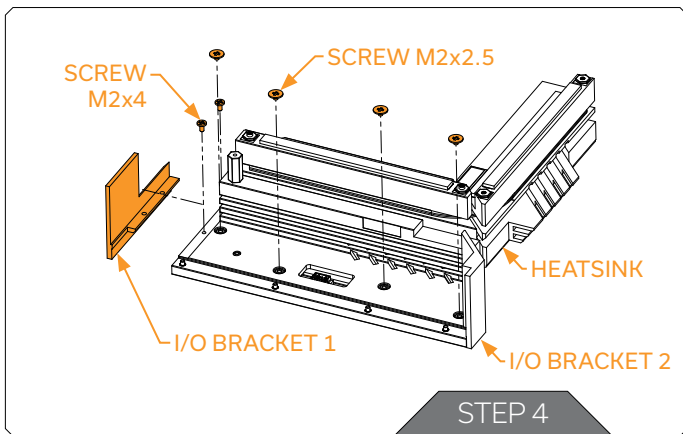
Phillips Head Screwdriver



STEP 2

Disconnect the I/O Light screen cable from the motherboard. Pull the Heatsink straight up. Put the Heatsink on the clean flat surface. Be careful not to damage the I/O Light screen!





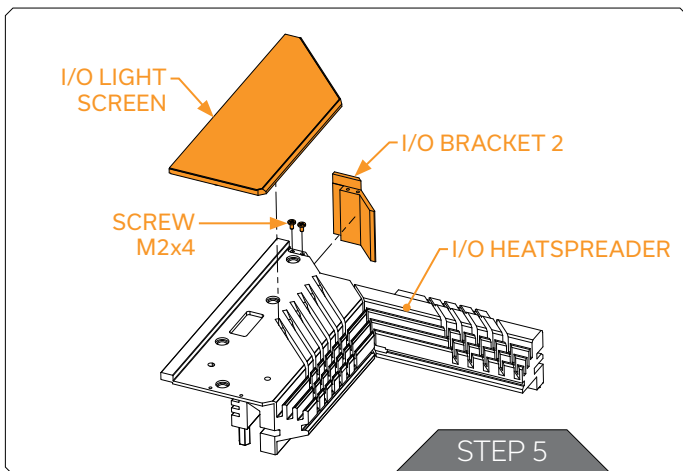
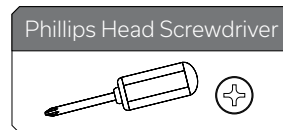
STEP 3

Remove all the remaining stock thermal pads from the motherboard.

STEP 4

Turn the Heatsink upside down. Unscrew four (4) M2x2.5 screws from I/O Light screen. To detach the I/O Bracket 1 unscrew two (2) M2x4 screws. Store all the screws and I/O Bracket 1 for later use.

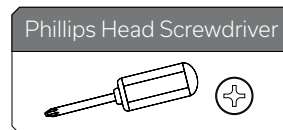
For this step, you will need:



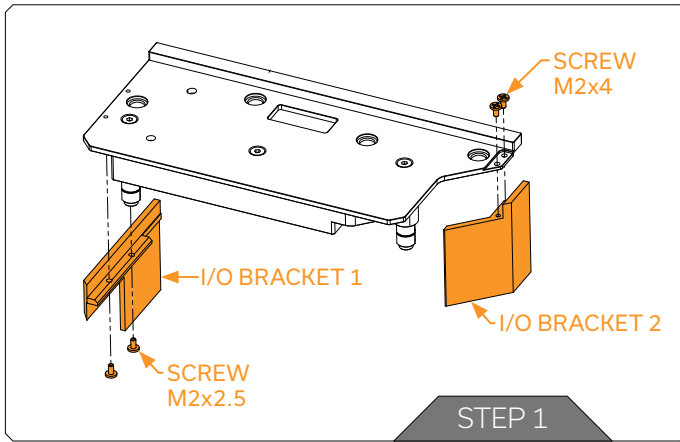
STEP 5

Turn the Heatsink upside down again and pull the I/O Light screen straight up. Unscrew two (2) M2x4 Screws and detach the I/O Bracket 2. Store all the screws, I/O Light screen and I/O Bracket 2 for later use.

For this step, you will need:



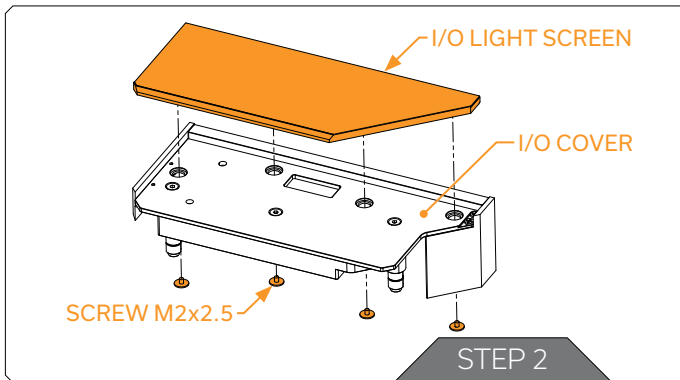
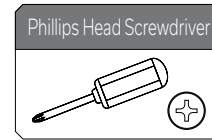
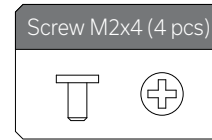
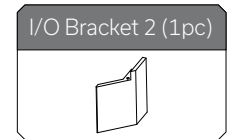
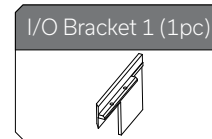
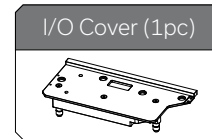
I/O LIGHT COVER ASSEMBLY



STEP 1

Tighten the I/O Bracket 1 and the I/O Bracket 2 on the I/O Cover using four (4) M2x4 screws.

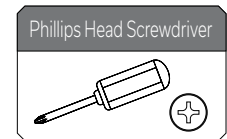
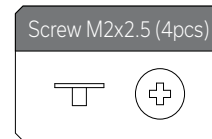
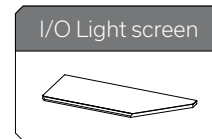
For this step, you will need:



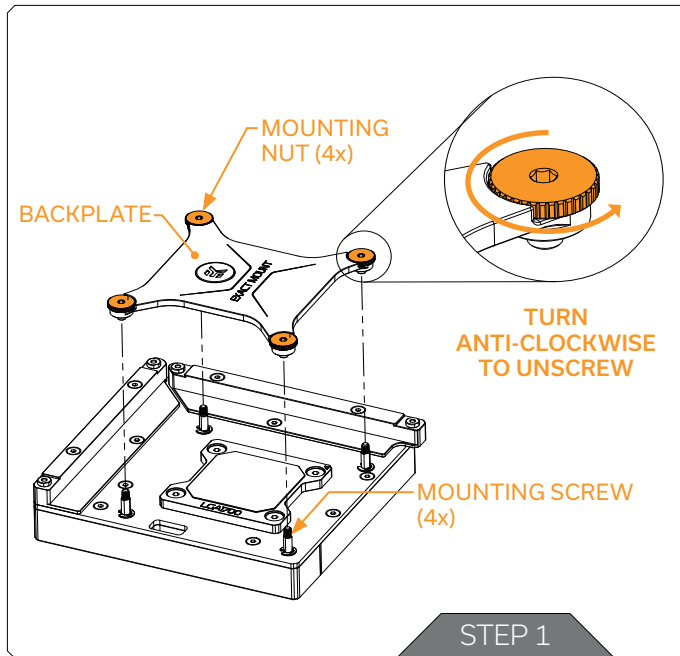
STEP 2

Put the I/O Light screen onto the I/O Cover and tighten it with four (4) M2x2.5 screws.

For this step, you will need:



PREPARING THE WATER BLOCK FOR INSTALLATION

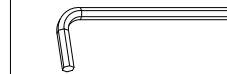


STEP 1

Unscrew four (4) mounting nuts (turn them in an anti-clockwise direction to unscrew). Remove the Backplate.

For this step you will need:

Allen Key 2.5mm

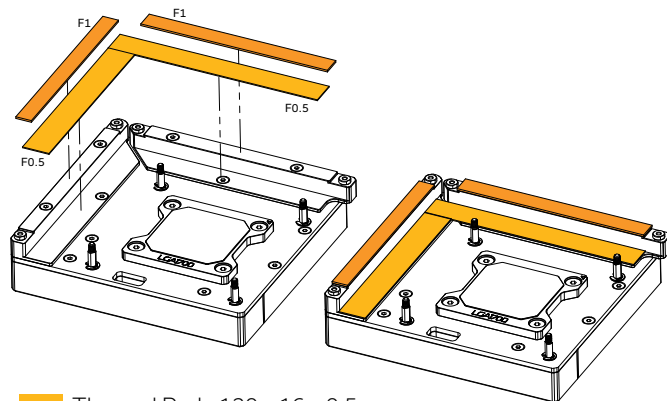


CUTTING AND PLACING THERMAL PADS

Thermal Pad F - 0.5 mm (120 x 16 mm)



Thermal Pad F - 1.0 mm (120 x 16 mm)



F0.5 Thermal Pad - 120 x 16 x 0.5 mm

F1 Thermal Pad - 120 x 16 x 1.0 mm

STEP 1

STEP 1

EK-Momentum2 ROG Maximus XIV Hero D-RGB water block comes with thermal pads that have to be cut into smaller pieces to cover all the regulation area (MOSFET) on the water block. EK made sure to provide you with more than an adequate quantity of thermal pads to complete this Step.



Please remove the protective foil from both sides of the thermal pads prior to installation!

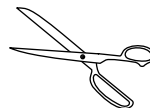
Replacement thermal pads:

Thermal PAD F 0.5 mm - (120 x 16 mm) - 3830046996725

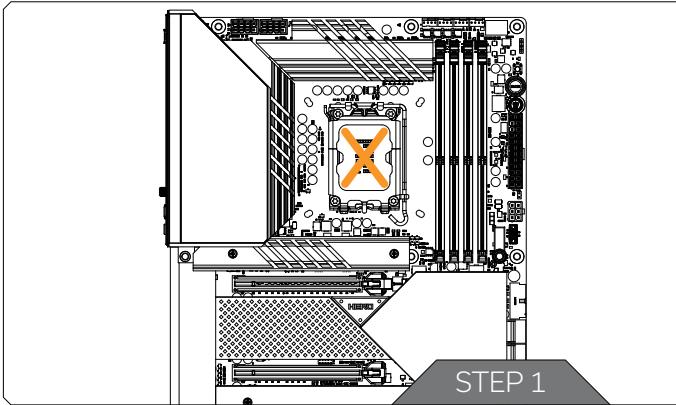
Thermal PAD F 1.0 mm - (120 x 16 mm) - 3830046996732

For this step, you will need:

Scissors



APPLYING THERMAL COMPOUND



STEP 1

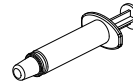
Apply the enclosed EK-TIM Ectotherm thermal grease (thermal compound) on the CPU heat spreader - IHS - as shown in the image. The layer of the thermal compound must be thin and even in thickness over the entire surface of the IHS.



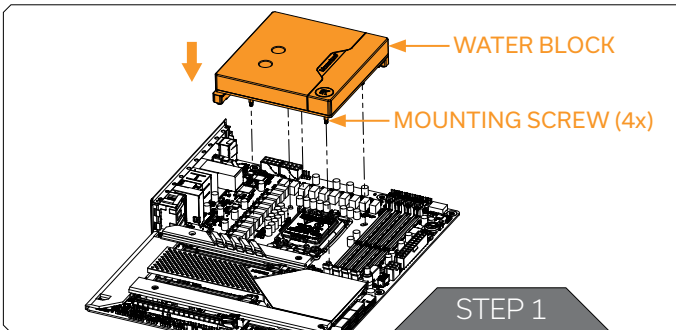
The excessive or uneven application of thermal grease may lead to poor performance!

For this step, you will need:

Thermal Grease

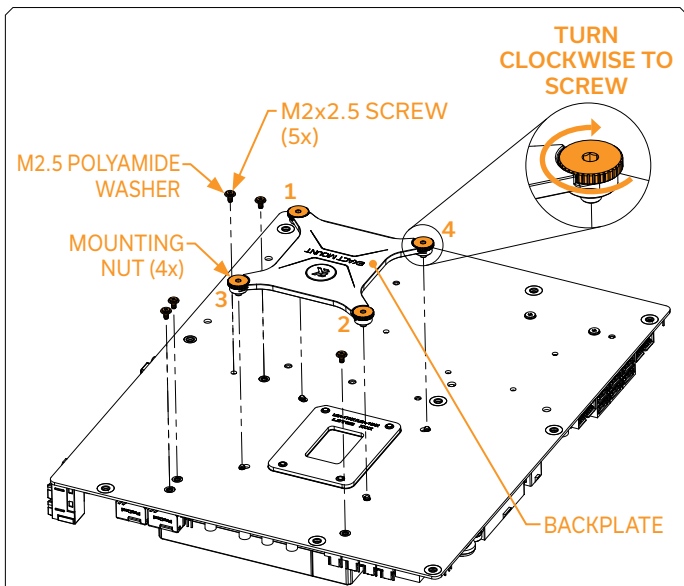


ATTACHING THE WATER BLOCK



STEP 1

Carefully place the CPU water block onto the motherboard and align four (4) mounting screws with four (4) holes on the motherboard. Hold the water block and motherboard and turn them upside down.



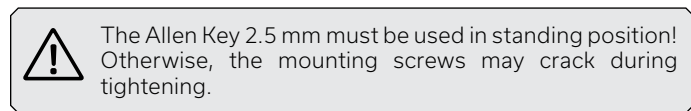
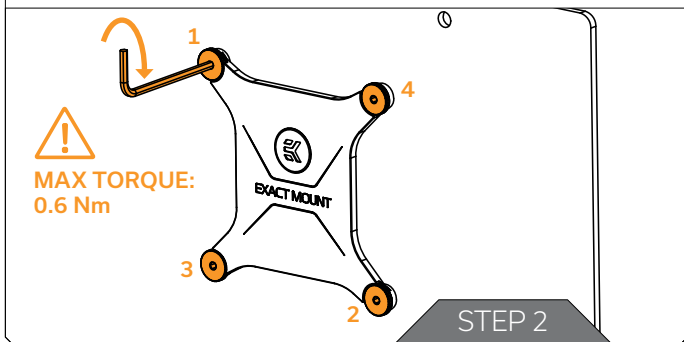
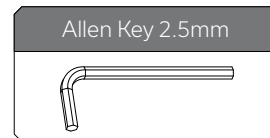
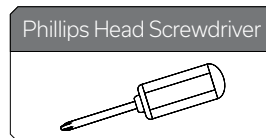
STEP 2

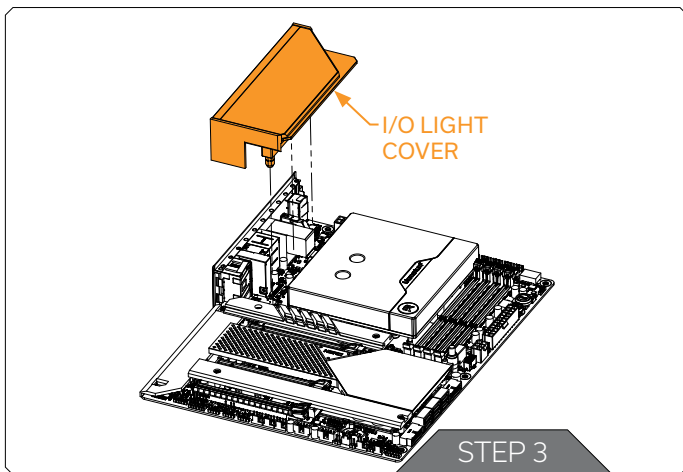
After placing the water block, the Backplate must be attached on the backside of the motherboard using Allen Key 2.5 mm (shown in the image).

While holding the water block and the motherboard with one hand, align the Backplate with Mounting Screws of the water block. Turn the mounting nuts using Allen Key 2.5 mm in the clockwise direction according to the numerical order shown in the image. Do not tighten fully until all of the nuts are partially screwed in. After the Backplate is tightened, put five (5) M2x2.5 screws and washers in holes of the water block and tighten them.

EK recommends using the EK-Loop Torque Screwdriver - 0.6Nm:
<https://www.ekwb.com/shop/ek-loop-torque-screwdriver-0-6nm>

For this step you will need:

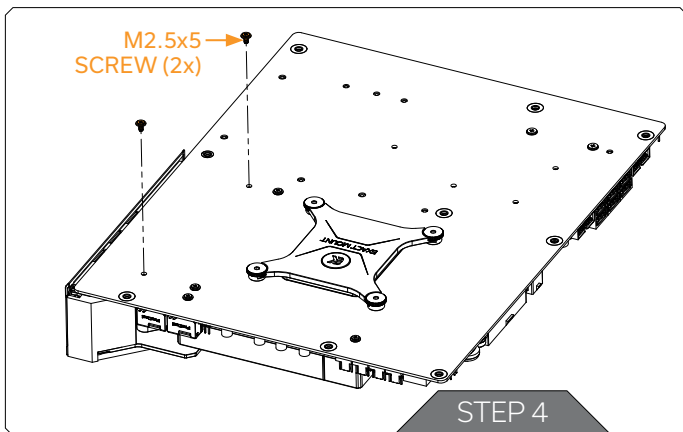
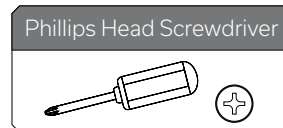




STEP 3

Carefully place the I/O Light Cover onto the motherboard. Align the I/O Light Cover standoff holes with the holes on the motherboard.

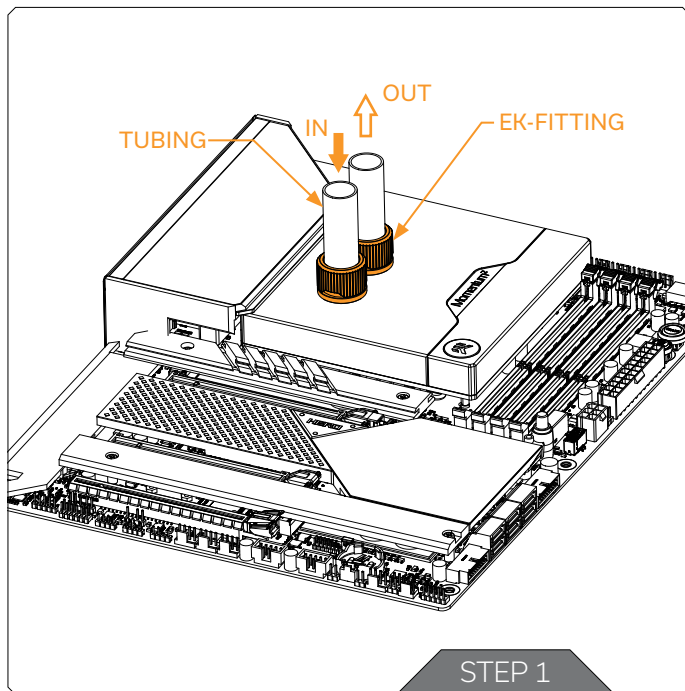
For this step, you will need:



STEP 4

Tighten two (2) M2.5 x 5 AX1 screws and washers to secure the I/O Light cover onto the motherboard.

FITTINGS AND TUBING



STEP 1

Screw-in two (2) G1/4 threaded male fittings. Attach the liquid cooling tubes and connect the water block to the cooling loop. Tighten the fittings in clockwise direction until the gasket underneath is compressed. The installation of the Momentum2 water block is complete.

EK recommends using EK fittings with all EK water blocks.



Do not forget to plug the remaining two openings with enclosed EK-Plug G1/4 or its equivalent.

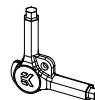


CAUTION: When using connectors other than EK fittings, pay special attention to the length of the fittings' male G1/4" thread - 5mm is the maximum G1/4" thread length allowed!

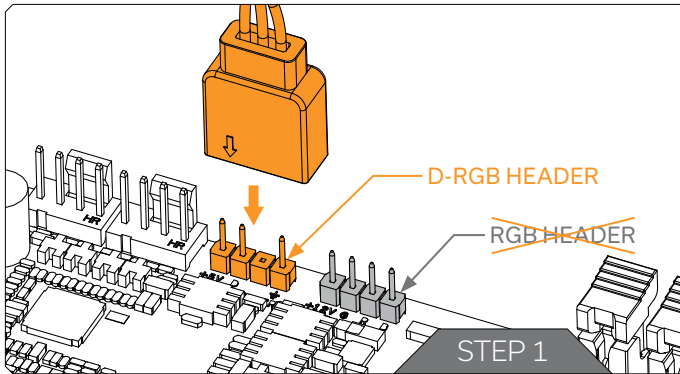
The installation of the Momentum2 water block is complete.

For this step, you will need:

EK-Loop Multi Allen Key



CONNECTING THE D-RGB LED STRIP



STEP 1

Plug the **3-pin connector** of the distribution plate D-RGB LED light to the **D-RGB HEADER** on the motherboard. The LED will work if the pin layout on the header is as follows: **+5V, Digital, Empty, Ground**.



Please ensure that the arrow indicated on the connector is plugged into the +5V line as indicated on your motherboard. If you put the LED Diode to the 12V RGB HEADER you can damage the LEDs. Failure to do so will damage your motherboard or LED strip.

TESTING THE LOOP

To make sure the installation of EK components was successful, we recommend you perform a leak test for 24 hours. When your loop is complete and filled with coolant, connect the pump to a PSU outside of your system. Do not connect power to any of the other components. Turn on the PSU and let the pump run continuously. It is normal for the coolant level to drop during this process as air collects in the distribution plate. Inspect all parts of the loop, and in the eventuality that coolant leaks, fix the issue and repeat the testing process. Ensure that all hardware is dry before the system is powered on in order to prevent any damage.

WARRANTY

Our products are warranted against defects of materials and quality for a period of 24 months, starting with the date of delivery to the end-user. During this period, products will be repaired or have parts replaced at our discretion, provided that 1) the product is returned to the agent from whom it was purchased; 2) the product has been purchased by the end-user and has not been used for commercial purposes; 3) the product has not been misused, handled carelessly, or used in a manner other than the way described in the instructions manual. This warranty does not confer rights other than those expressly set out above and does not cover any claims for consequential loss or damage. This warranty is offered as an extra benefit and does not affect your statutory rights as a consumer. This warranty is voided if the product comes in contact with aggressive UV additives or other improper liquids. EK water blocks are sealed with a warranty-voiding circular label, proving the water block has withstood a pressure leak test. Removing the label will void the leak-free guarantee, but not the guarantee on the product itself. Any other RMA issues can be reported to EK Customer Support at www.ekwb.com/support for further analysis.

SUPPORT AND SERVICE

In case you need assistance or wish to order spare parts or a new mounting mechanism, please contact:

<https://www.ekwb.com/customer-support/>

For spare parts orders, refer to the page with "TECHNICAL SPECIFICATIONS AND WATER BLOCK PARTS" where you can find the EAN number of each part you might need.


Include the EAN number with quantity in your request. Mounting Mechanism EAN can be found under "BOX CONTENTS"

Thermal pads are readily available in the EK shop

SOCIAL MEDIA

 EKWaterBlocks

 @EKWaterBlocks

 ekwaterblocks

 EKWBofficial

 ekwaterblocks

