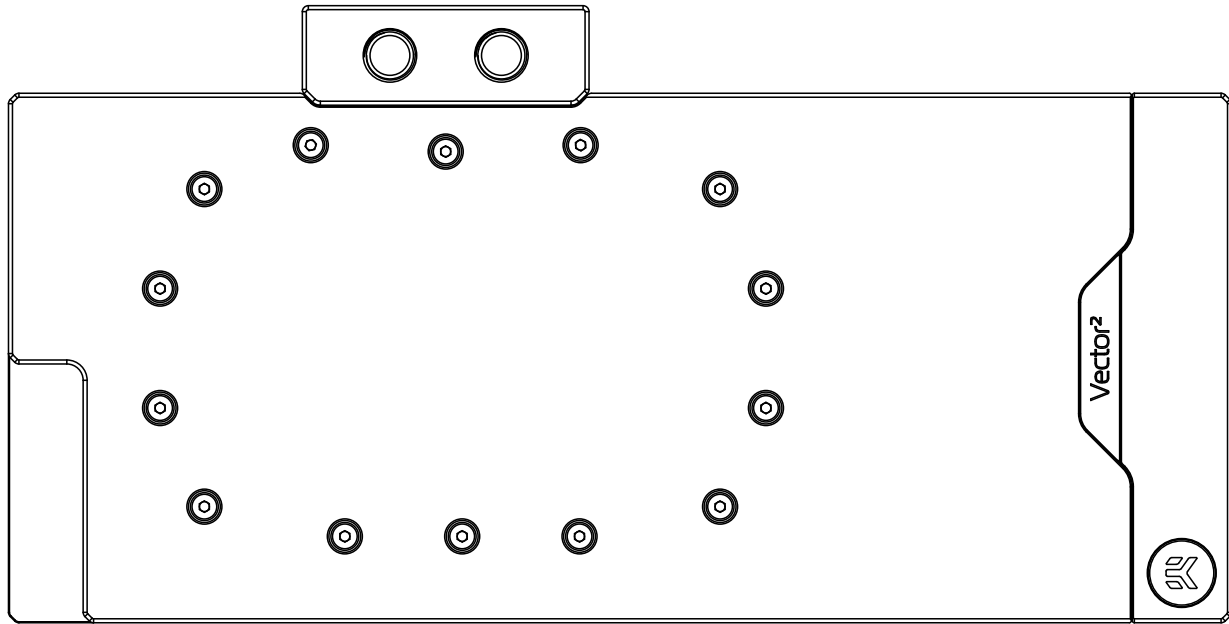


EK-Quantum Vector² Strix RTX 3080/90 D-RGB

GPU WATER BLOCK



This product is intended for installation by expert users only. Please consult with a qualified technician. Improper installation may result in damage to your equipment. EK assumes no liability whatsoever, expressed or implied, for the use of this product or its installation. The following instructions are subject to change without notice. Please, read the manual carefully before starting the installation process. For updates, you can visit our official website www.ekwb.com.

Before you start using this product, please follow these basic guidelines:

Carefully read the manual before beginning the installation process.

Remove your graphics card from the computer for the safest mounting process to prevent any possible damage to your GPU or its circuit board (PCB).

The EK Fittings require only a small amount of force to screw them firmly in place since the liquid seal is ensured by the rubber O-ring gaskets.

The use of corrosion inhibiting coolants is always recommended for liquid cooling systems and mandatory for nickel-plated water blocks!

Do not use pure distilled water! For best results, EK recommends the use of EK-CryoFuel coolants!

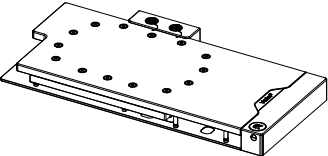

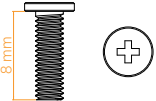
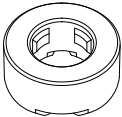
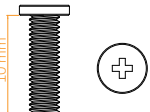
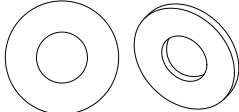
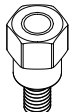
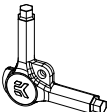
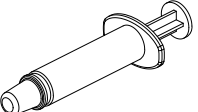
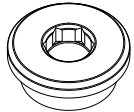
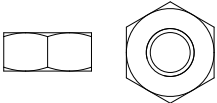



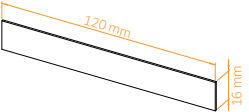
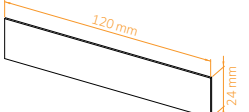
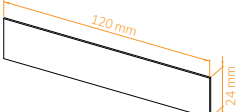
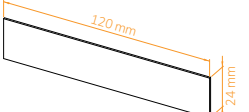
To reach optimal performance, make sure to thoroughly bleed the air out of your water block!

TABLE OF CONTENTS

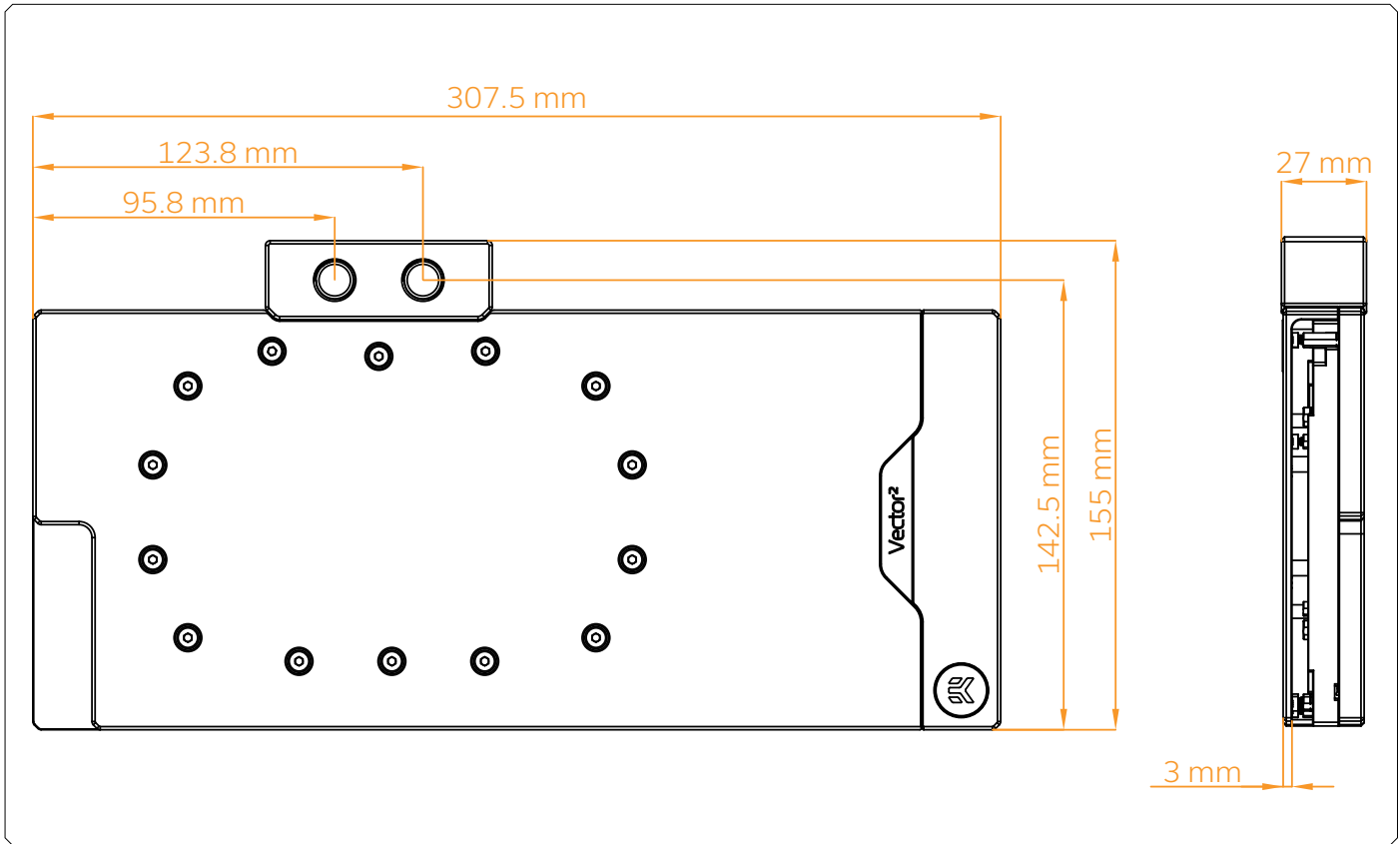
BOX CONTENTS	4
WATER BLOCK DIMENSIONS	5
TECHNICAL SPECIFICATIONS AND WATER BLOCK PARTS	6
NICKEL PLEXI	6
NICKEL ACETAL	7
PREPARING THE GRAPHICS CARD	8
REMOVING THE STOCK COOLER	8
REMOVING THE STOCK BACKPLATE	9
PREPARING THE WATER BLOCK FOR INSTALLATION	10
CLEANING THE PCB	10
CUTTING AND PLACING THERMAL PADS	11
APPLYING THERMAL COMPOUND	12
ATTACHING THE WATER BLOCK	12
PREPARING THE BACKPLATE	14
ATTACHING THE BACKPLATE	16
INSERTING THE GRAPHICS CARD INTO THE CHASSIS	16
FITTINGS AND TUBING	17
CONNECTING THE D-RGB LED STRIP	18
TESTING THE LOOP	18
WARRANTY	19
SUPPORT AND SERVICE	20
SOCIAL MEDIA	20

BOX CONTENTS

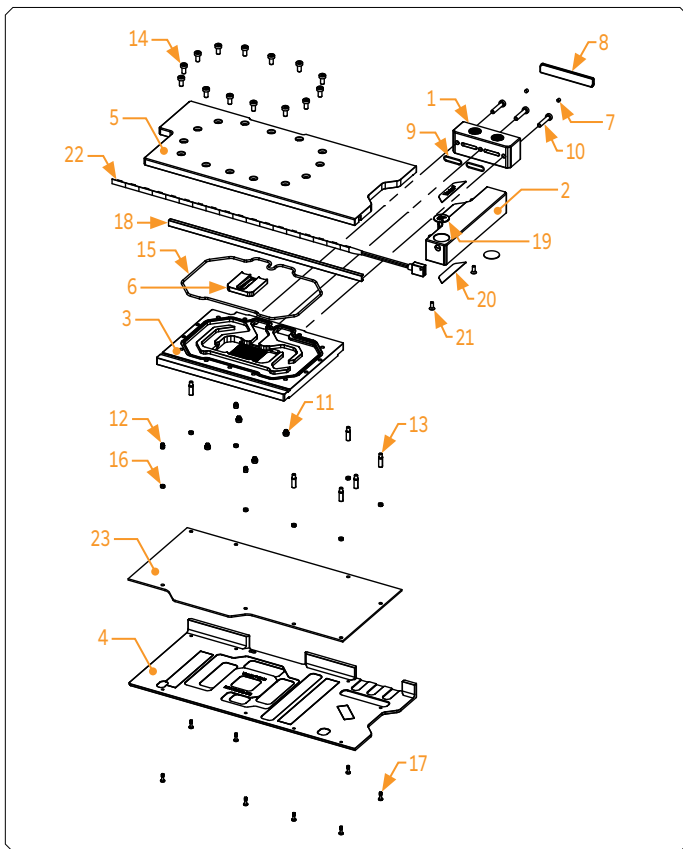
EAN: 104907

 <p>EK-Quantum Vector² Strix RTX 3080/90 D-RGB</p>	 <p>M2.5x4 AX1 Screw (8 pcs)</p>	 <p>M2.5x8 AX1 Screw (1 pc)</p>	 <p>Standoff Ø4.5/2.5 (1 pc)</p>
	 <p>M3x10 AX1 Screw (1 pc)</p>	 <p>Polyamid Washer M2.5 0.5mm (8 pcs)</p>	 <p>Standoff M2.5-M3 x 6.6mm (1 pc)</p>
 <p>EK-Loop Multi Allen Key (1 pc)</p>	 <p>Thermal Grease (1 pc)</p>	 <p>Quantum Plug (2 pcs)</p>	 <p>Nut M2.5 (2 pcs)</p>
 <p>Allen Key 2.5 mm (1 pc)</p>	 <p>Allen Key 2 mm (1 pc)</p>	 <p>EK-Plug Out Spludger Tool (1 pc)</p>	<p>EAN: 104549</p>
 <p>Thermal Pad F 1.0 mm (5 pcs)</p>	 <p>Thermal Pad G 1.5 mm (3 pcs)</p>	 <p>Thermal Pad G 1.0 mm (1 pc)</p>	 <p>Thermal Pad G 2.0 mm (4 pcs)</p>

WATER BLOCK DIMENSIONS



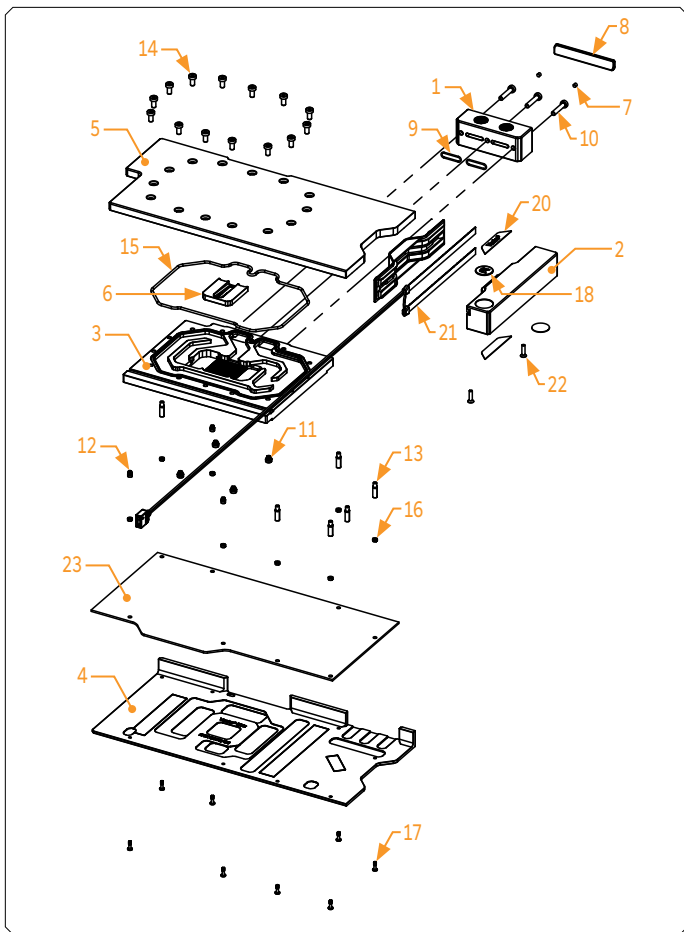
TECHNICAL SPECIFICATIONS AND WATER BLOCK PARTS



NICKEL PLEXI

- Dimensions: (LxHxW): 307.5 x 155 x 41mm
- D-RGB LED count: 15
- D-RGB cable length: 50cm
- D-RGB connector 3-pin 5V digital LED header

Position	EAN	Description	Quantity
1	103947	FC Terminal	1
2	103971	TOP Acetal Stand Out	1
3	104489	Coldplate (Nickel)	1
4	104499	Backplate (Bl. elox)	1
5	104492	TOP Plexi	1
6	103962	Plexi Insert	1
7	104216	Disc magnet	2
8	103942	Terminal Badge	1
9	104106	Terminal OR - 14x1 mm	2
10	8311	Screw M4x20 DIN7984	3
11	103988	StandoffM4-M2.5 x 3mm	4
12	103987	Standoff M3.5-M2.5 x 3	3
13	103986	Standoff M3.5-M2.5 x 11.3mm	6
14	9013	Screw M4x8 DIN7984	14
15	104508	Main O-ring 142x2 mm	1
16	104188	Standoff fi 4.5/2.5 - brizgan - Black	8
17	104187	Screw M2.5x8 AX1	8
18	104494	LED Cover	1
19	100663	EK - Badge	2
20	103964	Mylar sticker	2
21	8208	Screw M3x8 7991DIN	2
22	100815	LED D-RGB strip 500/300mm	1
23	104900	PCB Cardboard	1



NICKEL ACETAL

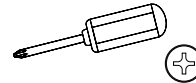
- Dimensions: (LxHxW): 307.5 x 155 x 27mm
- D-RGB LED count: 38
- D-RGB cable length: 50cm
- D-RGB connector 3-pin 5V digital LED header

Position	EAN	Description	Quantity
1	103947	FC Terminal	1
2	103974	Top Acetal - Stand Out	1
3	104489	Coldplate (Nickel)	1
4	104499	Backplate (Bl. Elox)	1
5	104493	TOP Acetal - Quantum Vector2 Strix RTX 3080-90	1
6	103962	TOP Plexi Insert	1
7	104216	Disc magnet 3x3	2
8	103942	Terminal Badge	1
9	104106	Terminal OR - Vector2 14x1 mm	2
10	8311	Screw M4x20 DIN7984	3
11	103988	Standof M4-M2.5 x 3mm	4
12	103987	Standoff M3.5-M2.5 x 3	3
13	103986	Standoff M3.5-M2.5 x 11.3mm	6
14	9013	Screw M4x8 DIN7984	14
15	104508	Main O-ring 142x2 mm	1
16	104188	Standoff 4.5/2.5	8
17	104187	Screw M2.5x8 AX1	8
18	100663	EK- Badge	2
19	103968	Top Acetal - Light guide	1
20	104211	Mylar sticker	2
21	104296	LED D-RGB Dense Strip Double	1
22	8202	Screw M3x12 DIN7991	2
23	104900	PCB Cardboard	1

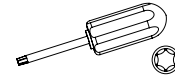
PREPARING THE GRAPHICS CARD

For this Step, you will need:

Phillips Head Screwdriver



Torx T6 Screwdriver



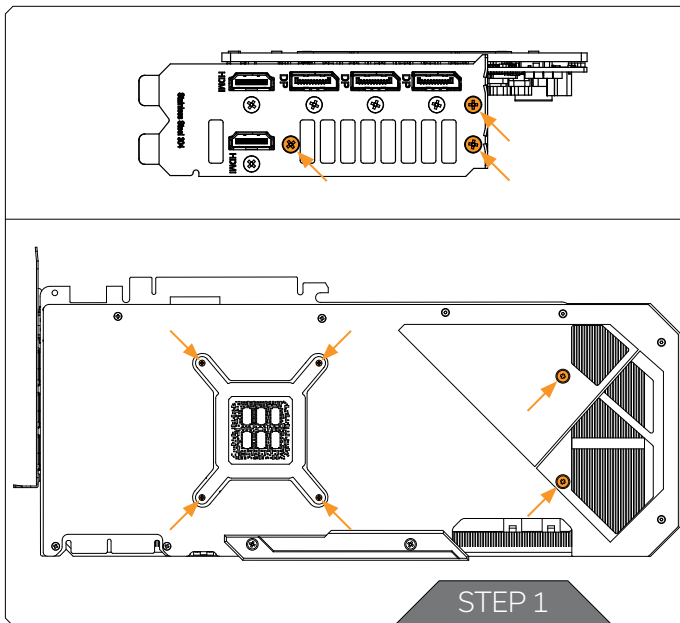
STEP 1 REMOVING THE STOCK COOLER

Use the Phillips head screwdriver to remove the three screws from the GPU bracket side and six screws from the side of the backplate.

After removing all nine screws (marked in the picture), carefully detach the PCB with the backplate from the stock cooler and disconnect two cables connected to the PCB.

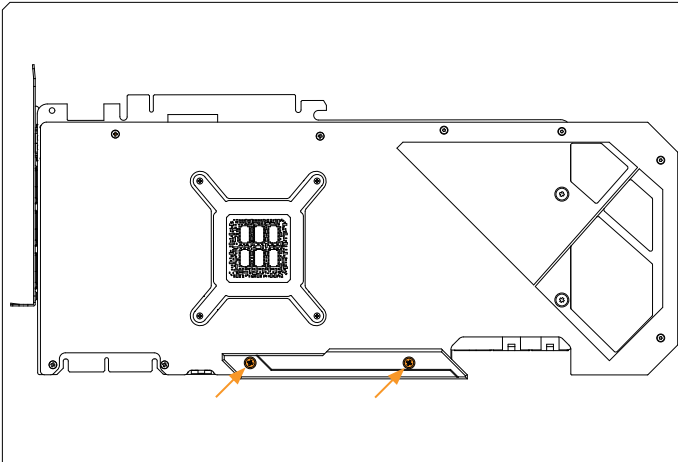


Always remove the stock cooler slowly - it might be firmly glued to the PCB with thermal pads.

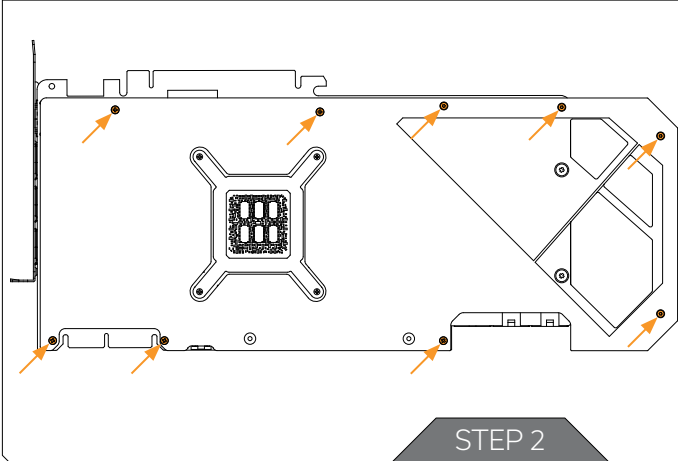


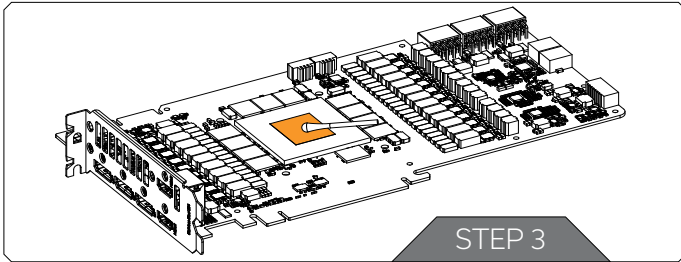
STEP 2 REMOVING THE STOCK BACKPLATE

Use the Phillips head screwdriver to remove the two screws attaching the GeForce® RTX™ plate to the backplate.



Remove the nine screws with Phillips and Torx head screwdrivers and carefully detach the stock backplate from the PCB.

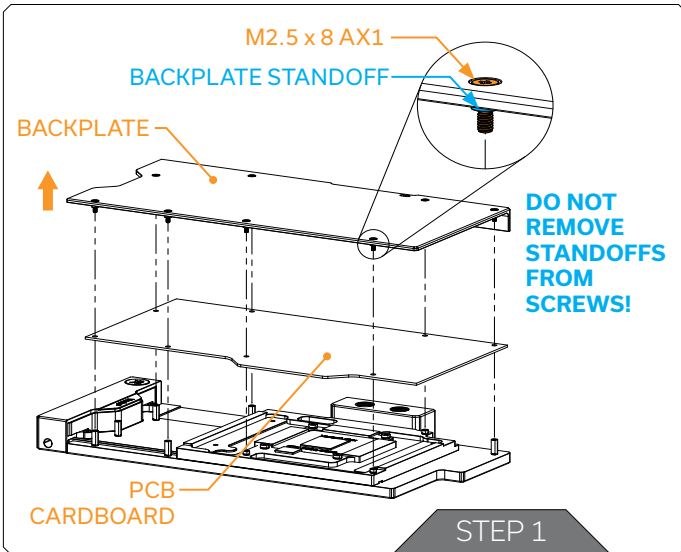




STEP 3 CLEANING THE PCB

Wipe off the remains of the original thermal compound using a nonabrasive cloth or Q-tip, as shown in the sample image, until the components and circuit board are completely clean. EK recommends the use of denatured alcohol for removing TIM leftovers. After that, remove all remaining stock thermal pads from the PCB.

PREPARING THE WATER BLOCK FOR INSTALLATION



STEP 1

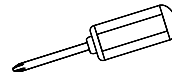
UnscREW eight (8) Screws AX1 M2.5x8 as shown in the image. Remove the backplate together with eight (8) Screws AX1 M2.5x8 and backplate standoffs. Standoffs must stay on Screws AX1 M2.5x8. Remove cardboard. Save the backplate set for later steps.



Do not remove standoffs from screws! In case the standoff detaches from the screw, replace it with a spare one. When replacing the standoff make sure that you screw it on the AX1 M2.5x8 screw. Do not push the standoff onto the screw AX1 M2.5x8!

For this step, you will need:

Phillips Head Screwdriver



CUTTING AND PLACING THERMAL PADS

Thermal Pad F – 1.0 mm (120 x 16 mm)



Thermal Pad G – 1.0 mm (120 x 24 mm)



Thermal Pad G – 1.5 mm (120 x 24 mm)



Thermal Pad G – 2.0 mm (120 x 24 mm)



STEP 1

STEP 1

Your EK-Quantum Vector2 Strix RTX 3080/90 D-RGB block comes with Thermal Pads that have to be cut into smaller pieces to cover all the VRM components. EK made sure to provide you with more than an adequate quantity of Thermal Pads to complete this Step.



CAUTION: You must remove the protective foil from both sides of the thermal pad before installation.

Replacement thermal pads:

Thermal Pad F 1.0mm - (120 x 16mm) EAN: 3830046996732

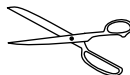
Thermal Pad G 1.0mm - (120 x 24mm) EAN: 3830046996770

Thermal Pad G 1.5mm - (120 x 24mm) EAN: 3830046996787

Thermal Pad G 2.0mm - (120 x 24mm) EAN: 3830046996794

For this step, you will need:

Scissors



STEP 2

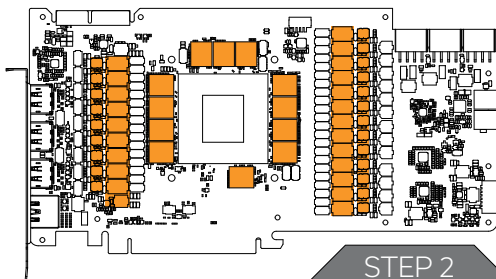
The cardboard is printed in scale 1:1. Cut Thermal Pads to the size printed on the cardboard. Once cut to the size, Thermal Pads should be placed on the block, as shown in the picture. Thermal Pads of thicknesses 1, 1.5, and 2 mm are included.



Before attaching the PCB to the Water Block, make sure all the Thermal Pads are placed correctly!

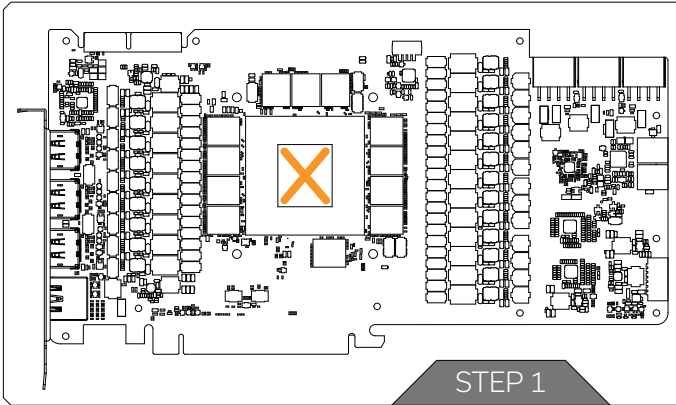
Strix RTX™ 3080/3080Ti/3090

Thermal Pad F 1.0mm



STEP 2

APPLYING THERMAL COMPOUND



STEP 1

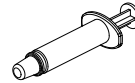
Apply the enclosed EK-TIM Ectotherm thermal grease (thermal compound) on the GPU heat spreader - IHS - as shown in the image. The layer of the thermal compound must be thin and even over the entire surface of the IHS.



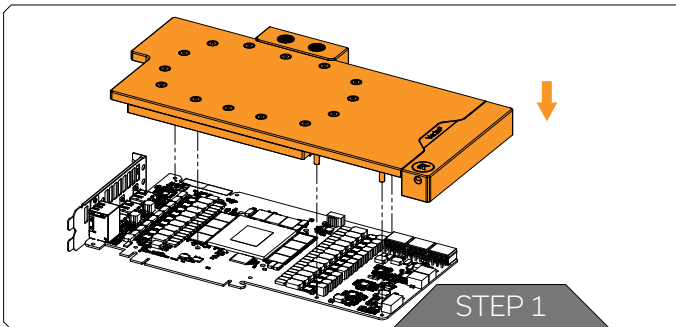
The excessive or uneven application of thermal grease may lead to poor performance!

For this step, you will need:

Thermal Grease



ATTACHING THE WATER BLOCK

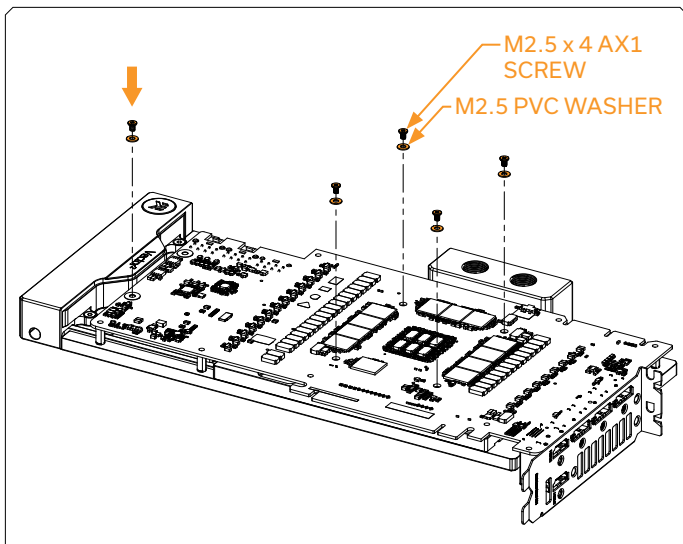


STEP 1

Carefully position the water block with preinstalled standoffs on the graphics card. During this process, make sure you have aligned mounting holes of the PCB with holes of the water block.



Before attaching the PCB to the Water Block, make sure all the Thermal Pads are placed correctly!



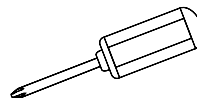
STEP 2

Use five (5) M2.5x4 AX1 Screws and PVC washers to tighten the PCB on the water block. Tighten the screws evenly using the Phillips-head screwdriver. EK recommends you start tightening the screws around the GPU core first, and then continuing outward to prevent damage to the GPU.

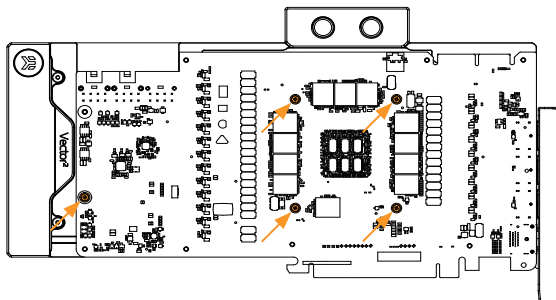
Always use a plastic washer under each screw!

For this step, you will need:

Phillips Head Screwdriver

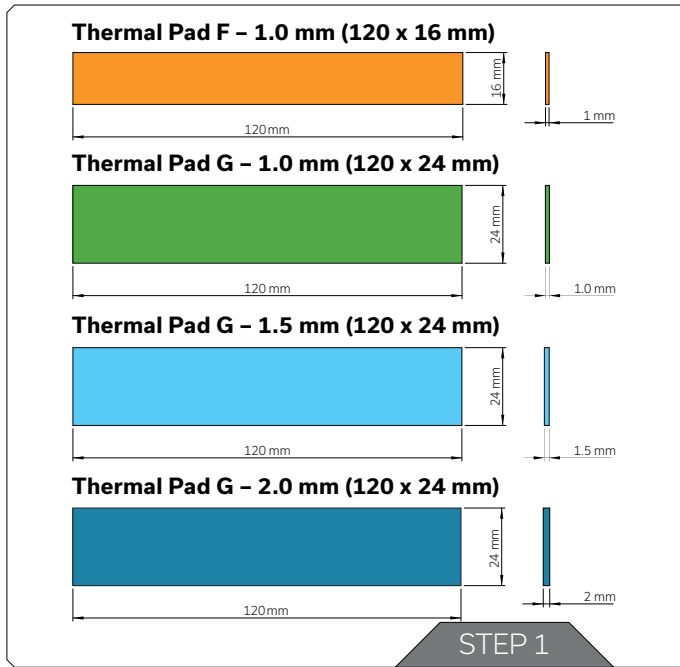


Screws must be present in the places marked on the picture.



STEP 2

PREPARING THE BACKPLATE



STEP 1

After attaching the water block, a few more thermal pads need to be cut into smaller pieces to cover all the necessary components.

EK made sure to provide you with more than an adequate quantity of thermal pads to complete this step.



CAUTION: You must remove the protective foil from both sides of the thermal pad before installation.

Replacement thermal pads:

Thermal Pad F 1.0mm - (120 x 16mm) EAN: 3830046996732

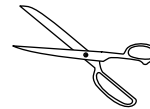
Thermal Pad G 1.0mm - (120 x 24mm) EAN: 3830046996770

Thermal Pad G 1.5mm - (120 x 24mm) EAN: 3830046996787

Thermal Pad G 2.0mm - (120 x 24mm) EAN: 3830046996794

For this step, you will need:

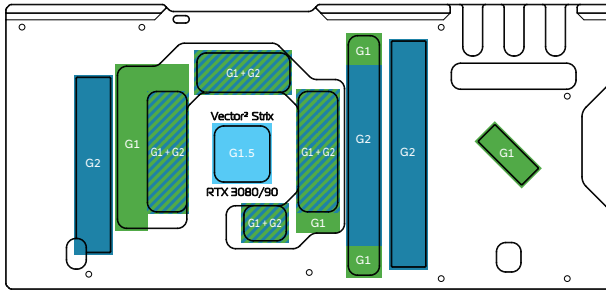
Scissors



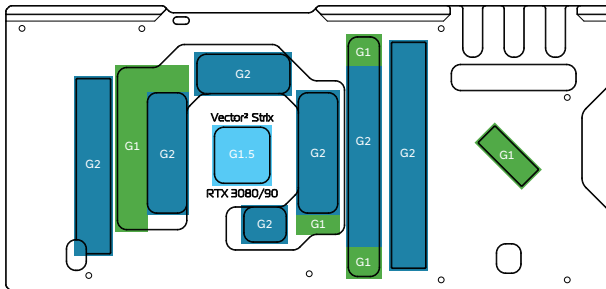
Apply the thermal pads onto the backplate as shown in the image.

- G1** Thermal Pad - 120 x 24 x 1.0 mm
- G1.5** Thermal Pad - 120 x 24 x 1.5 mm
- G2** Thermal Pad - 120 x 24 x 2.0 mm
- G1+G2** Thermal Pad - 120 x 24 x 1.0 mm + 120 x 24 x 2.0 mm

3080/ 3080Ti:

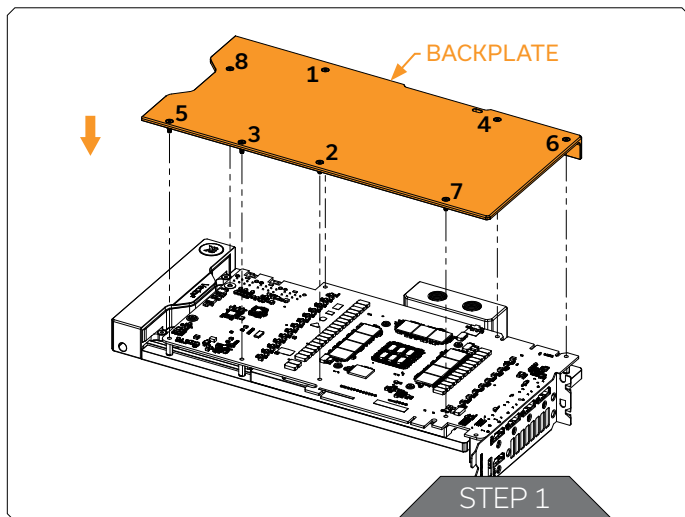


3090:



STEP 1

ATTACHING THE BACKPLATE



STEP 1

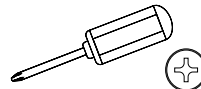
Place the backplate with eight (8) M2.5x8 AX1 Screws and Standoffs onto the PCB. Make sure all the holes are aligned.

Tighten the screws according to the numerical order shown in the image!

Do not use excessive force!

For this step, you will need:

Phillips Head Screwdriver



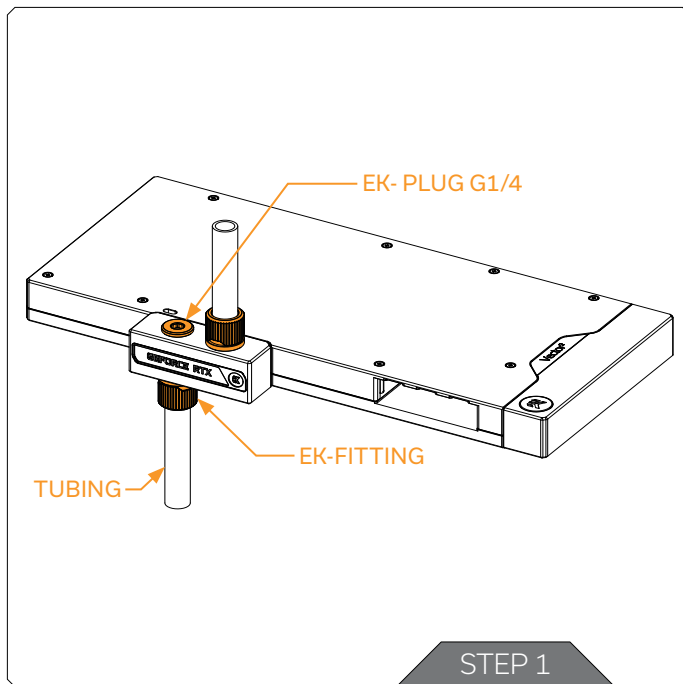
INSERTING THE GRAPHICS CARD INTO THE CHASSIS

Carefully lift your graphics card with the installed water block and insert it into your PC's motherboard PCI Express expansion slot. Please keep in mind that your graphics card is heavier than before it was equipped with the water block.



You need to be very careful when handling the graphics card. Avoid all unnecessary manipulation of the water block assembly that might damage your card or water block.

FITTINGS AND TUBING



STEP 1

Screw-in two (2) G1/4 threaded male fittings. Attach the liquid cooling tubes and connect the water block to the cooling loop



Do not forget to plug the remaining two openings using the enclosed EK-Plug G1/4 or its equivalent.

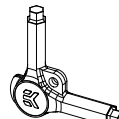
EK recommends using EK fittings with all EK water blocks.



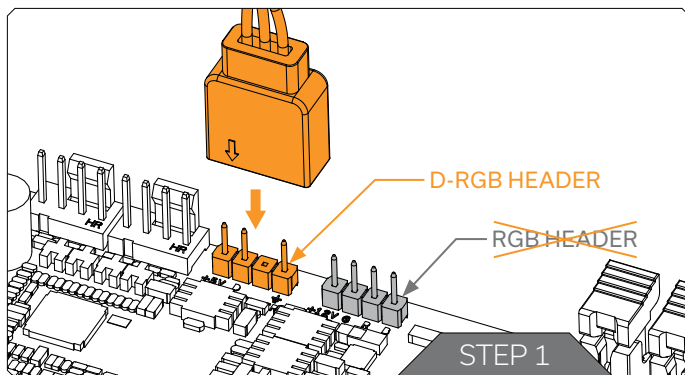
CAUTION: When using connectors other than EK fittings, pay special attention to the length of the fittings' male G1/4" thread - 5mm is the maximum G1/4" thread length allowed!

For this step, you will need:

EK-Loop Multi Allen Key



CONNECTING THE D-RGB LED STRIP



STEP 1

Plug the **3-pin connector** of the distribution plate D-RGB LED light to the **D-RGB HEADER** on the motherboard. The LED will work if the pin layout on the header is as follows: **+5V, Digital, Empty, Ground**.



Incorrect installation or installation to a wrong header can damage the LED strip or the header itself!

TESTING THE LOOP

To make sure the installation of EK components was successful, we recommend you perform a leak test for 24 hours. When your loop is complete and filled with coolant, connect the pump to a PSU outside of your system. Do not connect power to any of the other components. Turn on the PSU and let the pump run continuously. It is normal for the coolant level to drop during this process as air collects in the distribution plate. Inspect all parts of the loop, and in the eventuality that coolant leaks, fix the issue and repeat the testing process. Ensure that all hardware is dry before the system is powered on in order to prevent any damage.

WARRANTY

Our products are warranted against defects of materials and quality for a period of 24 months, starting with the date of delivery to the end-user. During this period, products will be repaired or have parts replaced at our discretion, provided that 1) the product is returned to the agent from whom it was purchased; 2) the product has been purchased by the end-user and has not been used for commercial purposes; 3) the product has not been misused, handled carelessly, or used in a manner other than the way described in the instructions manual. This warranty does not confer rights other than those expressly set out above and does not cover any claims for consequential loss or damage. This warranty is offered as an extra benefit and does not affect your statutory rights as a consumer. This warranty is voided if the product comes in contact with aggressive UV additives or other improper liquids. EK water blocks are sealed with a warranty-voiding circular label, proving the water block has withstood a pressure leak test. Removing the label will void the leak-free guarantee, but not the guarantee on the product itself. Any other RMA issues can be reported to EK Customer Support at www.ekwb.com/support for further analysis.

SUPPORT AND SERVICE

In case you need assistance or wish to order spare parts or a new mounting mechanism, please contact:

<https://www.ekwb.com/customer-support/>

For spare parts orders, refer to the page with "TECHNICAL SPECIFICATIONS AND WATER BLOCK PARTS" where you can find the EAN number of each part you might need.


Include the EAN number with quantity in your request. Mounting Mechanism EAN can be found under "BOX CONTENTS"

Thermal pads are readily available in the EK shop


SOCIAL MEDIA

 EKWaterBlocks

 @EKWaterBlocks

 ekwaterblocks

 EKWBofficial

 ekwaterblocks

