

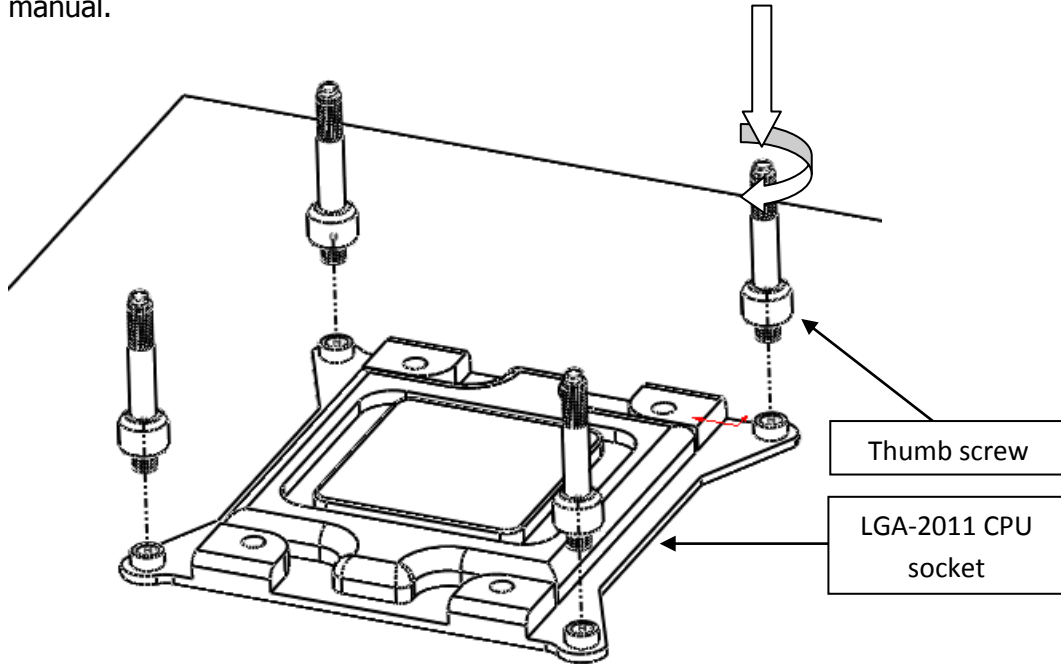
This product is intended for installation only by expert users. Please consult with a qualified technician for installation. Improper installation may result in damage to your equipment. EK Water Blocks assumes no liability whatsoever, expressed or implied, for the use of these products, nor their installation. The following instructions are subject to change without notice. Please visit our web site at www.ekwaterblocks.com for updates. Before installation of this product please read important notice, disclosure and warranty conditions printed on the back of the box.

The barb hose fittings require only a small amount of force to screw them in; otherwise the high flow fittings might break. These fittings do not need to be tightened with much force because the liquid seal is made using o-rings. The use of an algacide and corrosion inhibitors is always recommended for any liquid cooling system.

STEP 1: INTEL SOCKET LGA-2011 WATER BLOCK INSTALLATION PROCEDURE

STEP 1a: Installation of thumb screws

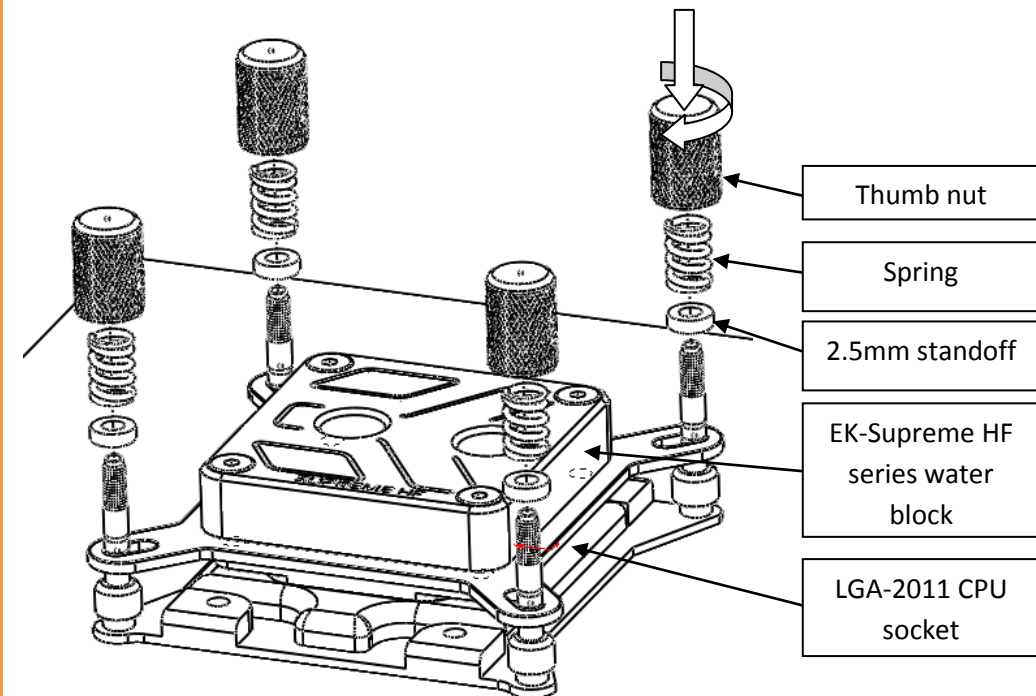
- 1) Place motherboard with preinstalled Intel LGA-2011 processor on an even surface with front side facing up.
- 2) Install four (4) thumb screws into four M4 threaded stubs on the LGA-2011 socket integrated latch mechanism (ILM). The screws are to be installed using no tools (i.e. pliers).
- 3) Install Thermal Interface Material (TIM) or thermal grease as per installation manual.



FOR CUSTOMERS WHO RECEIVED 'OLD' SCREWS:

STEP 1b: Fastening the waterblock:

Install the waterblock on your CPU. Place an enclosed 2.5mm POM standoff (an integral part of EK-Backplate Universal also enclosed with this water block), a compression spring and thumb nut over each threaded stub. Start fastening two thumb nuts at a time, preferably in cross pattern and do not tighten them fully until all of them are partially screwed in. Then - using your fingers only - screw in all four thumb nuts until you reach the end of the thread.

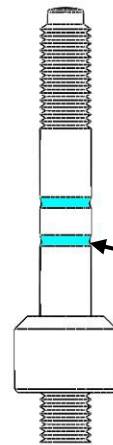
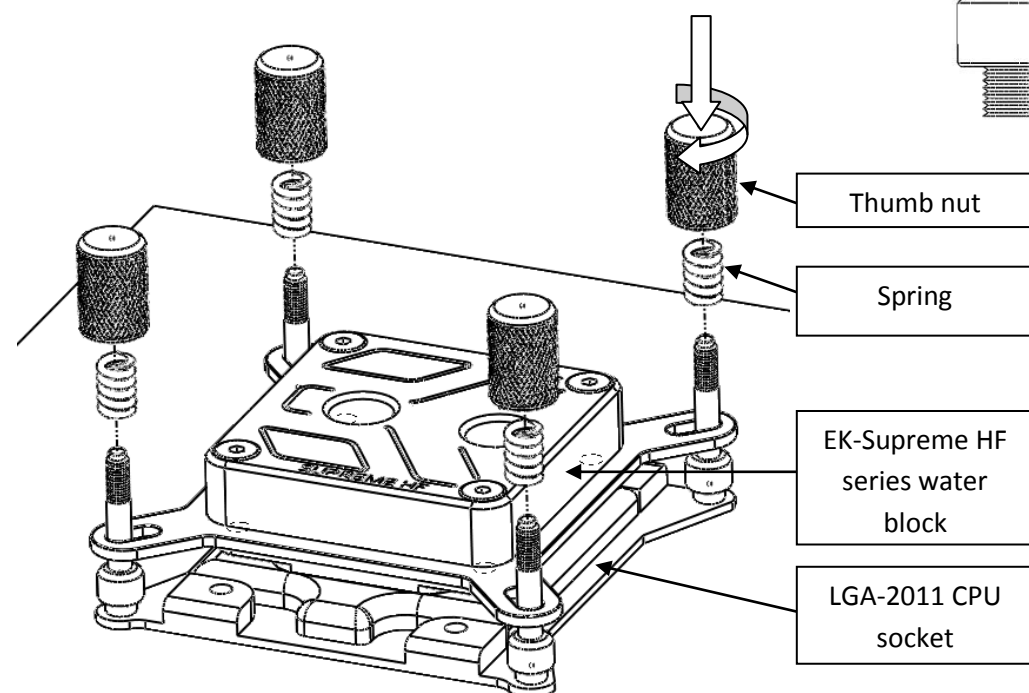


FOR CUSTOMERS WHO RECEIVED 'NEW' SCREWS:

Shipped from EK since Dec 16th 2011.

STEP 1b: Fastening the waterblock:

Install the waterblock on your CPU. Place an enclosed compression spring and thumb nut over each threaded stub. Start fastening two thumb nuts at a time, preferably in cross pattern and do not tighten them fully until all of them are partially screwed in. Then - using your fingers only - screw in all four thumb nuts until you reach the end of the thread.



The NEW screws are clearly marked with two milled grooves for easier recognition