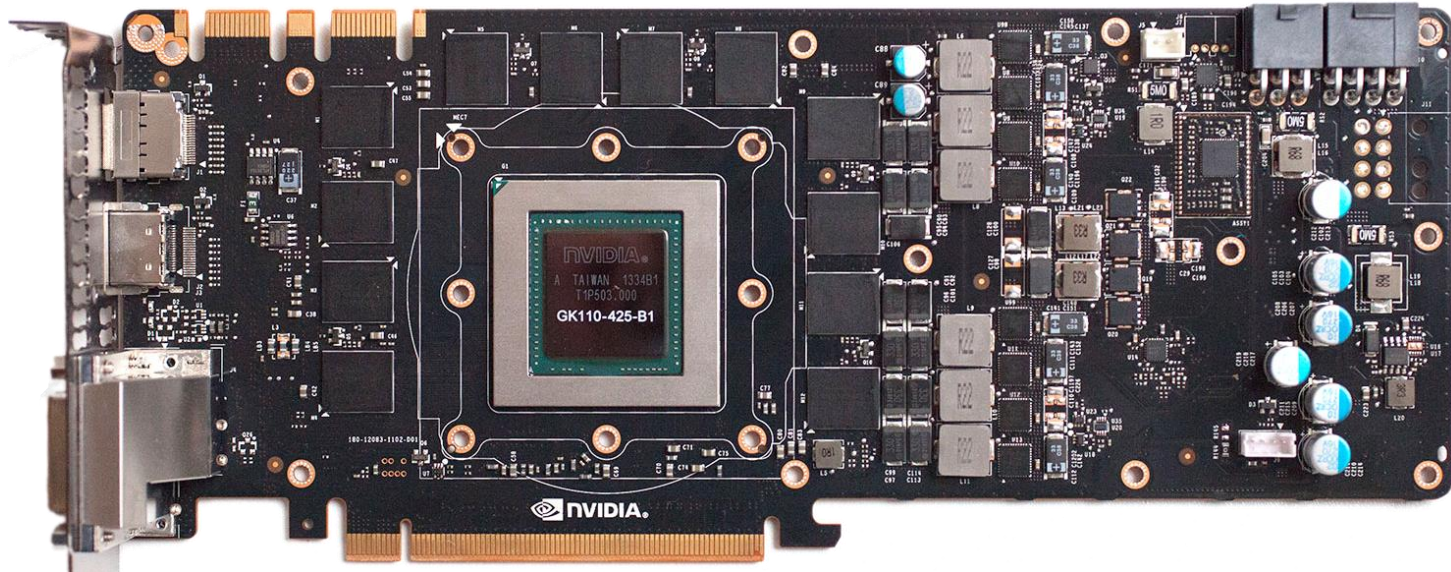


This product is intended for installation only by expert users. Please consult with a qualified technician for installation. Improper installation may result in damage to your equipment. EK Water Blocks assumes no liability whatsoever, expressed or implied, for the use of these products, nor their installation. The following instructions are subject to change without notice. Please visit our web site at www.ekwb.com for updates. Before installation of this product please read important notice, disclosure and warranty conditions printed on the back of the box.

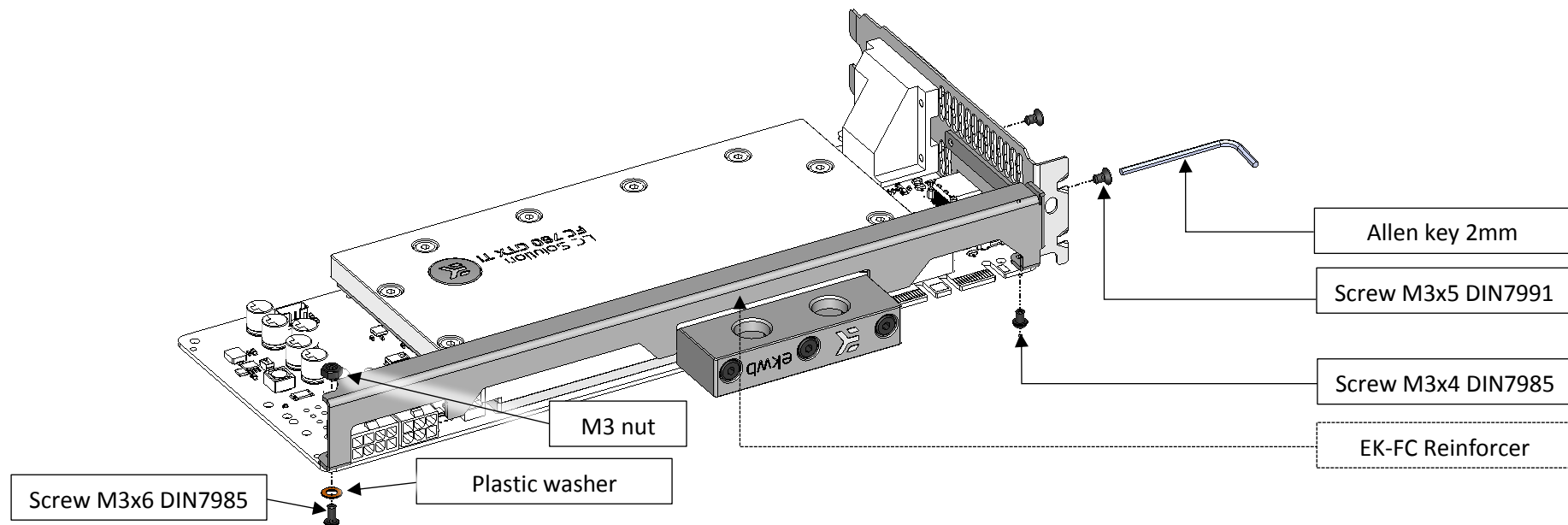
STEP 1: GENERAL INFORMATION. Sample picture of GeForce GTX 780 Ti series graphics card.



STEP 2: INSTALLING THE REINFORCER W/O USING EK-FC BACKPLATE

EK-FC780 GTX Ti Reinforcer is very easy to install. This step will show how to install the reinforcer without using the EK-FC780 GTX Ti Backplate:

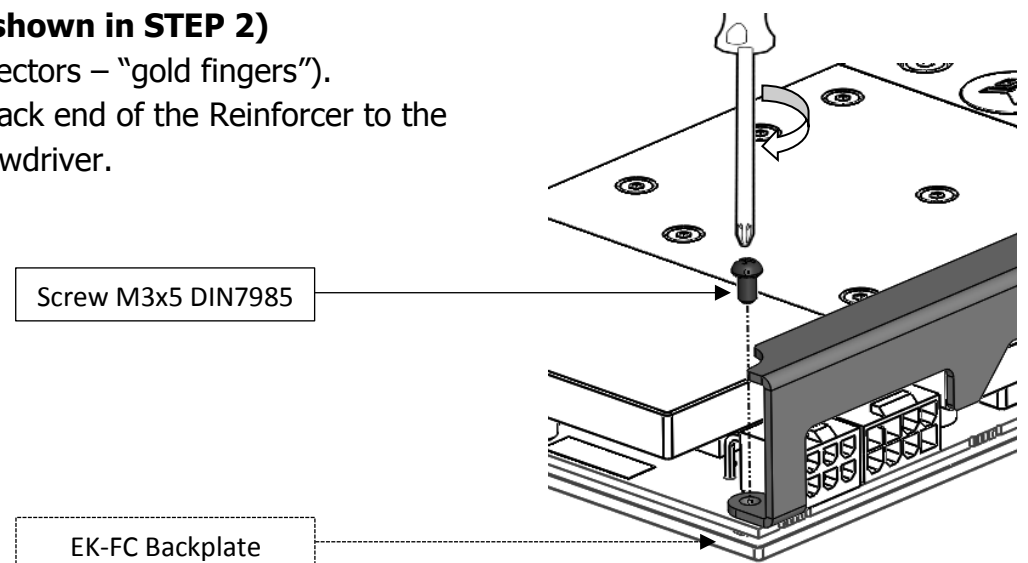
- 1) Install EK-FC780 GTX Ti series water block according to its installation manual in case you haven't done so yet.
- 2) Install the Reinforcer over the water block, align the three mounting holes and secure the Reinforcer to the graphics card I/O bracket with enclosed M3x5 DIN7991 screws using enclosed Allen key 2mm.
- 3) Secure the Reinforcer with M3x4 DIN7985 screw (near the SLI connectors – "gold fingers").
- 4) Finish the installation by using M3x6 DIN7985 screw, plastic washer and a M3 nut to secure the back end of the Reinforcer to the graphics card circuit board. Tighten the screw using Philip head screwdriver.



STEP 3 (alternatively): INSTALLING THE REINFORCER AND USING IT WITH THE EK-FC BACKPLATE

Alternatively, it is possible to use both EK-FC780 GTX Ti Backplate and Reinforcer at the same time. This step will show how to install the Reinforcer using the EK-FC780 GTX Ti Backplate:

- 1) Install EK-FC780 GTX Ti series water block and EK-FC780 GTX Ti Backplate according to its installation manual in case you haven't done so yet.
- 2) Install the Reinforcer over the water block, align the three mounting holes and secure the Reinforcer to the graphics card I/O bracket with enclosed M3x5 DIN7991 screws using enclosed Allen key 2mm **(as shown in STEP 2)**
- 3) Secure the Reinforcer with M3x4 DIN7985 screw (near the SLI connectors – "gold fingers").
- 4) Finish the installation by using M3x5 DIN7985 screw to secure the back end of the Reinforcer to the graphics card circuit board. Tighten the screw using Philip head screwdriver.



REQUIRED TOOLS:



Philips head screwdriver