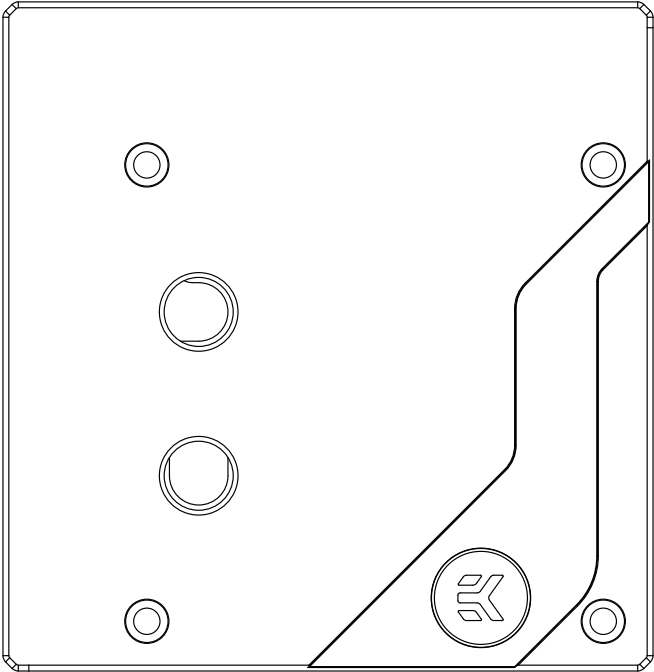


EK-Mana MSI MAG Z690 TORPEDO EK X D-RGB

MONOBLOCK



This product is intended for installation only by expert users. Please consult with a qualified technician for installation. Improper installation may result in damage to your equipment. EK Water Blocks assumes no liability whatsoever, expressed or implied, for the use of these products, nor their installation. The following instructions are subject to change without notice. Please visit our web site at www.ekwb.com for updates. Before installation of this product please read important notice, disclosure and warranty conditions printed on the back of the box.

Before you start using this product please follow these basic guidelines:

Please carefully read the manual thoroughly before beginning with the installation process!

Please remove your motherboard from the computer to assure safest mounting process in order to prevent any possible damages to your CPU and/or motherboard's circuit board (PCB).

The EK- Fittings require only a small amount of force to screw them firmly in place since the liquid seal is ensured by the rubber o-ring gaskets.

The use of quality, market proved corrosion inhibiting coolants is always strongly recommended for any liquid cooling system.

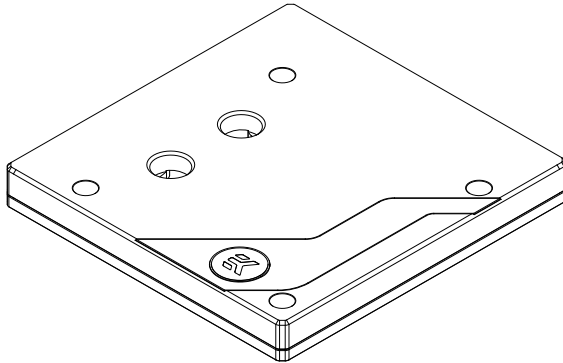
TABLE OF CONTENT

BOX CONTENTS	4
PREPARING YOUR MOTHERBOARD	5
APPLYING THERMAL COMPOUND	5
CUTTING THERMAL PADS	5
PLACING THERMAL PADS ON THE MONOBLOCK	5
PLACING THE BLOCK ON TO MOTHERBOARD	6
ATTACHING BLOCK ON THE MOTHERBOARD	7
TECHNICAL SPECIFICATIONS AND WATER BLOCK PARTS	8
CONNECTING THE D-RGB LED STRIP	9
REQUIRED TOOLS	9
SUPPORT AND SERVICE	10
SOCIAL MEDIA	10

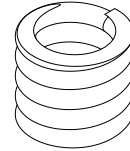
BOX CONTENTS

MSI Z690 Torpedo EK X Mounting Mechanism

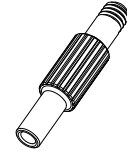
EAN: 3831109891636



EK-Mana MSI MAG Z690 TORPEDO EK X D-RGB



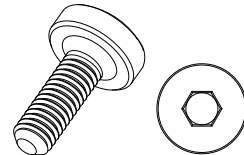
Spring M3x10mm 8kg (4 pcs)



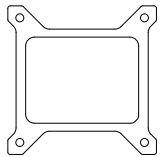
MS - Magnitude Z690 Torpedo Standoff (4 pcs)



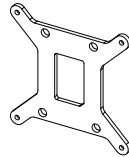
Allen Key 2.5mm (1 pc)



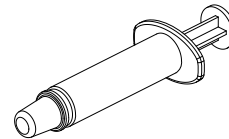
MS - Magnitude M3x9 Screw (4 pcs)



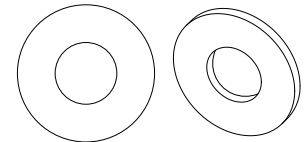
Rubber Gasket (1 pc)



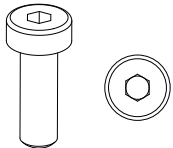
Metal Backplate (1 pc)



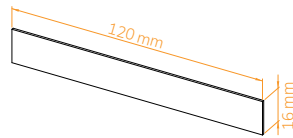
EK TIM Thermal Grease (1 pc)



M4 PVC Washer 0.8 mm (5 pcs)

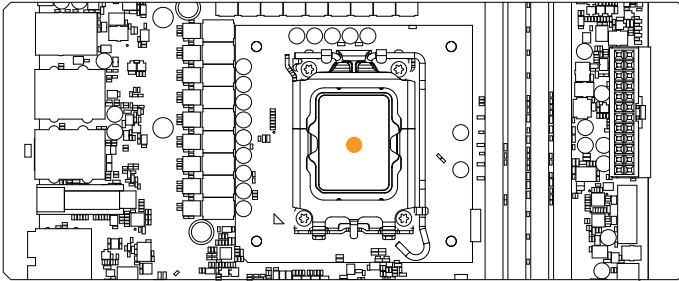


M4 x 12 DIN7984 (5 pcs)



Thermal PAD F 2.0 mm - (120x16mm) (2 pcs)

PREPARING YOUR MOTHERBOARD



Thermal PAD F 2.0 mm (120 x 16 mm)



APPLYING THERMAL COMPOUND

Apply thermal compound on CPU heat spreader (IHS) with enclosed EK-TIM Ectotherm thermal grease. The quantity of about two rice grains is just about right. There is no need to cover the whole IHS. Applying too much thermal grease will have negative impact on the cooling performance!

CUTTING THERMAL PADS

1. Thermal PAD F 2.0 mm - (120 x 16 mm) EAN: 3830046996756



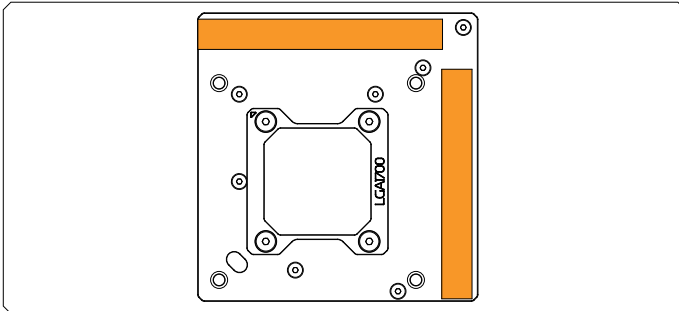
WARNING: Dimensions on pictures below are scaled.

PLACING THERMAL PADS ON THE MONOBLOCK

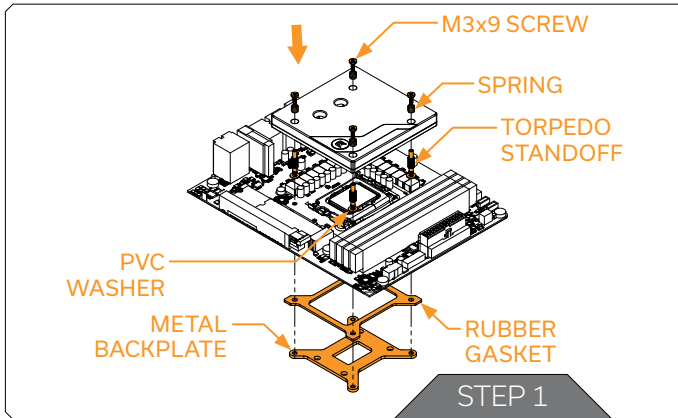
Place thermal pads on monoblock as shown on the picture.



Please remove the protective foil from both sides of the thermal pads prior to installation!



PLACING THE BLOCK ON TO MOTHERBOARD



STEP 1

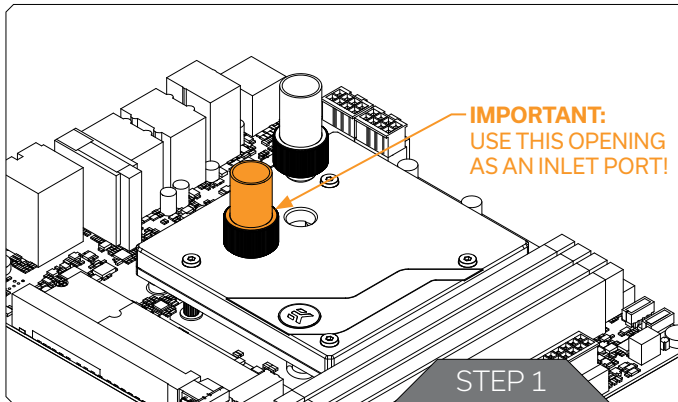
Place the Backplate Insulator (Rubber Gasket) and Metal Backplate under the motherboard and make sure the mounting holes are aligned with those on the rubber gasket and metal backplate.

Use four (4) M4 PVC washers and Magnitude Z690 Torpedo Standoff (Ni) and screw them into the motherboard.

Place the EK-Mana MSI MAG Z690 TORPEDO EK X D-RGB water block to the motherboard (as shown on the photo). Make sure that mounting holes are aligned.

Prior to fastening the screws please make sure the mounting holes on the motherboard's circuit board are aligned with the water block.

Put the springs in the holes, and then use four screws to tighten monoblock on to the motherboard. Do not use excessive force when tightening the screws.



ATTACHING BLOCK ON THE MOTHERBOARD

STEP 1

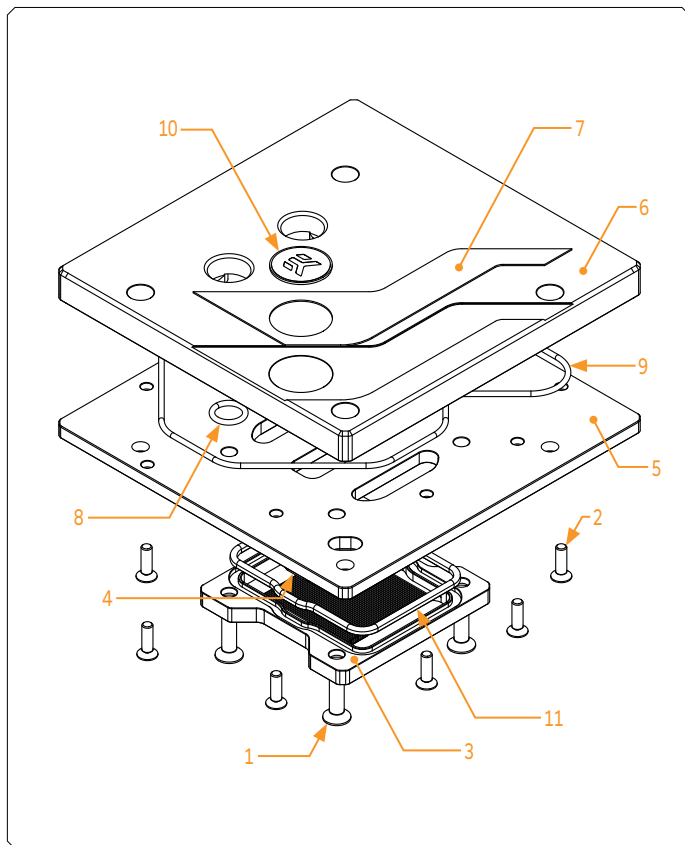


Do not forget install the Backplate Insulator and Backplate (as shown on the photo).

For the EK-Mana MSI MAG Z690 TORPEDO EK X D-RGB series water block to operate properly the G1/4 port nearest to the right edge of the water block **MUST BE USED AS THE INLET PORT**.

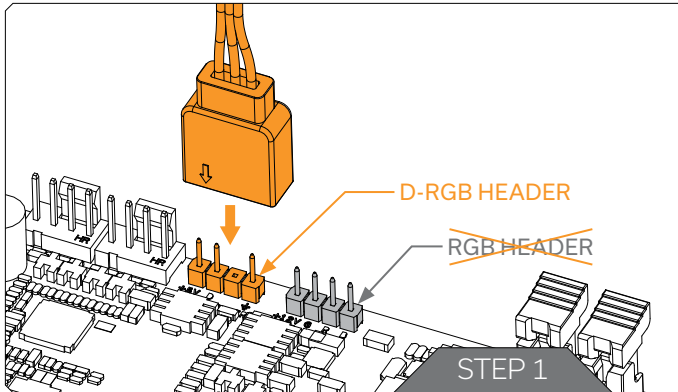
EK recommends the use of EK-Fittings. When using fittings other than EK series please use hose clamps or appropriate substitute to secure the tubing to the barb. The use of biocide containing and corrosion inhibiting coolant is always recommended for any liquid cooling system.

TECHNICAL SPECIFICATIONS AND WATER BLOCK PARTS



Position	EAN	Description	Quantity
1	9028	Vijak M4 x 14 7991DIN - Nickel	4
2	102663	Vijak M3 x 10 7991DIN (Black Nickel)	11
3	104027	Baker - Velocity 2 1700	1
4	104029	Kovina - Velocity 2 Jet Plate 1700	1
5	104247	Kovina - MSI Z690 Torpedo	1
6	104246	TOP Plexi - MSI Z690 Torpedo	1
7	104510	Cover - MSI Z690 Torpedo EK X	1
8	104309	OR 7 x 1.5	1
9	5192	OR - MSI Z690 Torpedo EK X	1
10	104308	EK - Meta Badge	1
11	103951	OR - Velocity 2 Set	1

CONNECTING THE D-RGB LED STRIP



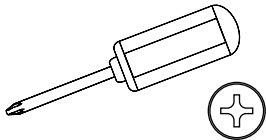
Plug the 3-pin connector from Monoblock D-RGB LED strip to the motherboard.



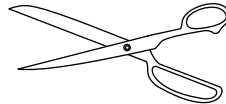
Please ensure that the arrow indicated on the connector is plugged into the +5V line as indicated on your motherboard. Failure to do so will damage your motherboard or LED strip.

REQUIRED TOOLS

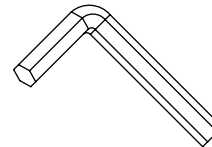
Phillips-head screwdriver



Scissors



Allen Key



SUPPORT AND SERVICE

In case you need assistance or wish to order spare parts or a new mounting mechanism, please contact:


<https://www.ekwb.com/customer-support/>

For spare parts orders, refer to the page with "TECHNICAL SPECIFICATIONS AND PRODUCT PARTS" where you can find the EAN number of each part you might need.


Include the EAN number with quantity in your request. Mounting Mechanism EAN can be found under "BOX CONTENTS"

Thermal pads are readily available in the EK shop


SOCIAL MEDIA

 EKWaterBlocks

 @EKWaterBlocks

 ekwaterblocks

 EKWBofficial

 ekwaterblocks

