

Installation manual for EK-SF3D Triple Point EVO – UNI Adapter

This product is intended for installation only by expert users. Please consult with a qualified technician for installation. Improper installation may result in damage to your equipment. EK Water Blocks assumes no liability whatsoever, expressed or implied, for the use of these products, nor their installation. The following instructions are subject to change without notice. Please visit our web site at www.ekwb.com for updates. Before installation of this product please read important notice, disclosure and warranty conditions printed on the back of the box.

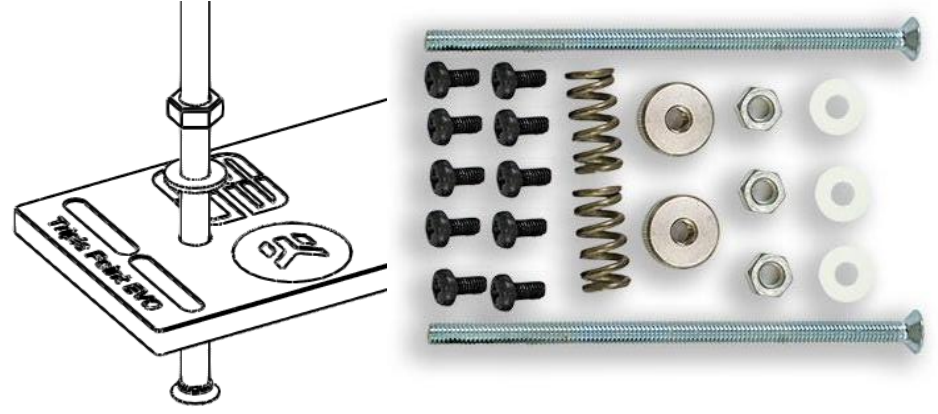
Before you start using this product please follow these basic guidelines:

1. **Please carefully read the manual before through before beginning with the installation process!**
2. **Place components on the clean, static free environment in order to prevent any possible damages to your RAM and/or motherboard's circuit board (PCB).**

STEP 1: GENERAL INFORMATION AND MOUNTING MECHANISM INSTALLATION

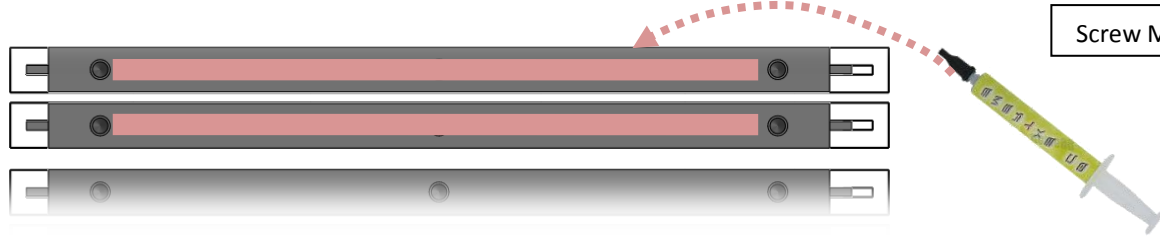
EK-SF3D Triple Point EVO - UNI Adapter is a universal adapter plate that allows the installation of various cooling solutions to your Triple Point Module Adapters. Used in conjunction with up to four Module Adapters this unit allows extreme overclocking of virtually any (DDR-)SDRAM memory module (of any generation). This product is compatible with any cooling head that has support for AMD Socket 940 / 939 / 754 mounting hole pattern.

EK-SF3D Triple Point EVO – UNI Adapter comes with universal mounting mechanism featuring extra-long 80mm M4 screws, spring.



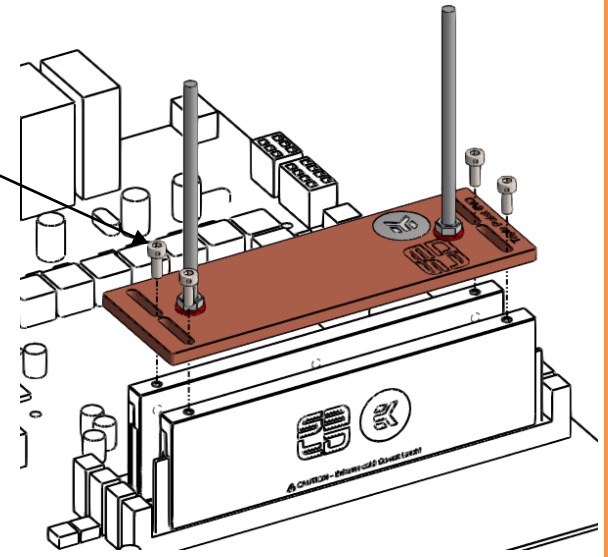
STEP 2: INSTALLING EK-RAM MONARCH ON EACH MEMORY

Prior to continuing to STEP 5 we recommend users to consult EK-SF3D Triple Point EVO Module installation manual. Apply thermal grease as requested in STEP 5 of the aforementioned manual.



During this process please make sure you align holes on PCB with holes on block. By using Philips head screwdriver screw in the M3x6 DIN7985 screws provided with this UNI Adapter. Do not tighten the screw completely until you have aligned all memory modules as straight as possible.

Install your Phase-Change Cooling Unit Evaporator, old LN2 evaporator or water cooled TEC to and secure it using the enclosed springs and M4 Thumb Nuts. Apply thermal insulation, cool down the EK-SF3D Triple Point EVO – UNI Adapter and enjoy extreme overclocking!



REQUIRED TOOLS: Philips Head Screwdriver