

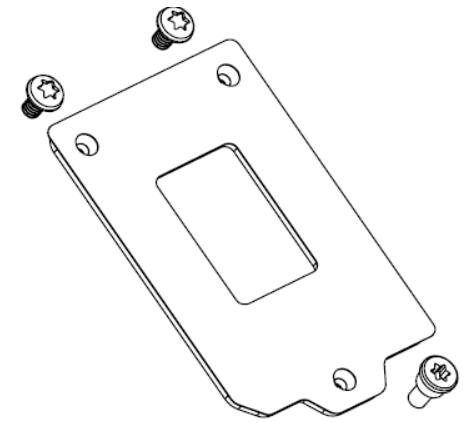
This product is intended for installation only by expert users. Please consult with a qualified technician for installation. Improper installation may result in damage to your equipment. EK Water Blocks assumes no liability whatsoever, expressed or implied, for the use of these products, nor their installation. The following instructions are subject to change without notice. Please visit our web site at www.ekwaterblocks.com for updates. Before installation of this product please read important notice, disclosure and warranty conditions printed on the back of the box.

IMPORTANT DISCLOSURES

CAUTION:

The EK-LGA115x TRUE Backplate is intended to replace the original integrated latch mechanism (ILM) backplate (BP) of the LGA-1155 Socket-H2 and LGA-1156 Socket-H1. This product is intended for use with LGA-1155 and LGA-1156 motherboard only! Despite the physical similarity with the LGA-775 sockets this product **does not fit** any other type of socket to date. Using this product on a non-supported socket motherboard may lead to permanent and irreparable motherboard and/or CPU damage. This product may be used with all EK-Supreme series water blocks!

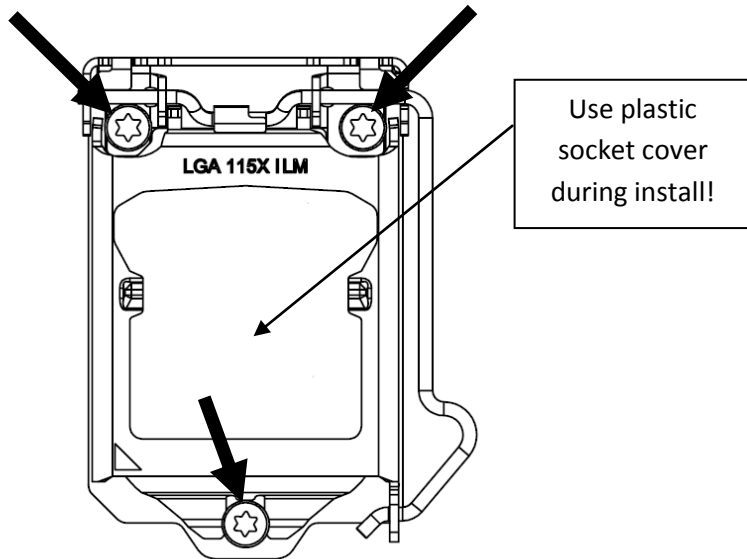
While all efforts have been made to provide the most comprehensive tutorial possible, EK Water Blocks assumes no liability expressed or implied for any consequential damage(s) occurring to your equipment as a result of using EK Water Blocks cooling products, either due to errors or omissions on our part in the above instructions, or due to failure or defect in the EK Water Blocks cooling products.



LGA115X BACK PLATE

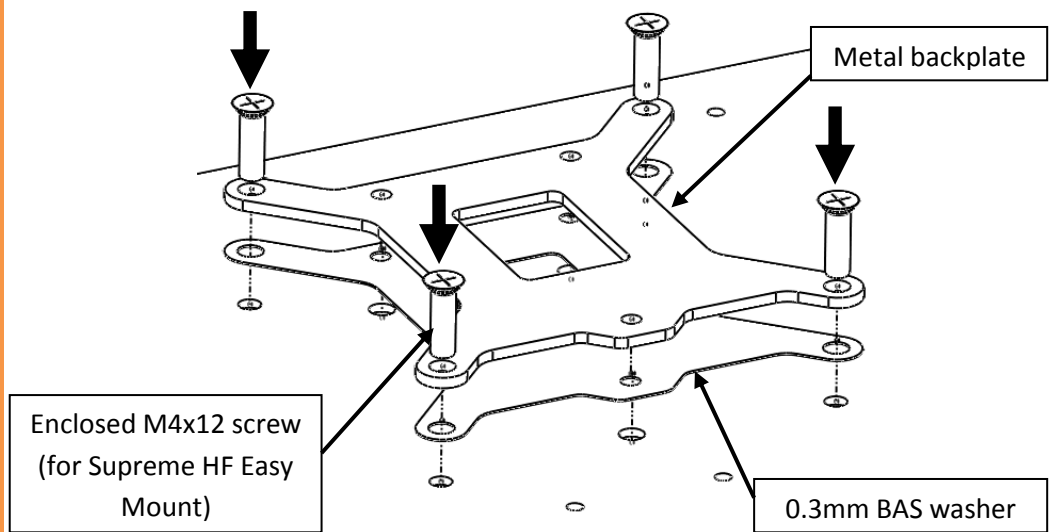
STEP 1: REMOVING THE ORIGINAL LATCH MECHANISM BACKPLATE

Please remove your motherboard from the computer to assure safest mounting process possible in order to prevent any possible damages to your PCB. With the enclosed Torx T20 key please remove the three screws securing the socket latch mechanism (ILM) and original backplate (BP) to the motherboard. **Make sure you have install the plastic cover over the socket pins during this procedure!**



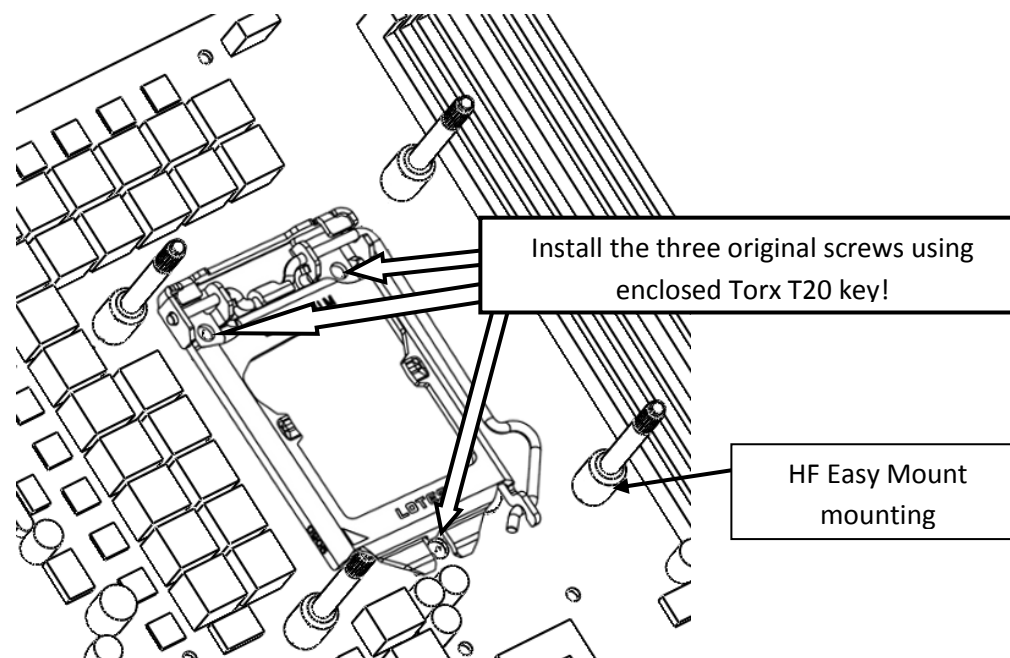
STEP 2: INSTALLING THE EK-LGA115x TRUE BACKPLATE

Align the EK-LGA115x TRUE backplate and its washer to the backside of the motherboard and install the enclosed M4x12 DIN965 screws (in case of using the EK-Supreme HF Easy Mount) through the motherboard's mounting openings first. In case of using the traditional EK-Supreme mounting mechanism, please install the M4x50 DIN965 screws provided with the waterblock's packaging. Do not tighten the screws fully just yet! Apply corrections to the EK-LGA115x Backplate until all seven openings line up perfectly.



STEP 2 cont: INSTALLING THE EK-LGA115x TRUE BACKPLATE

After the EK-LGA115x TRUE backplate is secured to the motherboard via four M4 screw mounting mechanism please re-attach the LGA-115x socket latch mechanism (ILM) to the motherboard using the enclosed Torx T20 key (while tightening the latch screws make sure it stays in the aligned position)! Only now it is safe to tighten all four screws of the EK-Supreme mounting system.



REQUIRED TOOLS



philips screwdriver



Torx T-20 key