

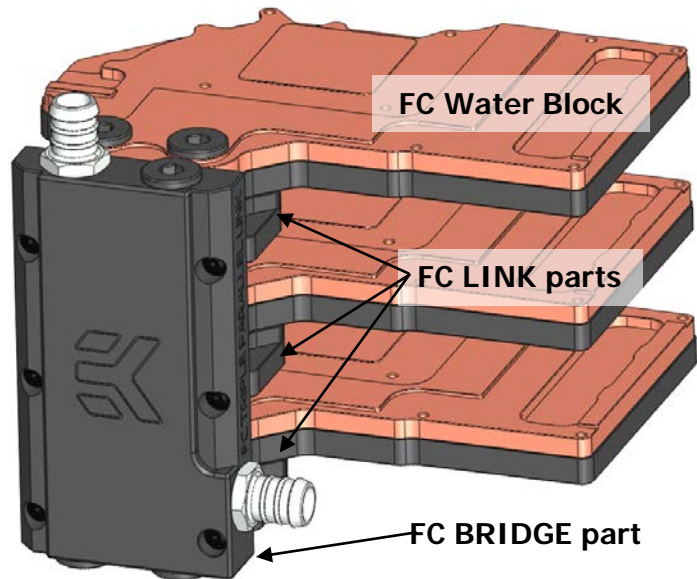
This product is intended for installation only by expert users. Please consult with a qualified technician for installation. Improper installation may result in damage to your equipment. EKWB d.o.o. assumes no liability whatsoever, expressed or implied, for the use of these products, nor their installation. The following instructions are subject to change without notice. Please visit our web site at www.ekwaterblocks.com for updates. **The barb hose fittings require only a small amount of force to screw them in; otherwise the high flow fittings might break. These fittings do not need to be tightened with much force because the liquid seal is made using o-rings. EKWB recommends 24 hour leak testing for all EK products before powering on the computer. This will eliminate any damages that may occur because of the users improper installation or products imperfections.**

VERY IMPORTANT NOTICE:

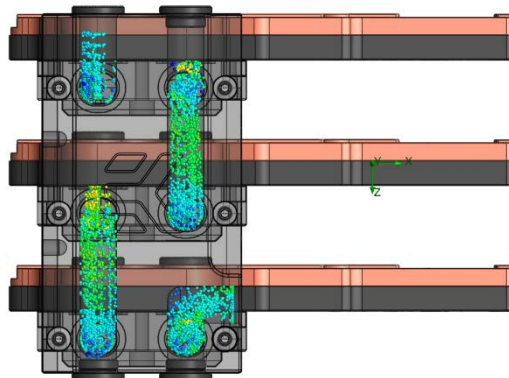
When tightening the screw into the acetal make sure not to overtighten it. Overtightening the screw will damage the thread, rendering the product useless.

STEP 1: GENERAL INFORMATION.

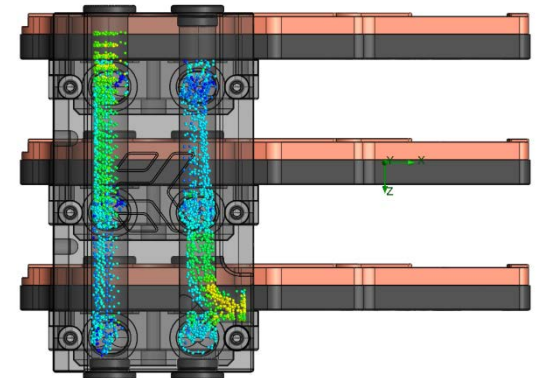
Example picture of installed triple EK-FC Bridge and EK-FC Links



STEP 2: GENERAL INFORMATION: SERIAL vs PARALLEL

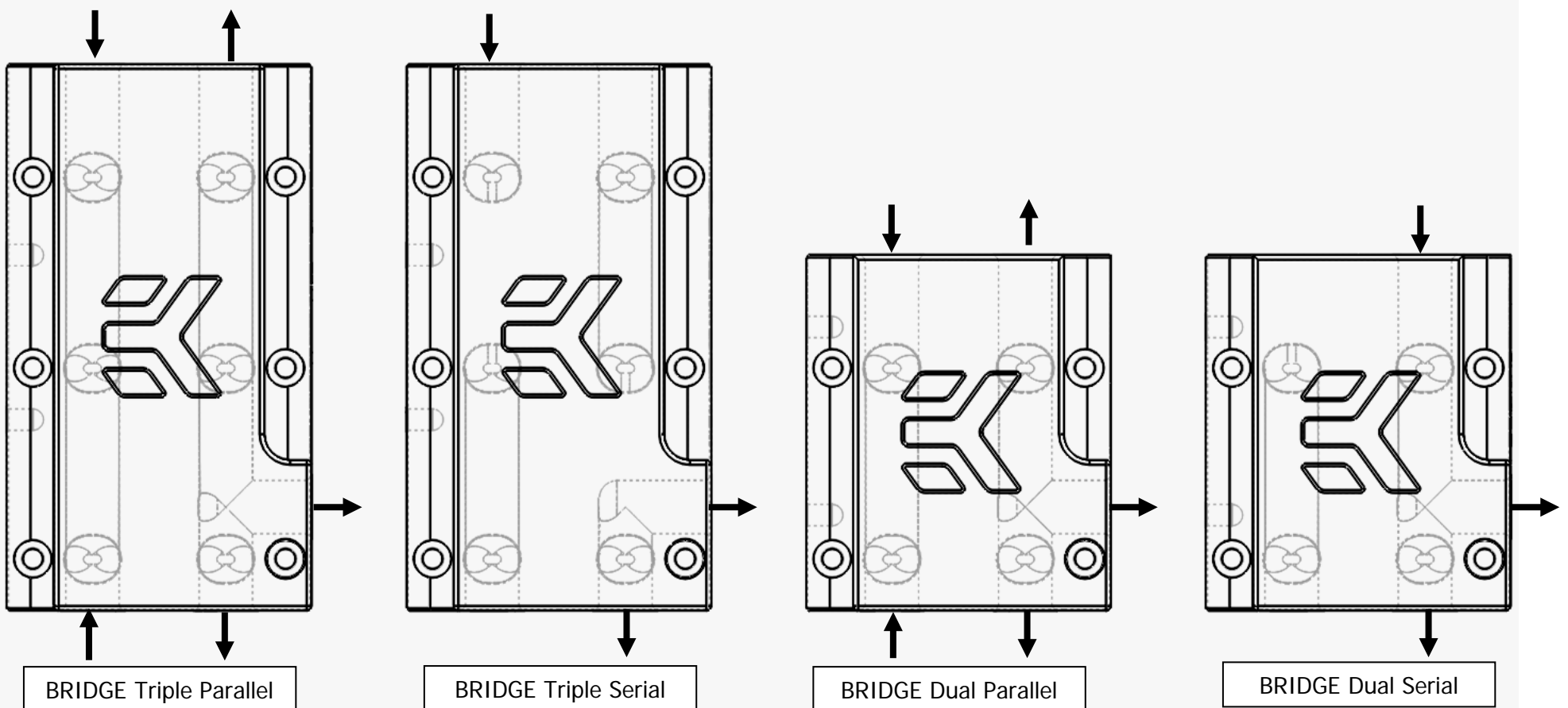


Serial or successive flow:
Water starts flowing initially through first block, continues to second block and ends up with the third block. Overall system water flow is lower (pressure drop is higher) compared to parallel flow due to higher restriction.



Parallel flow:
Water flows through all blocks simultaneously. With such configuration each water block gets one third of all flow. Overall system water flow is higher (pressure drop is lower) compared to serial or successive flow.

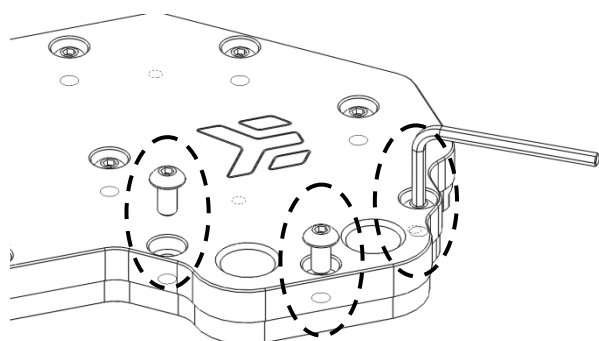
STEP 3: CHOOSING INLET AND OUTLET PORT



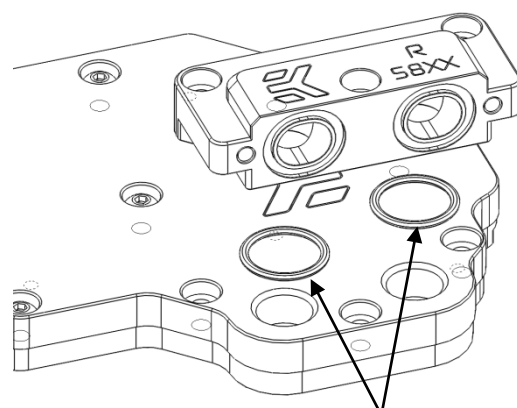
Only one port must be used as an inlet and only one port as an outlet!

Ports can be exchanged, meaning inlet can be used as outlet and at the same time outlet can be used as inlet.

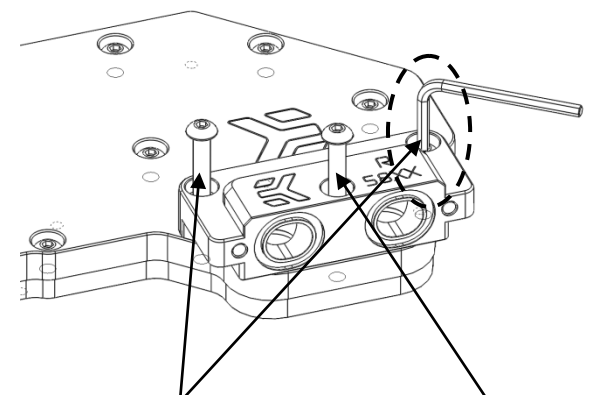
STEP 4: ATTACHING THE LINK PART TO WATER BLOCK



Unscrew three encircled M4×8mm screws with enclosed 2,5mm Allen key.



Prepare the link and use two 15x1,5mm o-rings on the G1/4 threads of the top.

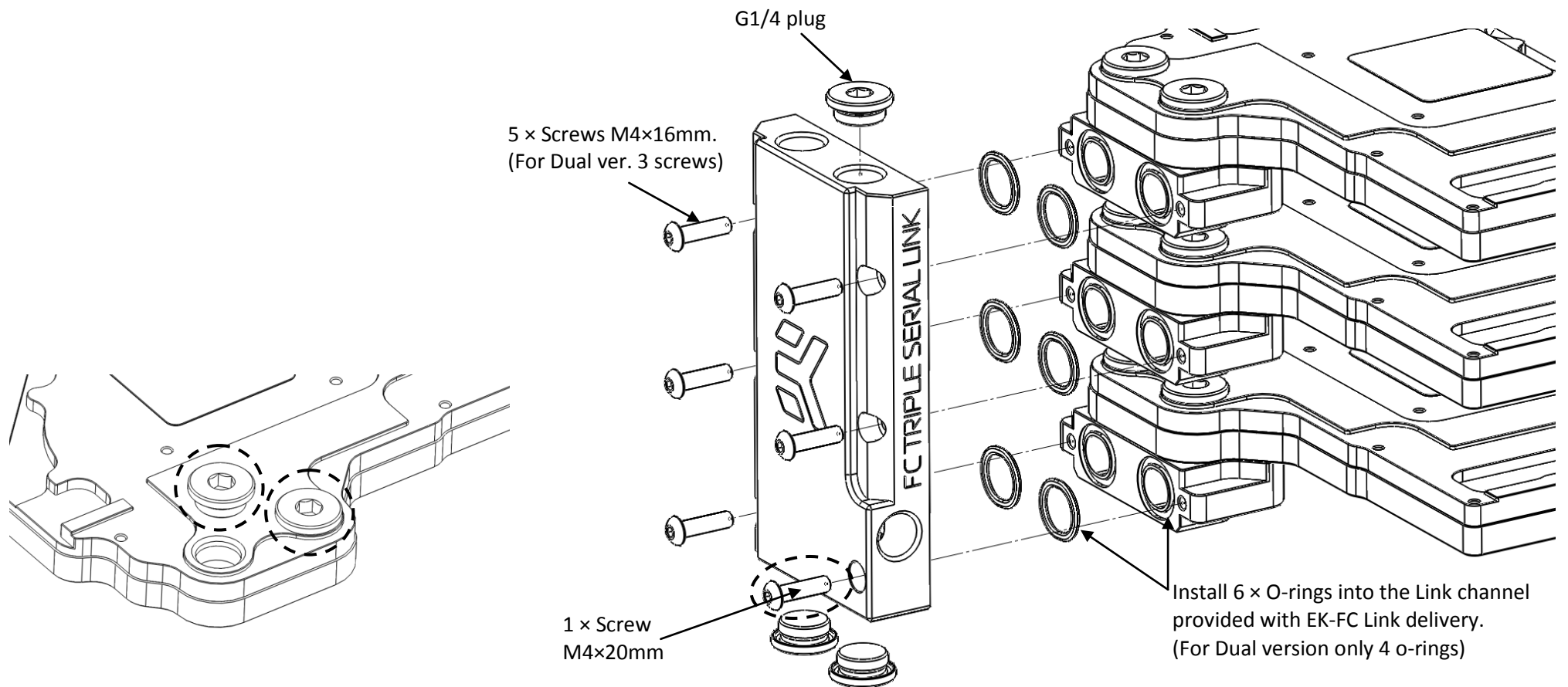


Use two M4×20 screws and one M4×25 screw to attach FC Link to Full Cover water block. Do not use high force when tightening.

VERY IMPORTANT NOTICE:

When tightening the screw into the acetal make sure not to overtighten it. Overtightening the screw will damage the thread, rendering the product useless.

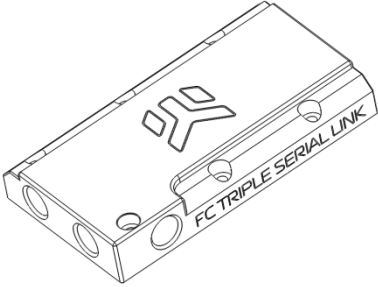
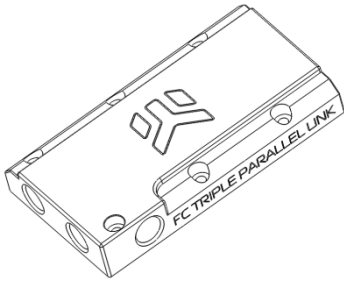
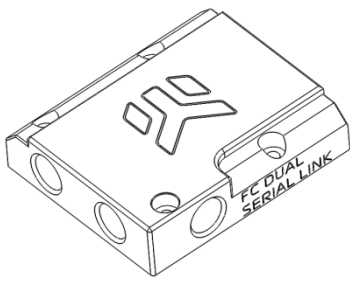
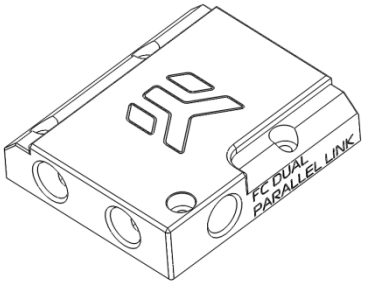
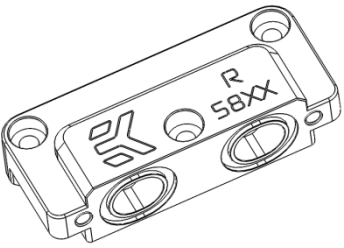
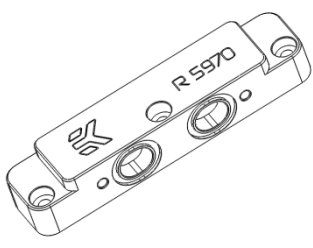
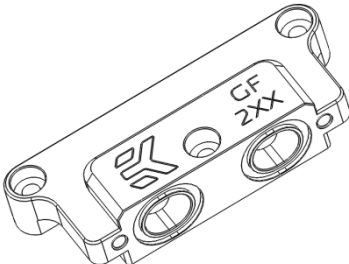
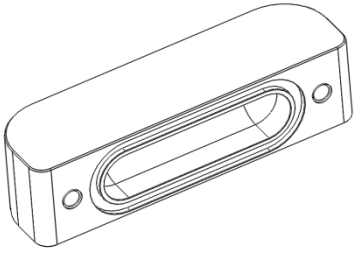
STEP 5: ATTACHING THE BRIDGE PART TO CONNECT WATER BLOCKS



Plug both G1/4 ports on copper with encircled EK-Plug G1/4. Use Allen key to tighten the plug.

Use enclosed 2,5mm Allen key to screw in all M4 screws. Do not use high force to tighten them. Over tightening the screws will damage the threads, rendering the product useless.

BRIDGE and LINK OPTIONS and ACCESSORIES

	EK-FC Bridge TRIPLE Serial		EK-FC Bridge TRIPLE Parallel		EK-FC Bridge DUAL Serial		EK-FC Bridge DUAL Parallel
	EK-FC Link R48X0/58X0		EK-FC Link R5970		EK-FC Link GeForce		EK-FC Link BLANK for Triple Serial Bridge

OTHER INSTRUCTIONS

Please note that EKWB holds no responsibility of any kind if assembly is not made by instructions. This applies also for all products that are not listed as compatible on web page. Users must by all means also consider instructions that are being made for proper use of pump and other water cooling components provided by manufacturer(s).

HINT: Never let your pump dry running. If that happens for prolonged period of time you risk destroying bearing and rendering pump useless.