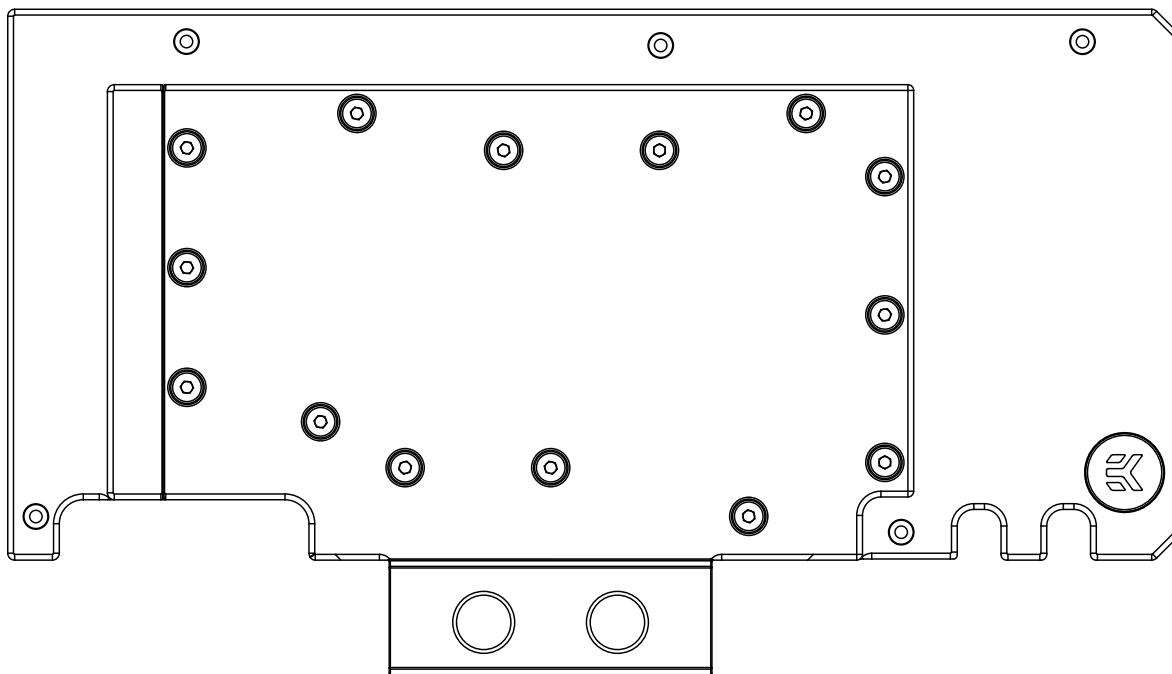


EK-Quantum Vector TUF RTX 3080/3090 Active Backplate



This product is intended for installation by expert users only. Please consult with a qualified technician. Improper installation may result in damage to your equipment. EK assumes no liability whatsoever, expressed or implied, for the use of this product or its installation. The following instructions are subject to change without notice. Please, read the manual carefully before beginning with the installation process. For updates, you can visit our official website www.ekwb.com.

Before you start using this product, please follow these basic guidelines:

Carefully read the manual before beginning with the installation process.

Remove your graphics card from the computer for the safest mounting process to prevent any possible damage to your GPU or its circuit board (PCB).

EK Fittings require only a small amount of force to screw them firmly in place since the liquid seal is ensured with the rubber O-ring gaskets.

The use of quality market-proven corrosion-inhibiting coolants is always strongly recommended for any liquid cooling system.

Do not use pure distilled water as a cooling liquid! For best results, EK recommends the use of EK-CryoFuel Coolants.

Make sure to bleed air out of your water block thoroughly in order to reach optimal performance.

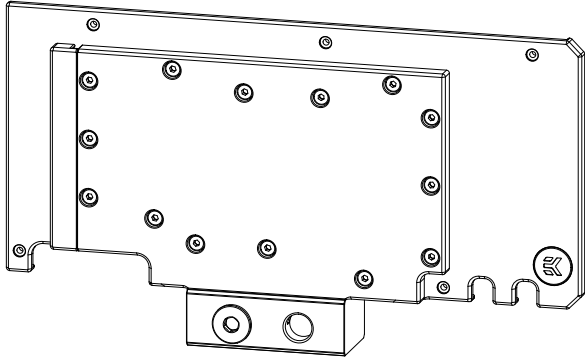
EK only guarantees compatibility with included EK-brand thermal pads. Installation process, cooling performance and block contacts are tested exclusively with EK-brand thermal pads. Listed thermal pad thicknesses apply only to thermal pads included in the package.

EK does not guarantee compatibility with aftermarket alternatives for thermal interface material.

TABLE OF CONTENTS

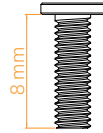
BOX CONTENTS	4
ACTIVE BACKPLATE DIMENSIONS	5
REQUIRED TOOLS	5
TECHNICAL SPECIFICATIONS AND PRODUCT PARTS	6
INSTALLING THE ACTIVE BACKPLATE	7
PREPARING THE GRAPHICS CARD	7
CUTTING AND PLACING THERMAL PADS	9
REMOVING THE TERMINAL METAL PLATE	10
ATTACHING THE ACTIVE BACKPLATE	10
INSTALLING FITTINGS AND TUBING	12
CONNECTING THE D-RGB LED STRIP	12
SUPPORT AND SERVICE	13
SOCIAL MEDIA	13

BOX CONTENTS

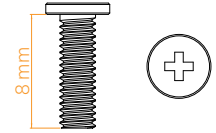


EK-Quantum Vector TUF RTX 3080/3090 Active Backplate

Universal Mounting Mechanism – You may not need every screw from this package. EAN: 103301



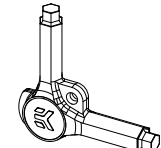
M2.5x8 AX1 Screw (8 pcs)



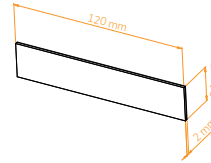
M2.5x8 AX1 Screw - Nickel (8 pcs)



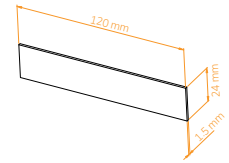
Allen Key 2.5 mm (1 pc)



EK-Loop Multi Allen Key (1 pc)

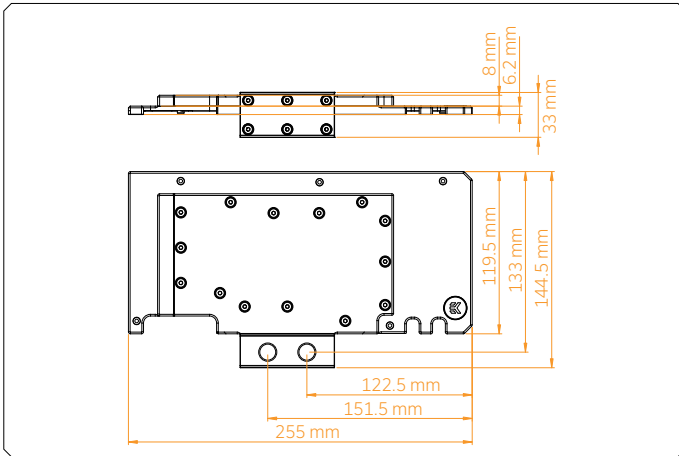


Thermal Pad G 2.0 mm - (120x24mm) (3 pcs)

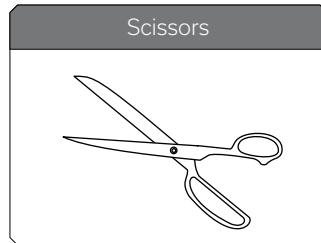
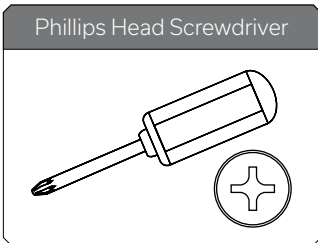


Thermal PAD G 1.5 mm - (120x24mm) (3 pcs)

ACTIVE BACKPLATE DIMENSIONS



REQUIRED TOOLS



TECHNICAL SPECIFICATIONS AND PRODUCT PARTS

Technical Specification:

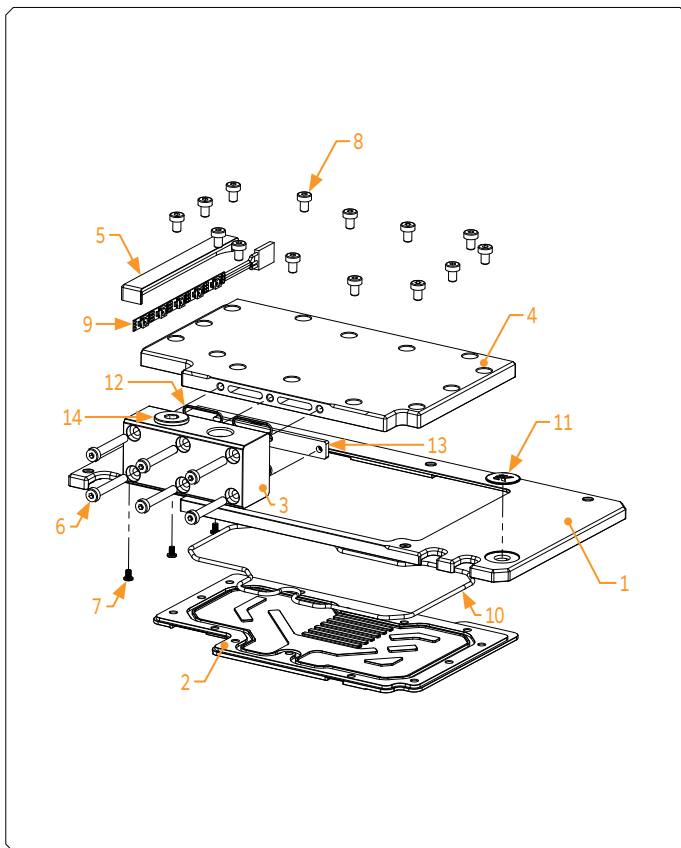
Dimensions (L x H x W): 255 x 144.5 x 33 mm

D-RGB (Addressable RGB) Cable Length: 500 mm

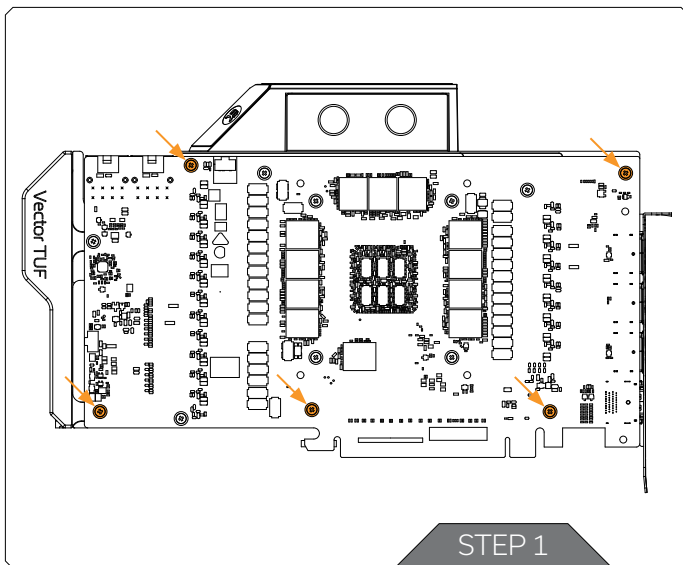
D-RGB LED Count: 5 (Plexi Version)

D-RGB Connector: Standard 3-Pin (+5V, Data, Blocked, Ground)

Position	EAN	Description	Quantity
1	103859	ALU BACKPLATE - NICKEL	1
	103860	ALU BACKPLATE - BLACK	
2	103862	COLDPLATE (Nickel)	1
3	103631	AB TERMINAL - PLEXI	1
	103630	AB TERMINAL - ACETAL	
4	103865	TOP PLATE - PLEXI	1
	103866	TOP PLATE - ACETAL	
5	103867	ACETAL STICKOUT	1
6	8323	M4 x 28 DIN7984 SCREW	6
7	9047	M2.5 x 4 AX1 SCREW	3
8	9023	M4x6 DIN7984 SCREW	14
9	100199	D-RGB LED STRIP	1
10	104206	MAIN O-RING	1
11	100663	EK BADGE	1
12	5155	TERMINAL O-RING 15 x 1 mm	4
13	4720	TERMINAL METAL PLATE	1
14	103116	PLUG G1/4 CSQ-BRIDGE	1



INSTALLING THE ACTIVE BACKPLATE

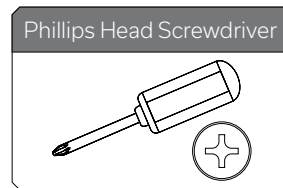


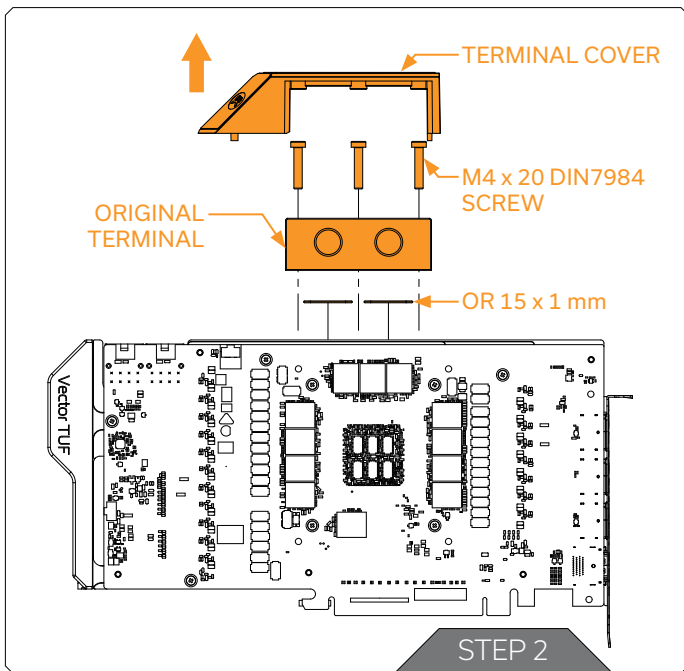
STEP 1

PREPARING THE GRAPHICS CARD

First, complete the installation of your EK-Quantum Vector TUF RTX 3080/3090 water block according to its installation manual. In case the water block is already installed, remove the five (5) AX1 screws and their PVC washers, as shown in the image.

For this Step, you will need:





STEP 2

REMOVING THE ORIGINAL TERMINAL

EK-Quantum Vector RTX 3080/3090 Active Backplate comes with its own terminal, meaning the original terminal, along with two (2) 15 x 1 O-rings, on the EK-Quantum Vector TUF RTX 3080/3090 water block has to be removed. Unscrew the three (3) M4 x 20 DIN7984 screws and detach the terminal from the water block. The procedure of terminal detachment is shown in the image.



Attention!

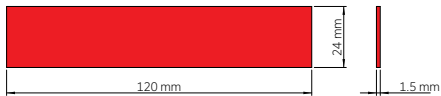
In case the EK-Quantum Vector TUF RTX 3080/3090 water block is already filled with coolant, empty the content of the water block before continuing with this step. Be careful that the coolant that remained in the water block does not come in contact with the GPU!

For this Step, you will need:

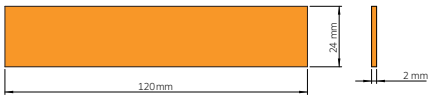
Allen Key 2.5 mm



Thermal PAD G 1.5 mm (120 x 24 mm)



Thermal PAD G 2.0 mm (120 x 24 mm)



STEP 3

STEP 3

CUTTING AND PLACING THERMAL PADS

Your Active Backplate comes with thermal pads that have to be cut into smaller pieces to cover all the VRM components. EK made sure to provide you with more than an adequate quantity of thermal pads to complete this Step-s.

Replacement thermal pads:

Thermal PAD G 1.5 mm - (120 x 24 mm) - EAN: 3830046996787

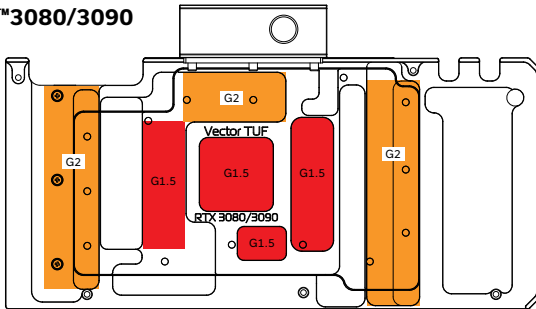
Thermal PAD G 2.0 mm - (120 x 24 mm) - EAN: 3830046996794



EK only guarantees compatibility with included EK-brand thermal pads. Installation process, cooling performance and block contacts are tested exclusively with EK-brand thermal pads. Listed thermal pad thicknesses apply only to thermal pads included in the package.

EK does not guarantee compatibility with aftermarket alternatives for thermal interface material.

RTX™3080/3090



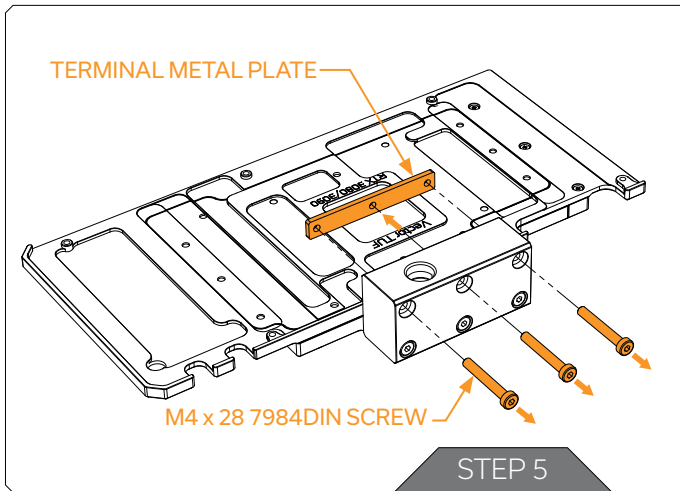
G1.5 Thermal Pad G 1.5 mm

G2 Thermal Pad G 2 mm

STEP 4

STEP 4

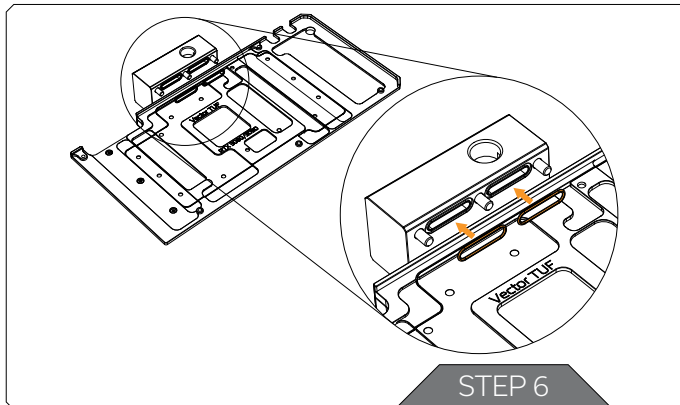
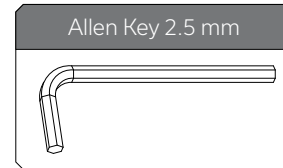
Once cut to size, thermal pads should be placed on the Active Backplate, as illustrated below.




STEP 5 REMOVING THE TERMINAL METAL PLATE

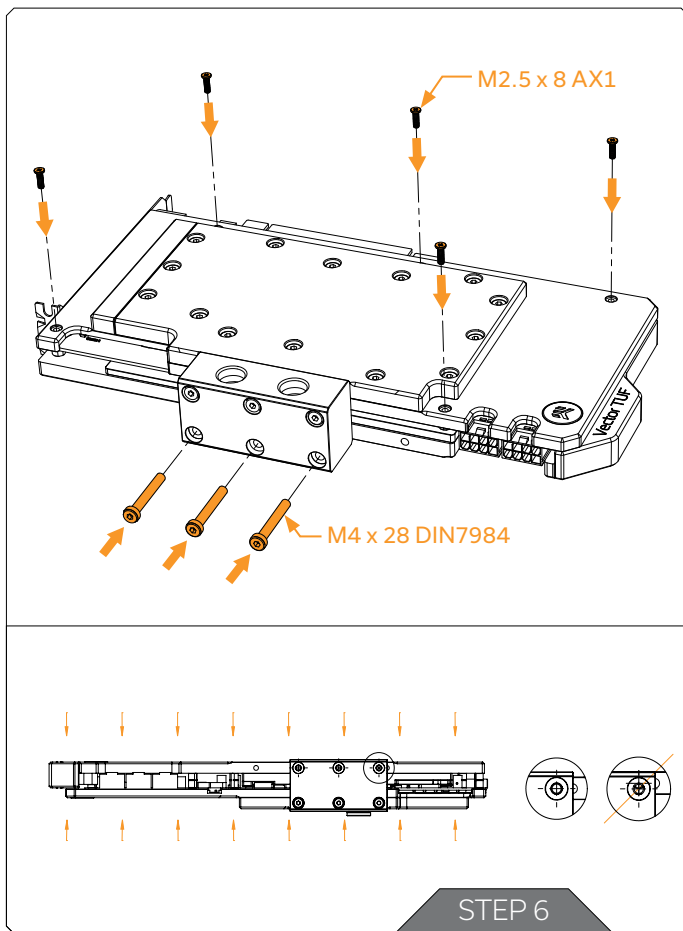
The Metal plate attached on the Terminal is meant as a precaution, to secure the two O-rings to prevent them from falling out of their sockets during transport and handling. Before the installation of the Active Backplate, this metal plate has to be removed. Unscrew the three (3) M4 x 28 DIN7984 screws with the provided 2.5 mm Allen Key shown on the picture. Keep the screws as they will be needed in the upcoming step, unlike the metal plate which will not be needed anymore.

For this Step, you will need:



STEP 6 ATTACHING THE ACTIVE BACKPLATE

 First, make sure the two (2) 15 x 1 O-rings are IN terminal slots, as shown in the image.




Place the active backplate on the PCB and make sure all holes are aligned. Position an M2.5 x 8 AX1 screw into each of the five (5) mounting holes (as shown in the image) and tighten them evenly with a Phillips head screwdriver.

To avoid using excessive force, you can easily loosen up the three (3) M4 x 28 7984DIN screws pre-installed on the terminal, but be careful that two (2) 15 x 1 O-rings remain in their terminal slots. Also, do not forget to tighten the three (3) loosed M4 x 28 7984DIN screws back after attaching the Active Backplate.

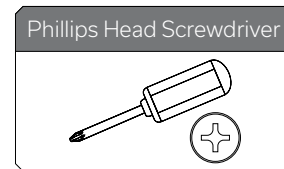
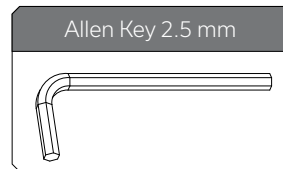
In order to ensure that the holes in the terminal and the block line up, the thermal pads near the terminal must be compressed. This can be achieved by squeezing the block and active backplate together. This will not damage the PCB as the mounted standoffs prevent contact at critical locations. This is the only way to guarantee the promised performance of the components.

Then, position the three (3) M4 x 28 7984DIN screws that were detached from the GPU water block terminal into each of the three (3) mounting holes (as shown in the image) and tighten them evenly with the provided 2.5 mm Allen Key.

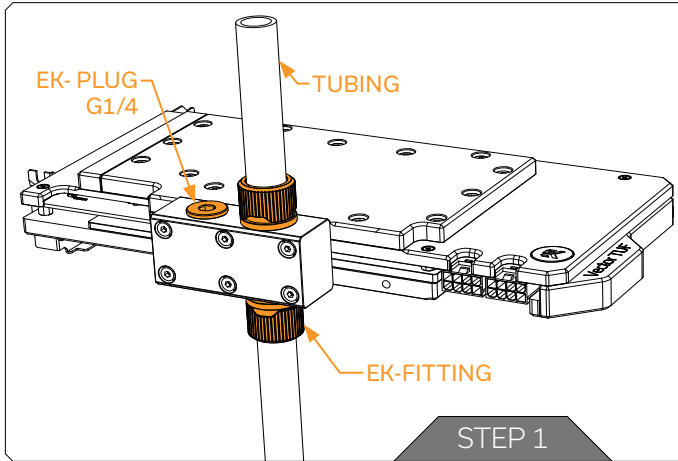
Do not use excessive force!

 CAUTION: When placing the Active Backplate on the PCB, the two inserted 15 x 1 O-rings must remain inside their STEP 5 terminal slots. Wrongly positioned O-rings can cause leaks!

For this Step, you will need:



INSTALLING FITTINGS AND TUBING



STEP 1

Screw-in two (2) G1/4 threaded male fittings. Attach liquid cooling tubes and connect the water block to the cooling loop.

The pre-mounted terminal is positioned for the optimal flow in the EK-Quantum Vector TUF RTX 3080/3090 water block and in the EK-Quantum Vector TUF RTX 3080/3090 Active Backplate. The terminal can be shifted for 180 degrees but by using it so, the inlet and outlet ports are changed.

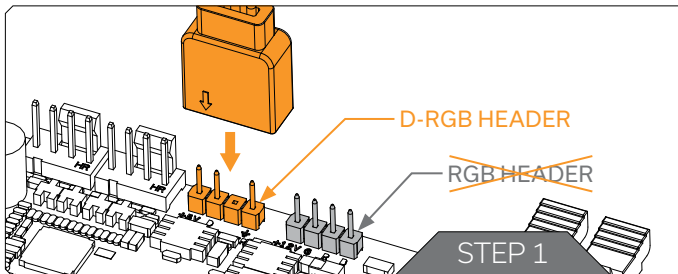
The plugged port must not be used as inlet/outlet!

EK recommends using EK fittings with all EK water blocks.



CAUTION: When using connectors other than EK fittings, pay special attention to the length of the fittings' male G1/4" thread – 5 mm is the maximum G1/4" thread length allowed!

CONNECTING THE D-RGB LED STRIP



STEP 1

Plug the **4-pin D-RGB** connector from the GPU water block to the **D-RGB Header** on your motherboard or controller. The LED strip will work only if the pin layout on the header is as follows: **+5V, Data, Empty, Ground.**



Incorrect installation or installation to a wrong header can damage the LED strip or the header itself!

SUPPORT AND SERVICE

In case you need assistance or wish to order spare parts or a new mounting mechanism, please contact:


<https://www.ekwb.com/customer-support/>

For spare parts orders, refer to the page with "TECHNICAL SPECIFICATIONS AND PRODUCT PARTS" where you can find the EAN number of each part you might need.


Include the EAN number with quantity in your request. Mounting Mechanism EAN can be found under "BOX CONTENTS"

Thermal pads are readily available in the EK shop

SOCIAL MEDIA

 EKWaterBlocks

 @EKWaterBlocks

 ekwaterblocks

 EKWBofficial

 ekwaterblocks

