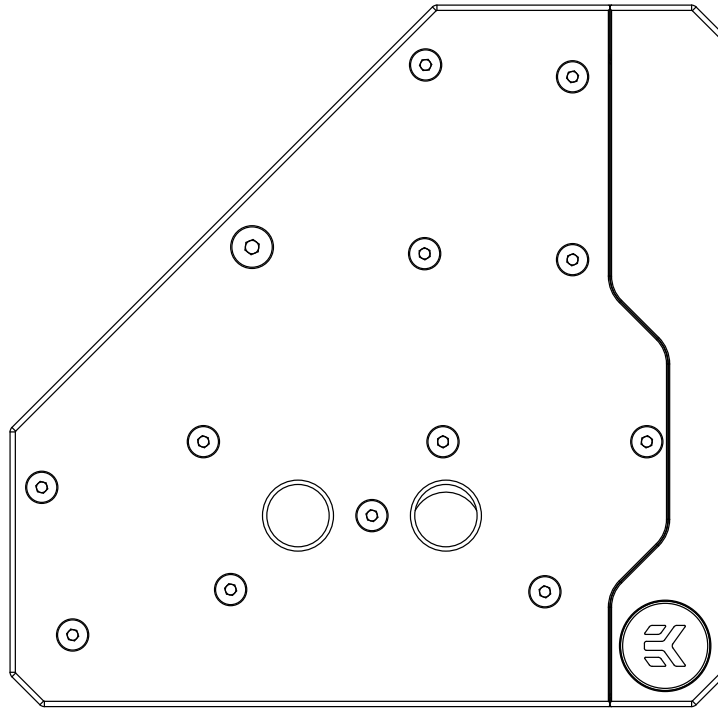


EK-Quantum Momentum VRM Bridge ROG Crosshair VIII Formula D-RGB



This product is intended for installation only by expert users. Please consult with a qualified technician for installation. Improper installation may result in damage to your equipment. EK Water Blocks assumes no liability whatsoever, expressed or implied, for the use of these products, nor their installation. The following instructions are subject to change without notice. Please visit our web site at www.ekwb.com for updates. Before installation of this product please read important notice, disclosure and warranty conditions printed on the back of the box.

Before you start using this product please follow these basic guidelines:

Please carefully read the manual thoroughly before beginning with the installation process!

Please remove your motherboard from the computer to assure safest mounting process in order to prevent any possible damages to your CPU and/or motherboard's circuit board (PCB).

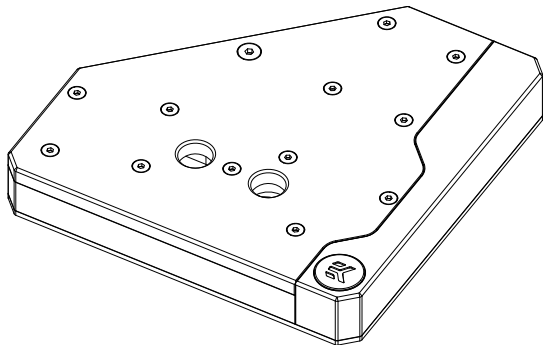
The EK- Fittings require only a small amount of force to screw them firmly in place since the liquid seal is ensured by the rubber o-ring gaskets.

The use of quality, market proved corrosion inhibiting coolants is always strongly recommended for any liquid cooling system.

TABLE OF CONTENTS

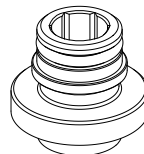
BOX CONTENTS	4
WATER BLOCK SPECIFICATIONS AND MAIN PARTS	5
INSTALLING AND ATTACHING THE WATER BLOCK	6
SUPPORT AND SERVICE	10
SOCIAL MEDIA	10

BOX CONTENTS

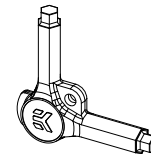


EK-Quantum Momentum VRM Bridge ROG Crosshair VIII Formula D-RGB

Universal Mounting Mechanism – You may not need all the screws, mounting mechanism is universal!



VRM Bridge Extender (4 pcs)



EK-Loop Multi Allen Key (1 pc)

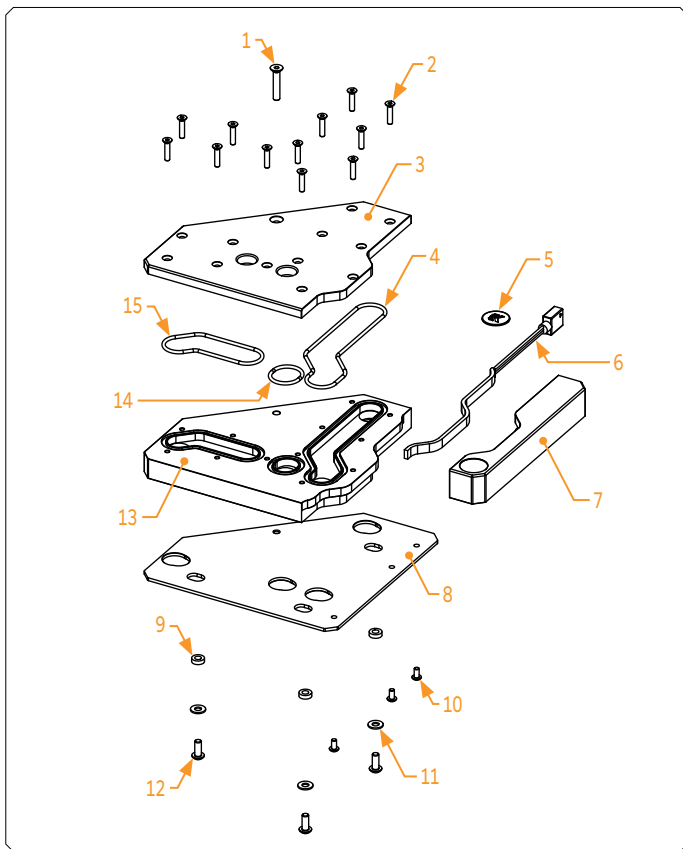


Allen Key 2.5 mm (1 pc)



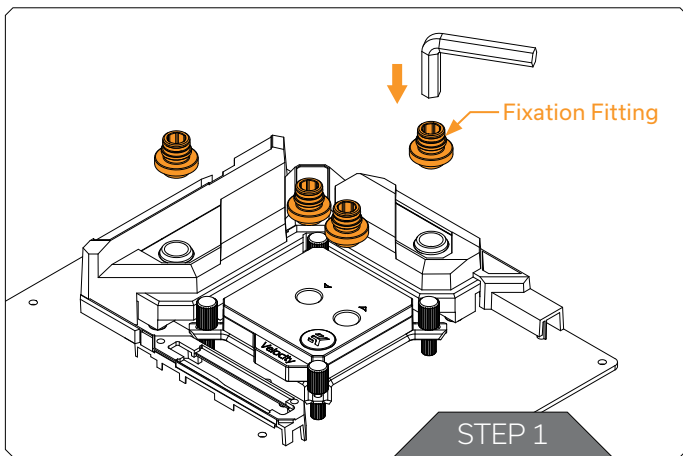
Grease (1 pc)

WATER BLOCK SPECIFICATIONS AND MAIN PARTS



Position	EAN	Description	Quantity
1	8251	M4 x 22 7991DIN Screw	1
2	8203	M3 x 14 7991DIN Screw	12
3	103781	Plexi Top plate	1
4	100508	OR 73 x 2 mm	1
5	100663	EK - Badge	1
6	100824	LED D-RGB strip	1
7	103783	Acetal Standout	1
8	103784	Fixation metal plate	1
9	8526	Acetal standoff 2.5 mm	3
10	8001	M3 x 6 ISO 7380 Screw	3
11	8603	M4 metal washer	3
12	8011	M4 x 10 ISO 7380 Screw	3
13	103782	Plexi Bottom	1
14	5167	OR 17 x 2 mm	1
15	5236	OR 46 x 2	1

INSTALLING AND ATTACHING THE WATER BLOCK

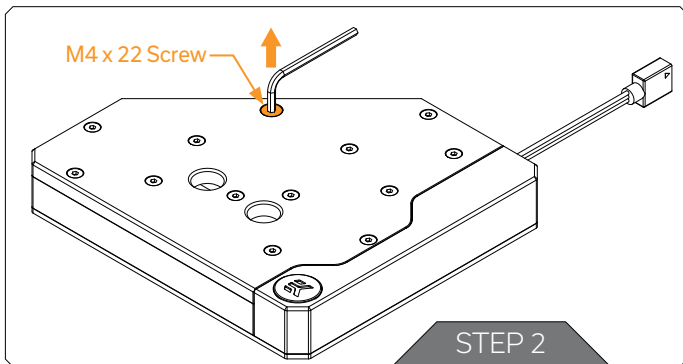


STEP 1

Install your EK-Quantum Velocity or Velocity Strike CPU water block in the illustrated orientation and place the motherboard on a secure flat surface. Using the enclosed 8mm Allen key, install all four (4) fixation fittings to the pre-installed VRM block and CPU block.

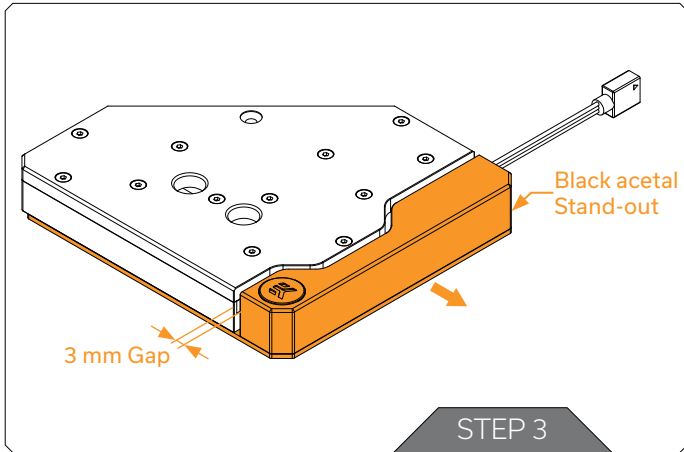


Always consult the latest available manual for CPU block installation. Do not use excessive force when tightening the fittings.



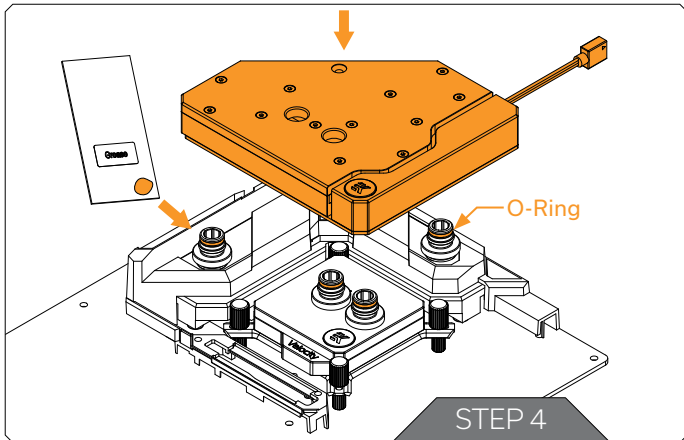
STEP 2

Unscrew the M4 x 22 screw using the enclosed 2.5mm Allen key and remove it from the block.



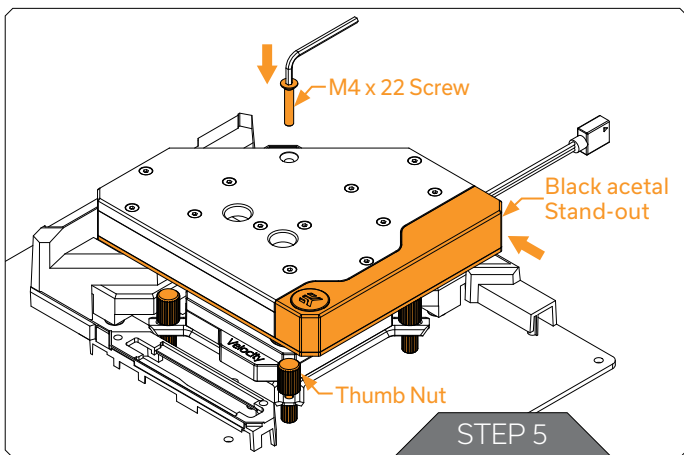
STEP 3

Slide the black acetal stand-out with stainless steel fixation plate away from the plexi components until it stops (approximately at 3 mm).



STEP 4

Before attempting to mount the water block, apply a small amount of the supplied grease to each of the four (4) O-Rings on the fixation fittings. Next, position the water block over the fixation fittings and force it into place evenly.

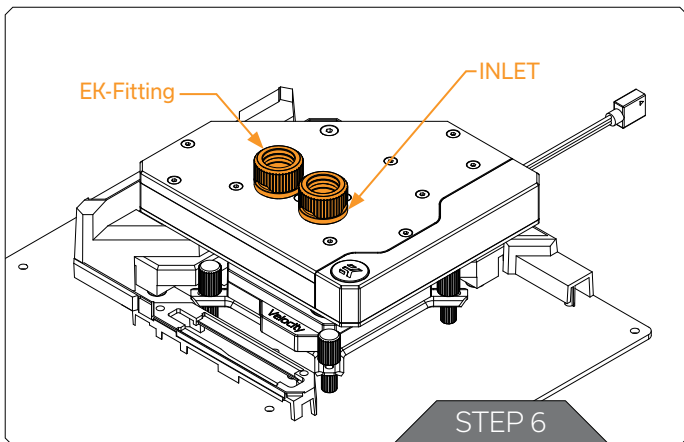


STEP 5

Push the black acetal stand-out back to its original position and screw back the M4 x 22 screw that was removed at Step 2.

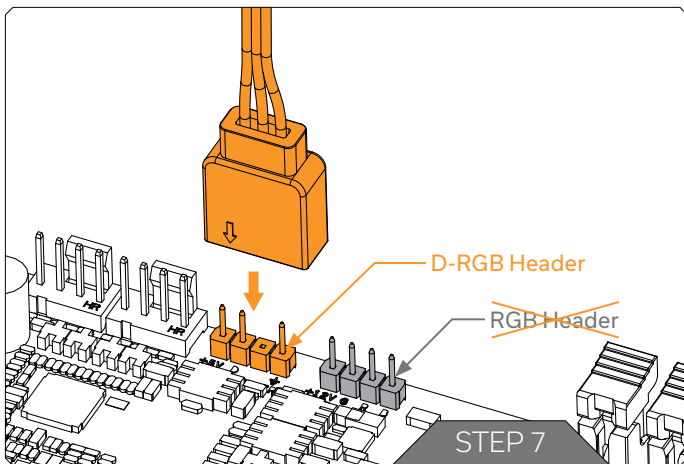


If the water block does not fit or the stand-out will not return to its original position, this could be due to the misalignment of the CPU block. Loosen the four (4) thumb nuts so that the CPU block is free to move and temporarily position the bridge block. Lastly, re-tighten the four (4) thumb nuts and start over from Step 4.



STEP 6

Install your fittings to the water block and pay attention that the inlet port is now on the right-hand side (closest to the stand-out). EK recommends the use of EK-Quantum Torque fittings.



STEP 7

Plug the 4-pin D-RGB connector from the bridge block in a D-RGB header on your motherboard or controller. The LED strip will only work if the pin layout on the header is as follows: **+5V**, Digital, Empty, Ground.



Incorrect installation or installation to the incorrect header could result in damage to the LED strip or the header itself.


SUPPORT AND SERVICE


For assistance please contact:


<http://support.ekwb.com/>

EKWB d.o.o.
Pod lipami 18
1218 Komenda
Slovenia - EU


SOCIAL MEDIA

 EKWaterBlocks

 @EKWaterBlocks

 ekwaterblocks

 EKWBofficial

 ekwaterblocks

