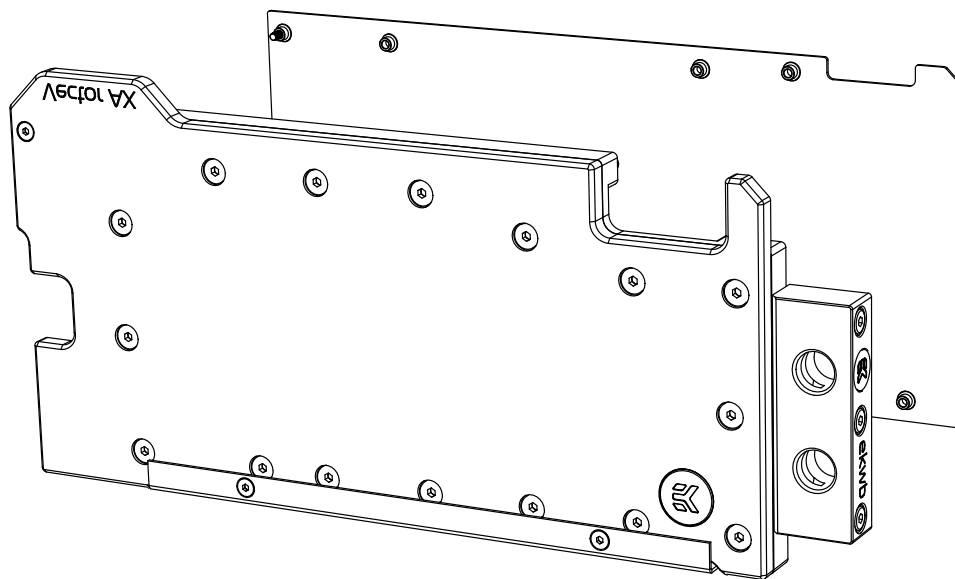




FLUID
GAMING

EK-AC TUF RTX 3060/3060Ti/3070 D-RGB + Backplate





Before you start using this product, please follow these basic guidelines:

Carefully read the manual before beginning with the installation process.

Remove your graphics card from the computer for the safest mounting process to prevent any possible damage to your GPU or its circuit board (PCB).

EK Fittings require only a small amount of force to screw them firmly in place since the liquid seal is ensured with the rubber O-ring gaskets.

The use of quality market-proven corrosion-inhibiting coolants is always strongly recommended for any liquid cooling system.

Do not use pure distilled water as a cooling liquid! For best results, EK recommends the use of EK-CryoFuel Coolants.

Make sure to bleed air out of your water block thoroughly in order to reach optimal performance



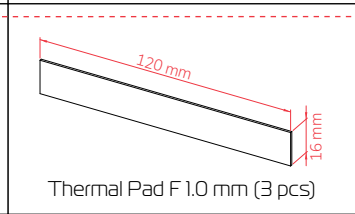
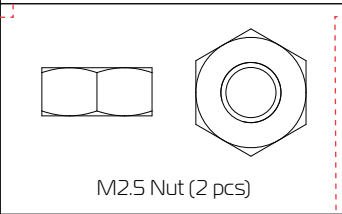
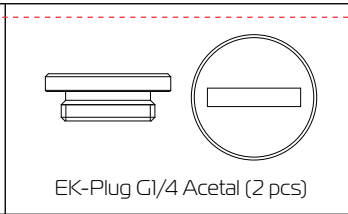
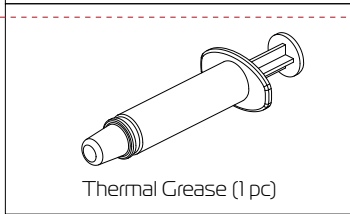
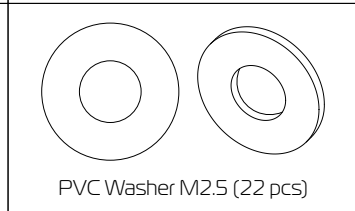
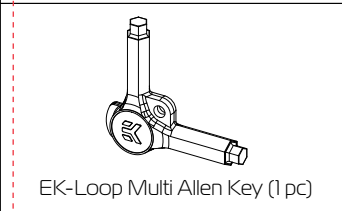
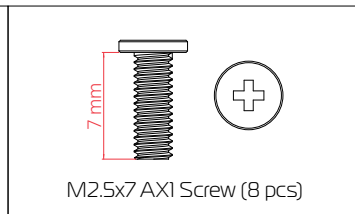
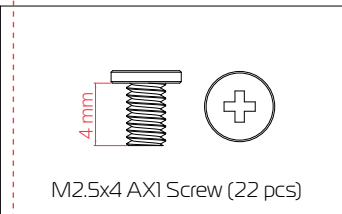
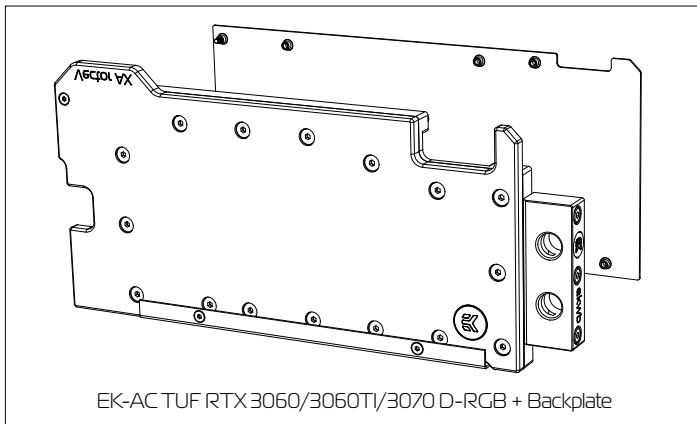
This product is made from aluminum and can be only used with other aluminum liquid cooling components, such as AI fittings, water blocks and radiators. Mixing aluminum with copper and brass products can cause galvanic corrosion of the metal and render liquid cooling equipment useless. Such misuse is not covered by warranty.

TABLE OF CONTENTS

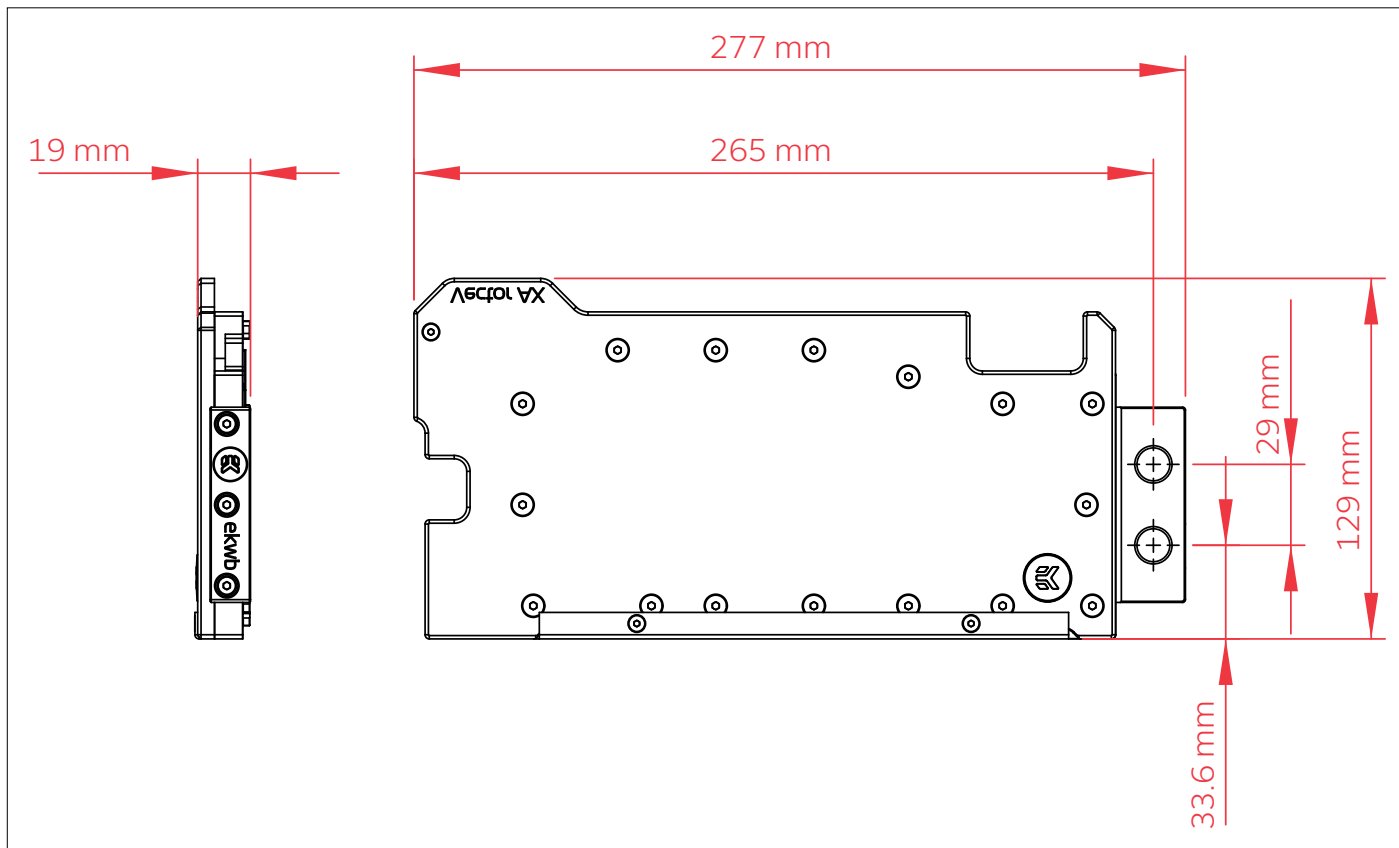
BOX CONTENTS	4
WATER BLOCK DIMENSIONS	5
TECHNICAL SPECIFICATIONS AND WATER BLOCK PARTS	6
PREPARING YOUR GRAPHICS CARD	7
REMOVING THE STOCK COOLER	7
CLEANING THE PCB	7
CUTTING AND PLACING THERMAL PADS	8
APPLYING THERMAL COMPOUND	10
INSTALLING THE WATER BLOCK	11
PLACING THE BLOCK ON THE GRAPHICS CARD	11
ATTACHING THE BLOCK TO THE GRAPHICS CARD	11
INSTALLING THE BACKPLATE	12
BACKPLATE DIMENSIONS	12
REQUIRED TOOLS	12
ATTACHING THE BACKPLATE	13
INSERTING THE GRAPHICS CARD INTO THE CHASSIS	14
INSTALLATION OF FITTINGS AND TUBING	14
CONNECTING THE D-RGB LED STRIP	15
TESTING THE LOOP	15
CHECKING THE CONTACT IN CASE OF HIGH TEMPERATURES	16
SUPPORT AND SERVICE	17
SOCIAL MEDIA	17

BOX CONTENTS

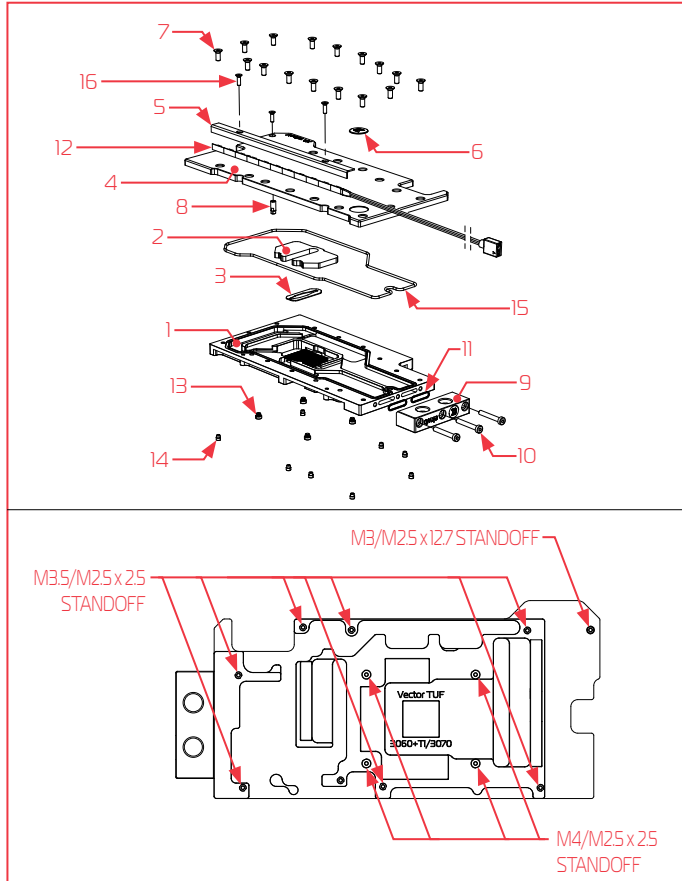
Universal Mounting Mechanism – You may not need every screw from this package. EAN: 3831109836354



WATER BLOCK DIMENSIONS



TECHNICAL SPECIFICATIONS AND WATER BLOCK PARTS



Technical Specification:

- Dimensions (L x H x W): 277 x 129 x 19 mm
- D-RGB (Addressable RGB) Cable - Length: 500 mm
- D-RGB LED Count: 11
- D-RGB Connector: Standard 3-Pin (+5V, Data, Blocked, Ground)

Position	EAN	Description	Quantity
1	103792	COLDPLATE	1
2	103363	PLEXI INSERT	1
3	102210	JET PLATE	1
4	103791	TOP PLATE	1
5	103589	LED COVER	1
6	4569	ALU - EK Badge	1
7	8205	M4 x 10 DIN7991 SCREW	16
8	102932	STANDOFF M3/M2.5 x 12.7	1
9	3397	FC TERMINAL	1
10	100006	M4 x 27 DIN7984 SCREW	3
11	5155	OR 15 x 1 EPDM50 (FC Terminal)	2
12	100824	D-RGB LED	1
13	8533	M4/M2.5 x 2.5 STANDOFF	4
14	102696	M3.5/M2.5 x 2.5 STANDOFF	8
15	5212	MAIN O-RING 175 x 2 mm	1
16	8201	M3 x 10 DIN7991 SCREW	3

STEP 1

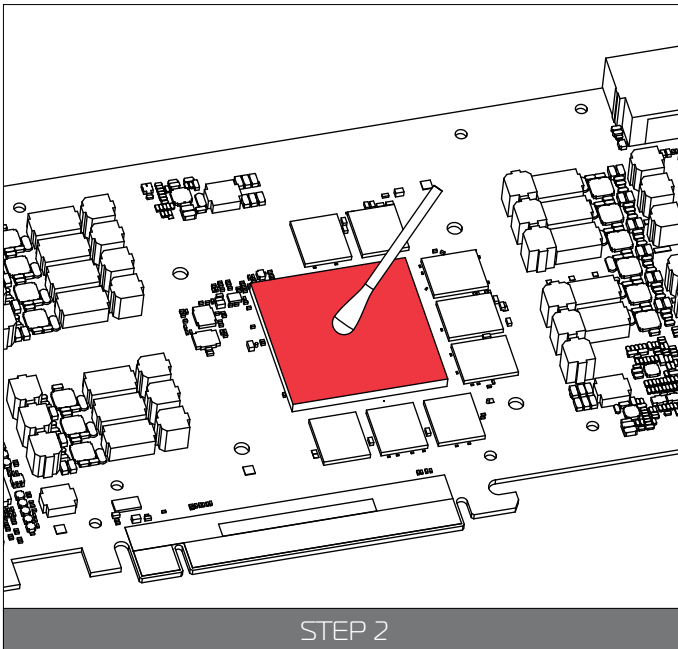
REMOVING THE STOCK COOLER

Place your graphics card on the flat surface and carefully remove the stock cooler. Do not forget to unplug all the LED and fan connectors.

STEP 2

CLEANING THE PCB

Wipe off the remains of the original thermal compound using a nonabrasive cloth or Q-tip, as shown in the sample image, until the components and circuit board are completely clean. EK recommends the use of denatured alcohol for removing TIM leftovers.



CUTTING AND PLACING THERMAL PADS

Thermal Pad F – 1.0 mm (120 x 16 mm)



STEP 1

STEP 1

Your GPU water block comes with thermal pads that have to be cut into smaller pieces to cover all the VRM components, such as COILS, MOSFETs, and drivers.



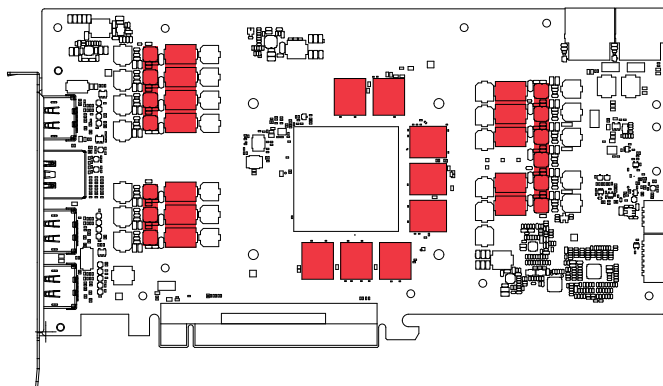
You must remove the protective foil from both sides of the thermal pad before installation.

Replacement thermal pads:

3x Thermal Pad F 1.0 mm – (120 x 16 mm) EAN: 3830046996732

RTX 3070

Thermal pad F – 1.0 mm



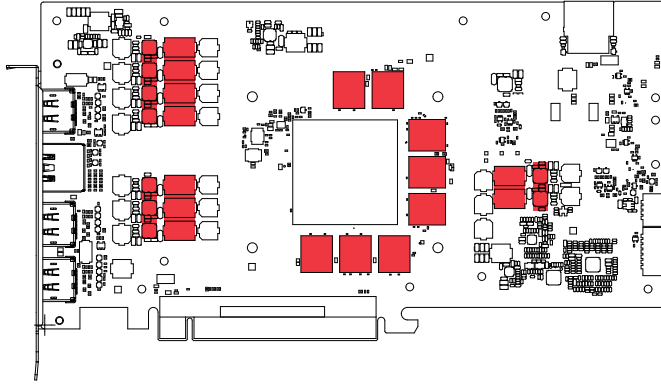
STEP 2

STEP 2

Once cut to size, thermal pads should be placed on the PCB, as illustrated. EK made sure to provide you with more than an adequate quantity of thermal pads to complete this Step.

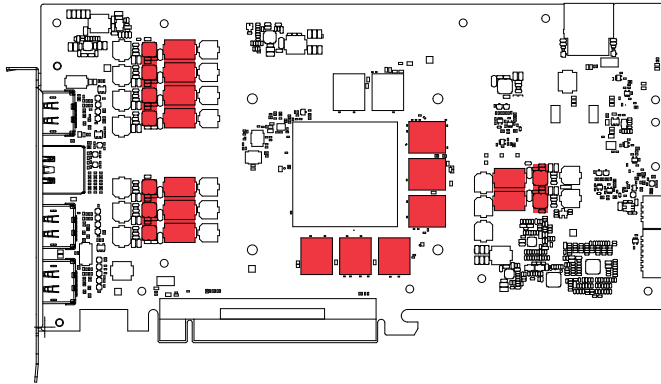
RTX 3060 Ti

Thermal pad F - 1.0 mm



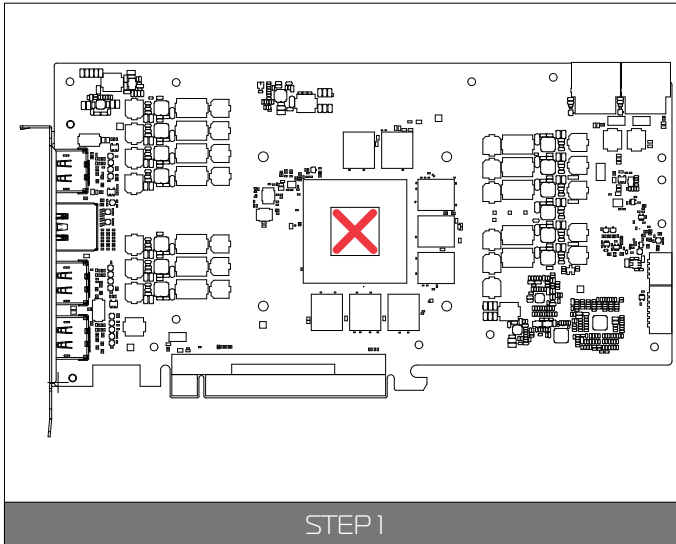
RTX 3060

Thermal pad F - 1.0 mm



STEP 2

APPLYING THERMAL COMPOUND



STEP 1

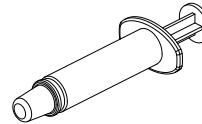
Apply the enclosed EK-TIM Ectotherm thermal grease (thermal compound) on the CPU heat spreader – IHS – as shown in the image. The layer of the thermal compound must be thin and even over the entire surface of the IHS.



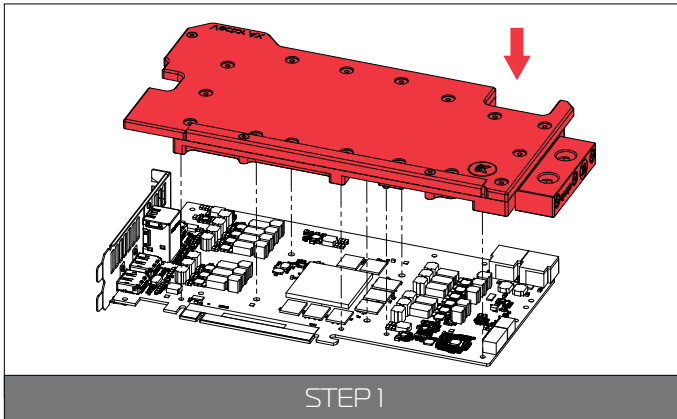
The excessive or uneven application of thermal grease may lead to poor performance!

For this Step, you will need:

Thermal Grease



INSTALLING THE WATER BLOCK



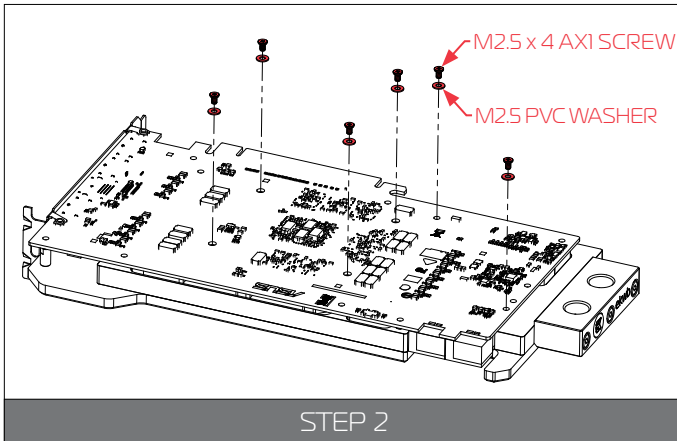
STEP 1 PLACING THE BLOCK ON THE GRAPHICS CARD

This procedure is the same for all full-cover water blocks.

Carefully position the water block with preinstalled standoffs on the graphics card. During this process, make sure you have aligned mounting holes of the PCB with holes of the water block (same applies to other tops).



Pay attention not to use too much force when pressing the block down to the PCB since chip dies are prone to cracking.



STEP 2 ATTACHING THE BLOCK TO THE GRAPHICS CARD

Use six (6) M2.5 x 4 AXI screws and M2.5 PVC washers. Tighten the screws evenly using the Phillips head screwdriver. EK recommends you start tightening the screws around the GPU core first, and then continuing outward to prevent the damage to the GPU.

For this Step, you will need:

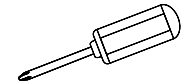
M2.5 x 4 AXI
(6 pcs)



M 2.5 PVC Washer
(6 pcs)

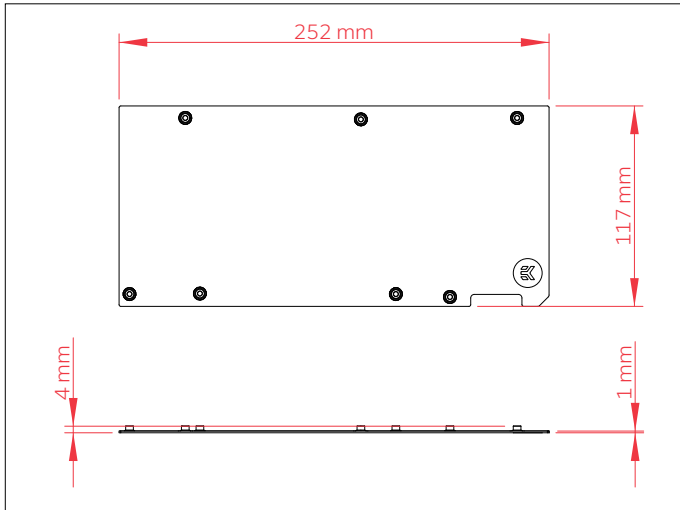


Phillips Head
Screwdriver

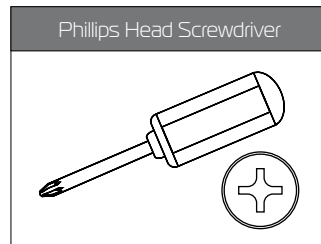


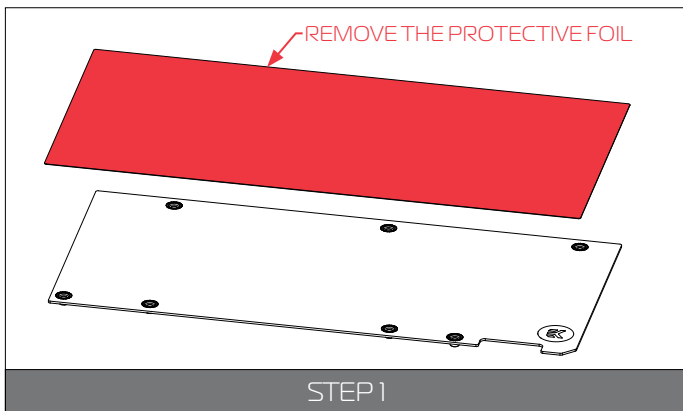
INSTALLING THE BACKPLATE

BACKPLATE DIMENSIONS



REQUIRED TOOLS

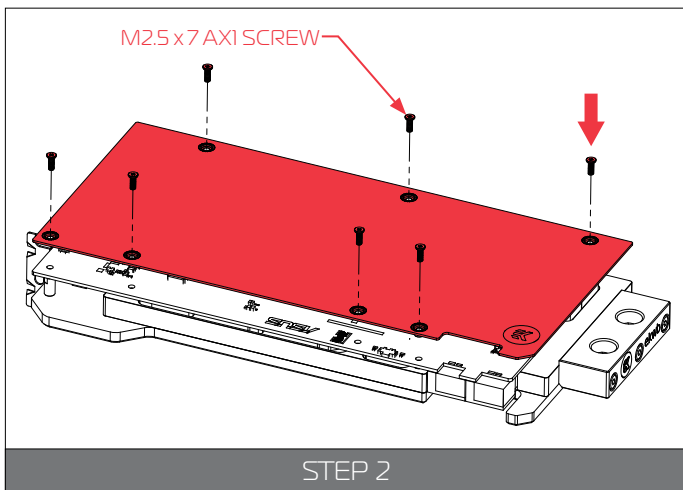




ATTACHING THE BACKPLATE

STEP 1

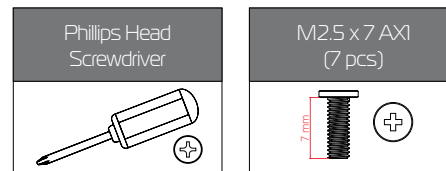
You must remove the protective foil from the top side before installation!



STEP 2

Place the backplate on the PCB and make sure all holes are aligned. Position an M2.5 x 7 AXI screw in each of the seven (7) mounting holes (as shown in the image) and tighten them evenly with a Phillips head screwdriver. **Do not use excessive force!**

For this Step, you will need:



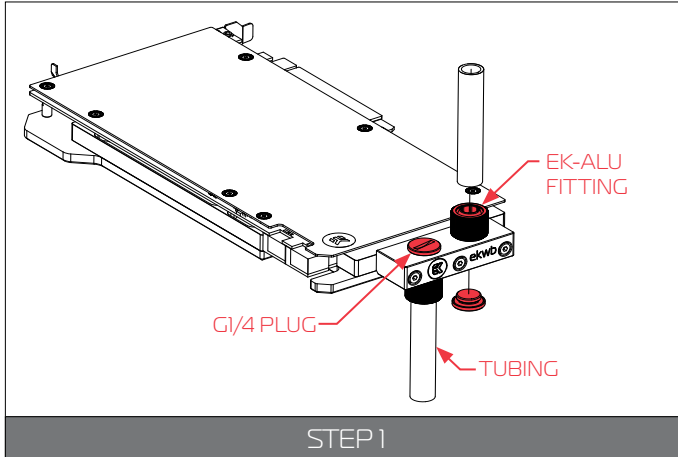
INSERTING THE GRAPHICS CARD INTO THE CHASSIS

Carefully lift your graphics card with the installed water block and insert it into your PC's motherboard PCIe express expansion slot. Please keep in mind that your graphics card is heavier than before it was equipped with the water block.



You need to be very careful when handling the graphics card. Avoid all unnecessary manipulation of the water block assembly that might damage your card or water block.

INSTALLATION OF FITTINGS AND TUBING



STEP 1

Screw in two (2) G1/4 threaded male fittings. Attach the liquid cooling tubes and connect the water block(s) to the cooling loop.



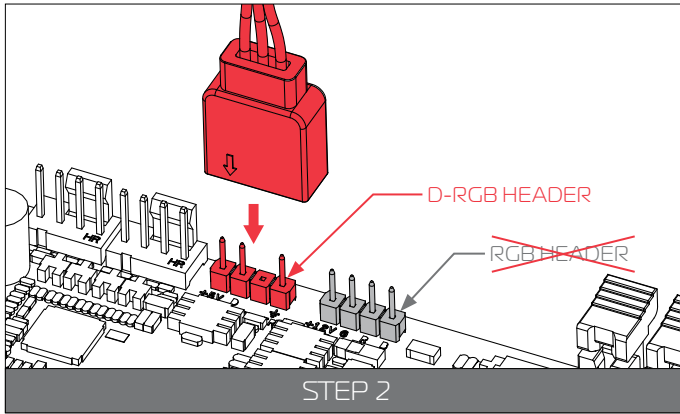
Do not forget to plug the remaining two openings with enclosed EK-Plug G1/4 or its equivalent.

EK recommends using EK- fittings with all EK water blocks.



CAUTION: When using connectors other than EK-ALU fittings, pay special attention to the length of the fittings male G1/4" thread - 5mm is the maximum G1/4" thread length allowed!

CONNECTING THE D-RGB LED STRIP



STEP 1

Plug the **4-pin D-RGB** connector from the GPU water block to the **D-RGB Header** on your motherboard or controller. The LED strip will work only if the pin layout on the header is as follows: **+5V, Data, Empty, Ground**.



Incorrect installation or installation to a wrong header can damage to the LED strip or the header itself!

TESTING THE LOOP

To make sure the installation of EK components was successful, we recommend you perform a 24-hour leak test.

When your loop is complete and filled with coolant, connect the pump to a PSU outside of your system. Do not connect power to any of the other components. Turn on the PSU and let the pump run continuously.

Inspect all parts of the loop, and in case the coolant leaks, fix the issue and repeat the testing process. To prevent possible damage, please ensure that all hardware is dry before the system is powered on.

CHECKING THE CONTACT IN CASE OF HIGH TEMPERATURES

If necessary, temporarily remove the water block to check for uniform surface contact between the block and components. Pay special attention to the VRM section of the graphics card. Check whether the water block makes contact with the intended integrated circuit. Then repeat Steps from the previous section to re-attach the block.



In case you fail to obtain good contact, please check again or contact our support service at <https://www.ekwb.com/customer-support/>.

SUPPORT AND SERVICE

In case you need assistance or wish to order spare parts or a new mounting mechanism, please contact: <https://www.ekwb.com/customer-support/>

For spare parts orders, refer to the page with "TECHNICAL SPECIFICATIONS AND WATER BLOCK PARTS" where you can find the EAN number of each part you might need.

Include the EAN number with quantity in your request. Mounting Mechanism EAN can be found under "BOX CONTENTS"

Thermal pads are readily available in the EK shop

SOCIAL MEDIA

 EKWaterBlocks

 @EKWaterBlocks

 ekwaterblocks

 EKWBofficial

 ekwaterblocks

