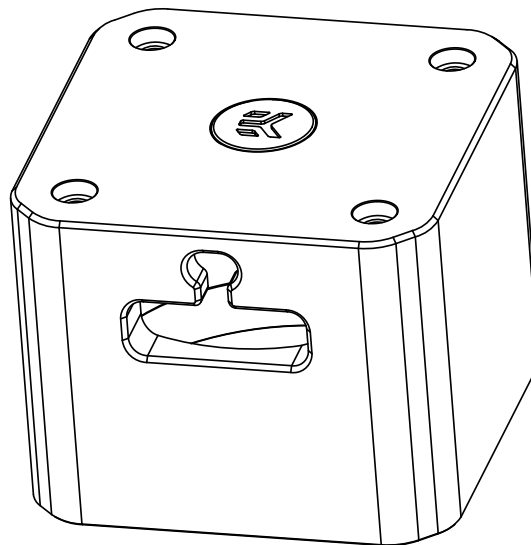
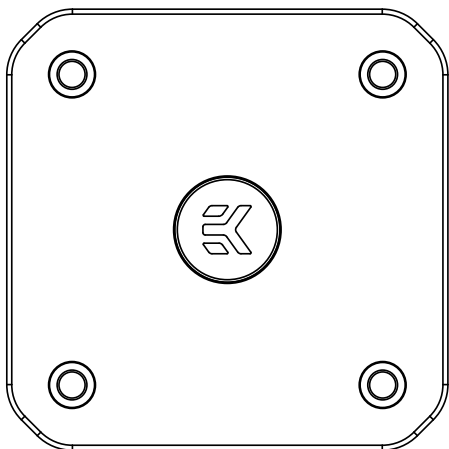


# EK-Quantum Convection D5



This product is intended for installation only by expert users. Please consult with a qualified technician for installation. Improper installation may result in damage to your equipment. EK Water Blocks assumes no liability whatsoever, expressed or implied, for the use of these products, nor their installation. The following instructions are subject to change without notice. Please visit our website at [www.ekwb.com](http://www.ekwb.com) for updates. Before installation of this product please read important notice, disclosure, and warranty conditions printed on the back of the box.

Before you start using this product, please follow these basic guidelines:

**Carefully read the manual before beginning the installation process.**

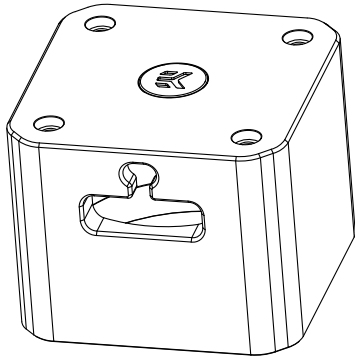
**The use of quality market-proven corrosion-inhibiting coolants is always strongly recommended for any liquid cooling system.**

**Do not use pure distilled water as a cooling liquid! For best results, EK recommends the use of EK-CryoFuel Coolants.**

# TABLE OF CONTENTS

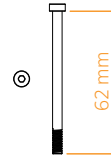
<b>BOX CONTENTS</b> .....	<b>4</b>
<b>REQUIRED TOOLS</b> .....	<b>4</b>
<b>D5 COVER DIMENSIONS</b> .....	<b>5</b>
<b>MAIN PARTS</b> .....	<b>6</b>
<b>PREPARING THE PUMP</b> .....	<b>7</b>
<b>ATTACHING THE PUMP COVER</b> .....	<b>8</b>
<b>SUPPORT AND SERVICE</b> .....	<b>9</b>
<b>SOCIAL MEDIA</b> .....	<b>9</b>

## BOX CONTENTS



D5 Pump cover (1 pc)

**Mounting Mechanism** – You may not need all the screws, mounting mechanism is universal!



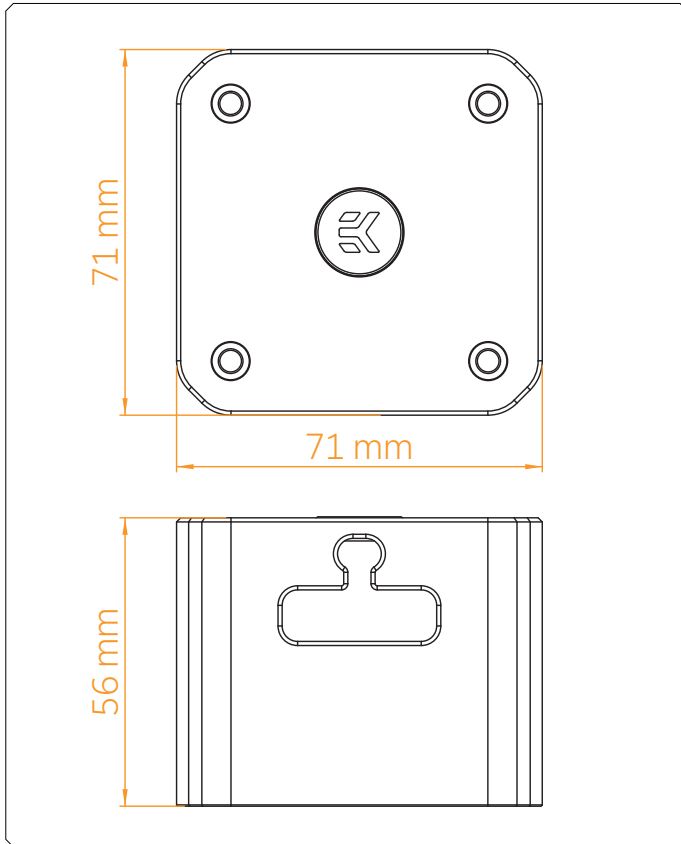
Screw M4x62 (4 pcs)

## REQUIRED TOOLS

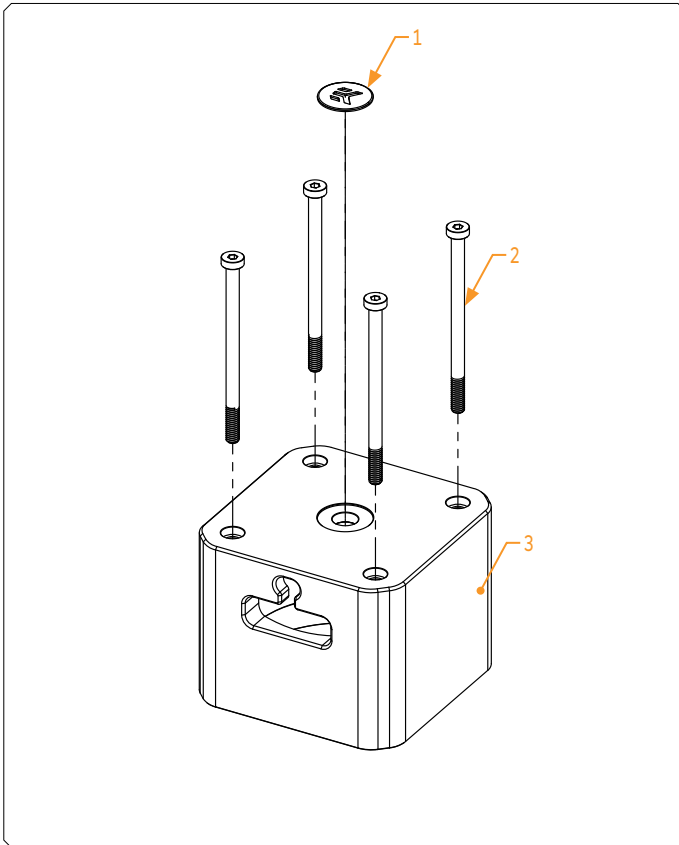
Allen Key 2.5. mm



## D5 COVER DIMENSIONS

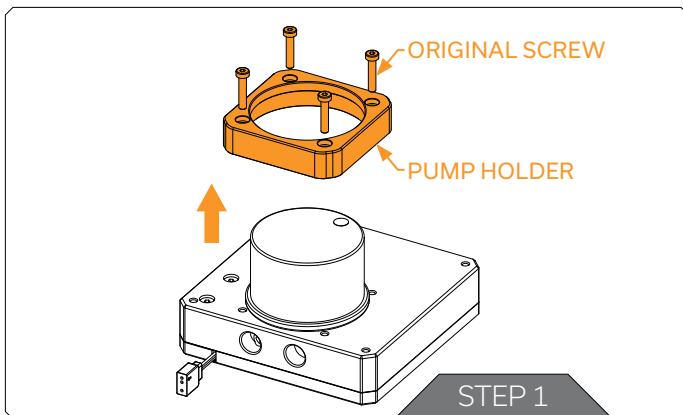


## MAIN PARTS



Position	EAN	Description	Quantity
1	100663	EK Badge	1
2	103312	D5 Cover Screw M4x62 - Black Chrome	4
	103313	D5 Cover Screw M4x62 - Nickel	
	105360	D5 Cover Screw M4x62 - Gold	
3	103314	D5 pump Cover - Black	1
	103315	D5 pump cover - Nickel	
	103571	D5 pump Cover - Silver	
	105058	D5 pump Cover - Gold	

## PREPARING THE PUMP

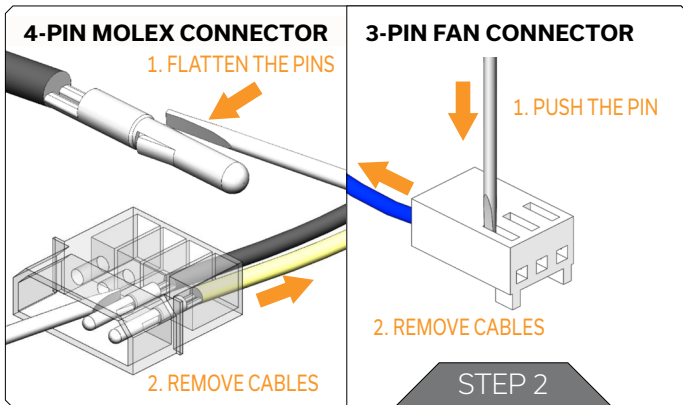


### STEP 1

Unscrew the four (4) marked screws and remove the original pump holder. Store the holder and screws for possible reuse without D5 Cover.



If the reservoir is already filled with coolant, drain it before EK-Quantum Convection cover installation.



### STEP 2

#### UNINSTALLING MOLEX CONNECTOR\*

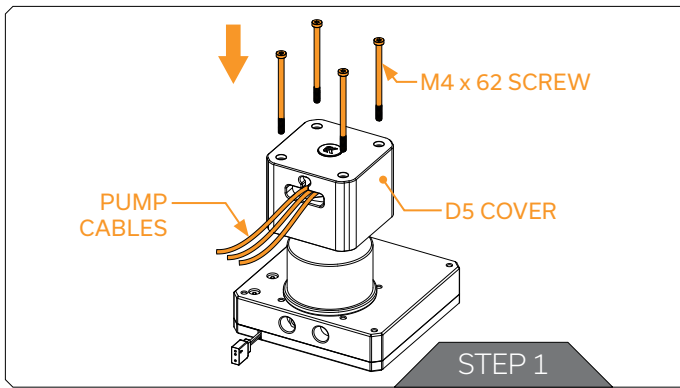
##### 4-PIN MOLEX CONNECTOR

1. Flatten the pins in Molex connector
2. Remove Cables from Molex connector

##### 3-PIN FAN CONNECTOR

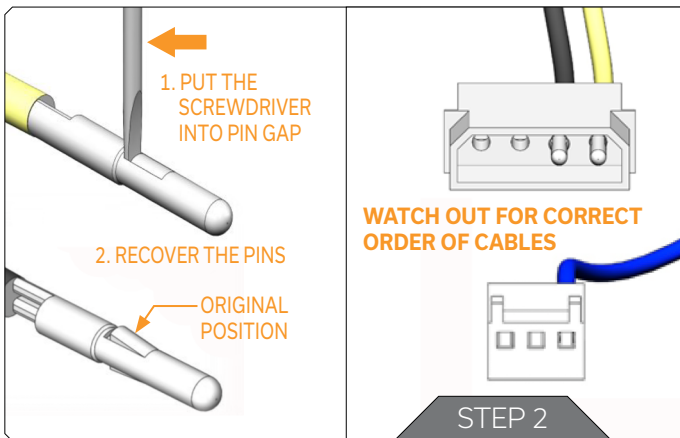
1. Push the pin on fan connector with screwdriver
2. Remove the cable

## ATTACHING THE PUMP COVER



### STEP 1

Insert the pump cables through D5 Pump cover and place the cover over D5 pump. Make sure that holes are aligned. Secure the D5 Pump cover using M4 x 62 mm screws and 2.5 mm Allen Key. Do not use excessive force while tightening the screws!



### STEP 2

#### INSTALLING THE MOLEX CONNECTOR

1. Put the screwdriver into pin gap in Molex connector
2. Recover flattered pin into original position
3. Put cables back to Molex connector and fan connector(Watch out for correct order of cables)



## SUPPORT AND SERVICE

In case you need assistance or wish to order spare parts or a new mounting mechanism, please contact:


**<https://www.ekwb.com/customer-support/>**

For spare parts orders, refer to the page with "MAIN PARTS" where you can find the EAN number of each part you might need. Include the EAN number with quantity in your request.


Mounting Mechanism EAN can be found under "BOX CONTENTS".

Thermal pads are readily available in the EK shop.


## SOCIAL MEDIA

 EKWaterBlocks

 @EKWaterBlocks

 ekwaterblocks

 EKWBofficial

 ekwaterblocks

