

Installation and mounting manual for EK-XRES Glass Revo D5 Series Reservoir

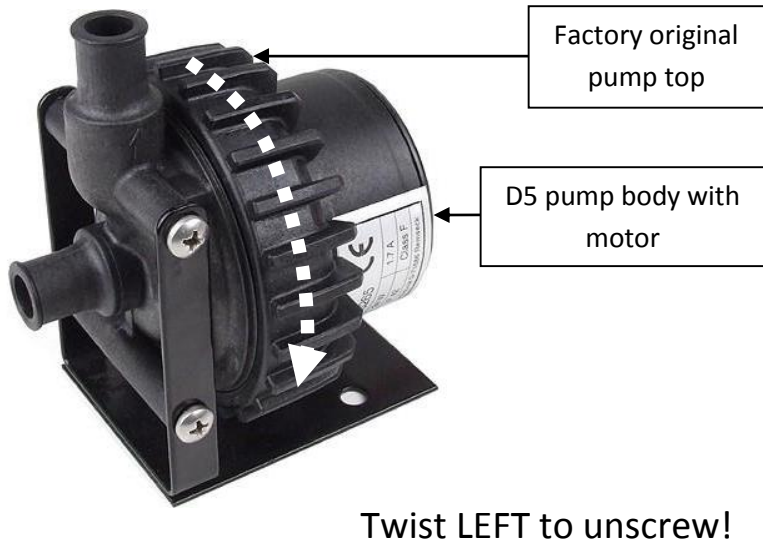
This product is intended for installation only by expert users. Please consult with a qualified technician for installation. Improper installation may result in damage to your equipment. EK Water Blocks assumes no liability whatsoever, expressed or implied, for the use of these products, nor their installation. The following instructions are subject to change without notice. Please visit our web site at www.ekwb.com for updates. Before installation of this product please read important notice, disclosure and warranty conditions printed on the back of the box.

Before you start using this product please follow these basic guidelines:

1. **Please carefully read the manual before through before beginning with the installation process!**
2. **The EK-HFB and EK-ACF type fittings require only a small amount of force to screw them firmly in place since the liquid seal is ensured by the rubber o-ring gaskets.**
3. **The use of corrosion inhibiting coolants is always recommended for any liquid cooling system.**

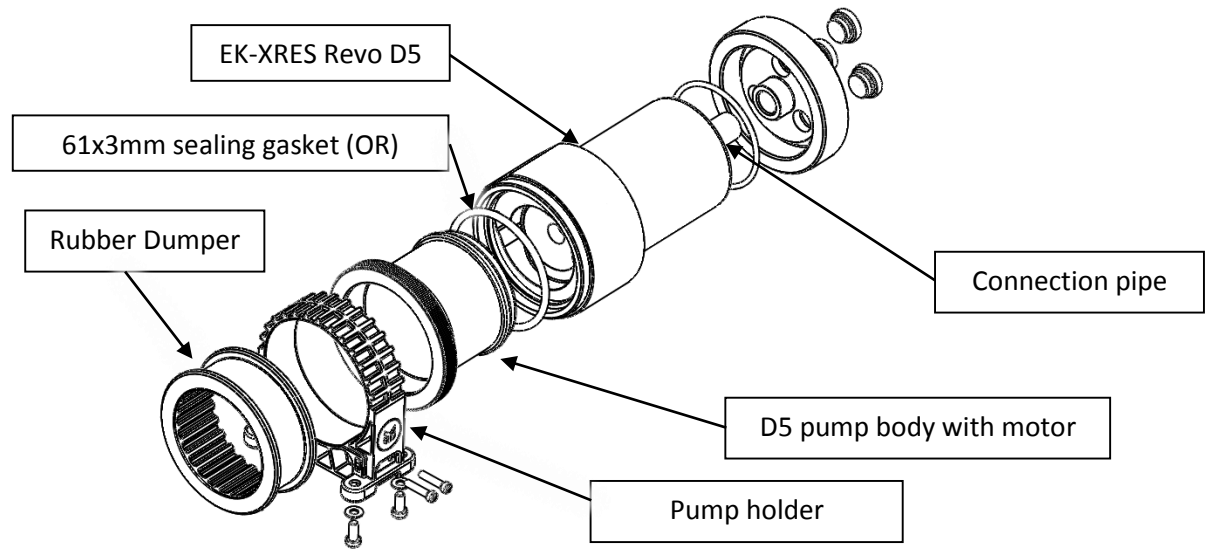
STEP 1: PREPARING THE PUMP (already done by EK)

Unscrew the ribbed threaded ring that attaches the Laing pump's original factory top and the main pump core housing with motor. Store the original top, the original o-ring gasket and the attaching ring in a safe place.



STEP 2: INSTALLING THE XRES D5 (already done by EK)

1. Install the EK-XRES Glass Revo D5 (incl. pump) on to the pump main motor housing. **Make sure you install EK provided 61x3mm o-ring gasket!** Reseat the gasket if needed. You can rotate the pump and use it in any direction except upside-down to best suit your installation.
2. Secure the EK-XRES Glass Revo D5 using enclosed M74 Nut.



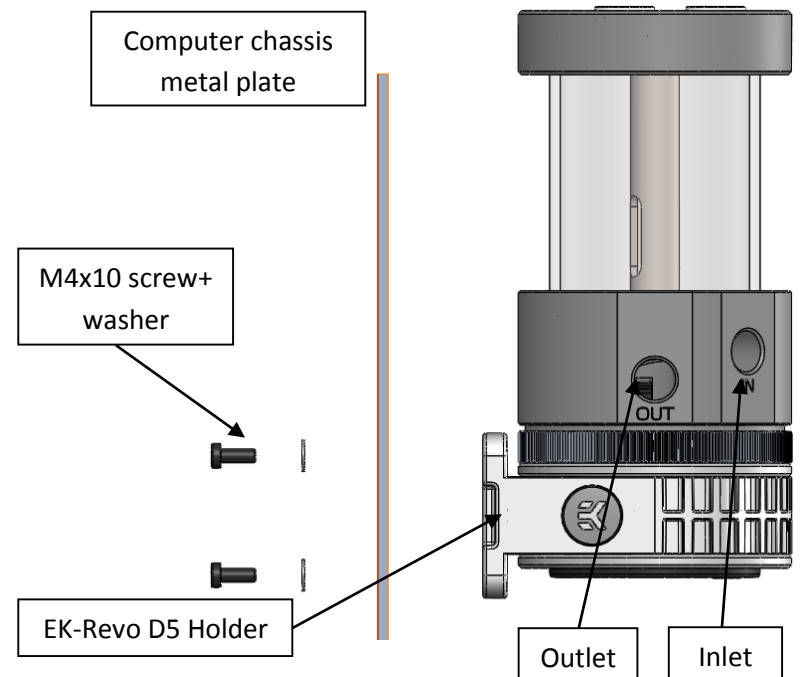
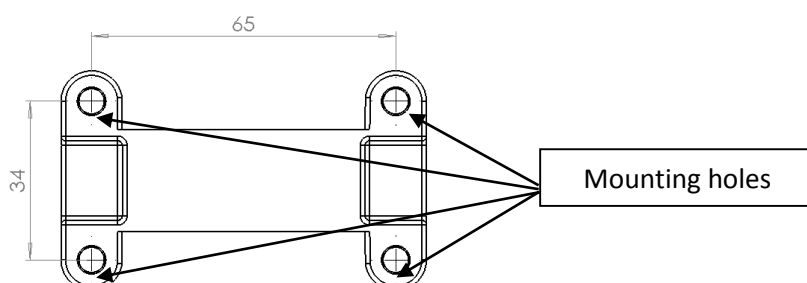
(this paragraph is intentionally left blank)

STEP 3: MOUNT THE EK-XRES 100 Revo D5 RESERVOIR INTO THE COMPUTER CHASSIS

By default the EK-XRES Revo D5 ships with EK-Revo D5 Holder. This holder is meant to be installed directly on the computer chassis. User may need to drill 4 (four) $\Phi 5$ mm (enclosed sticker with designated holes) holes through chassis metal using electric power drill if there are no appropriate mounting holes available. EK recommends users to find an appropriate position in your computer chassis to install the EK-XRES Revo D5 pump assembly.

To successfully install the EK-XRES Revo D5 pump/reservoir assembly please complete the following steps:

1. Find an appropriate position for the unit inside (or perhaps outside) of your computer chassis; drill mounting holes if needed. Before drilling stick enclosed sticker to the Computer chassis.
2. Attach the EK-Revo D5 Holder to the computer chassis metal frame using enclosed 4 (four) M4x10 DIN7984 screws and PVC washers. Secure the screws using enclosed Allen key 2.5mm..
3. Insert the rubber dumper into the EK-Revo D5 Holder. Insert the pump into the dumper. And secure side two M3 DIN7984 screws with enclosed 2mm Allen key. Your installation is now complete.



STEP 4: ATTACHING FITTINGS

EK-XRES Glass Revo D5 PWM (incl. pump) series reservoir pump combo featured 2 (two) G1/4 threaded ports on the main body of which 1 (one) is inlet and other is outlet. Reservoir has 3 (three) options for inlet port one is on the main body near outlet port and three are placed on reservoir top. EKWB recommends using EK-ACF fittings with the EK-XRES Glass Revo D5 PWM series reservoir pump combo units. To ensure that the tubes are securely attached to the barb/fittings, please use hose clamps or an appropriate substitute.

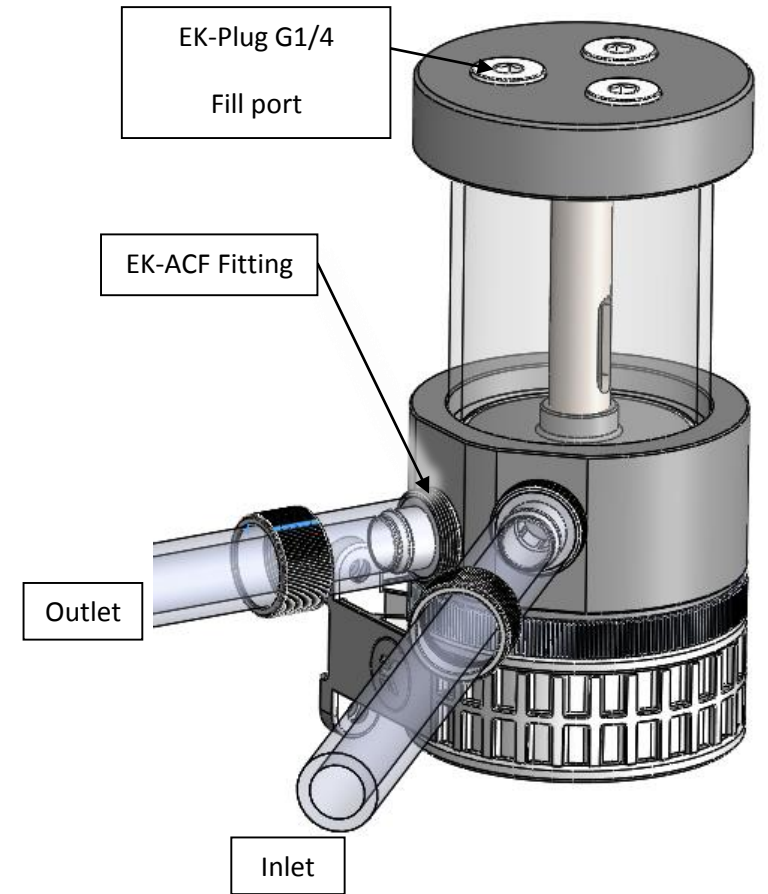
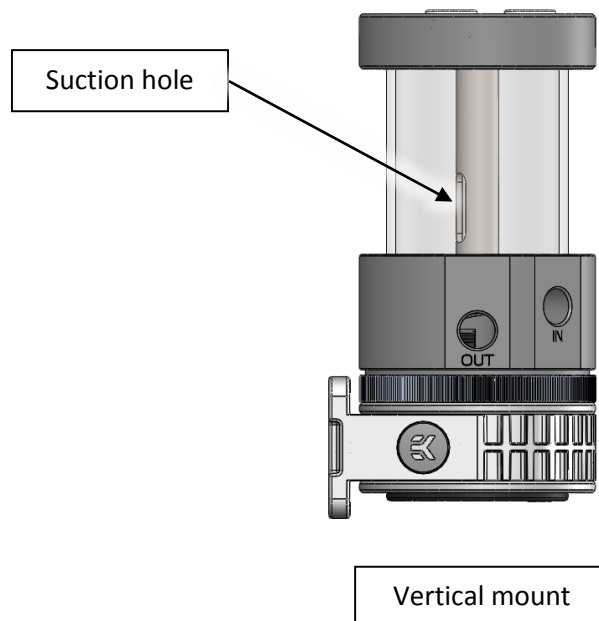
It is mandatory to use the correct INLET and OUTLET ports:

1. The OUTLET port (pressure port) is, when the reservoir sits in upright position
2. The INLET port(s) (suction port) are the port with G1/4 threading plane.
3. Make sure not to use fittings or barbs with G1/4 thread longer than 5mm! All *EK-ACF*, *EK-HDC* fittings are compatible!

TIP:

If INLET port is chosen to be on reservoir top part, install EK Extender G1/4 before installing EK-ACF or EK-HDC fitting.

To fill the reservoir use one of three fill ports on the top of the reservoir!
When the pump is mounted make sure that water line is at least 10mm above suction holes which are located on the center connection pipe.



IMPORTANT DISCLOSURES:

VERY IMPORTANT NOTICE: Once the installation is completed, it is a recommended practice to test the cooling circuit for leaks prior to powering up the computer. We recommend a 24 hour leak test prior to powering up the computer. Do not test the water block using tap water pressure. This will rupture the top of the housing and render the block unusable (and will void your warranty). While all efforts have been made to provide the most comprehensive tutorial possible, EK Water Blocks assumes no liability expressed or implied for any consequential damage(s) occurring to your equipment as a result of using EK Water Blocks cooling products, either due to errors or omissions on our part in the above instructions, or due to failure or defect in the EK Water Blocks cooling products.

WARRANTY:Our products are warranted against defects in materials or workmanship for a period of 24 months beginning from the date of delivery to the final user. During this period, products will be repaired or have parts replaced at our discretion provided that: (I) the product is returned to the agent from whom it was purchased; (II) the product has been purchased by an end user and has not used for commercial purposes; (III) the product has not been misused, handled carelessly, or used in a manner other than in accordance with the instructions provided describing its installation and proper use. This warranty does not confer rights other than those expressly set out above and does not cover any claims for consequential loss or damage. This warranty is offered as an extra benefit and does not affect your statutory rights as a consumer. This warranty is voided if the product comes in contact with aggressive additives or other improper liquids.

Any other RMA issues can be reported to <http://www.ekwb.com/support> for further analysis.

(this paragraph is intentionally left blank)

REQUIRED TOOLS: Allen key 2.5mm, allen key 2mm and allen key 6mm (are enclosed)



power drill with 4,5mm drill bit or equivalent (optional)