

This product is intended for installation only by expert users. Please consult with a qualified technician for installation. Improper installation may result in damage to your equipment. EK Water Blocks assumes no liability whatsoever, expressed or implied, for the use of these products, nor their installation. The following instructions are subject to change without notice. Please visit our web site at www.ekwb.com for updates. Before installation of this product please read important notice, disclosure and warranty conditions printed on the back of the box.

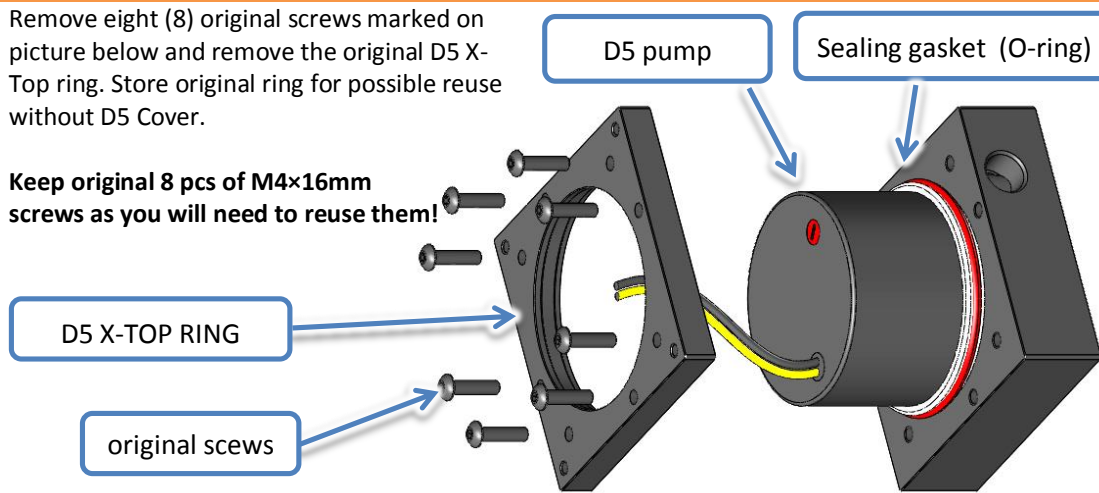
Before you start using this product please follow these basic guidelines:

1. Please carefully read the manual before through before beginning with the installation process!
2. The EK High Flow and EK-CSQ type fittings require only a small amount of force to screw them firmly in place since the liquid seal is ensured by the rubber o-ring gaskets.
3. The use of corrosion inhibiting coolants is always recommended for any liquid cooling system.

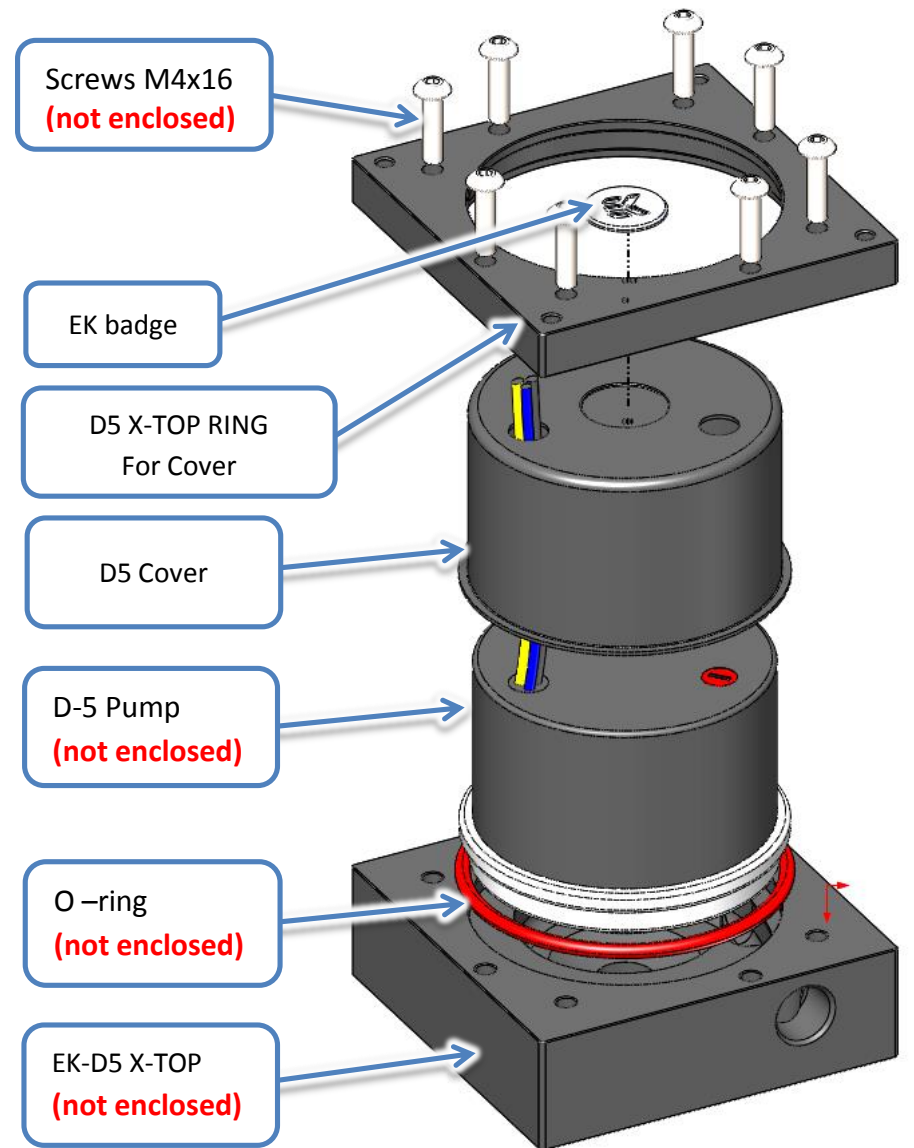
STEP 1: PREPARING THE PUMP

Remove eight (8) original screws marked on picture below and remove the original D5 X-Top ring. Store original ring for possible reuse without D5 Cover.

Keep original 8 pcs of M4x16mm screws as you will need to reuse them!



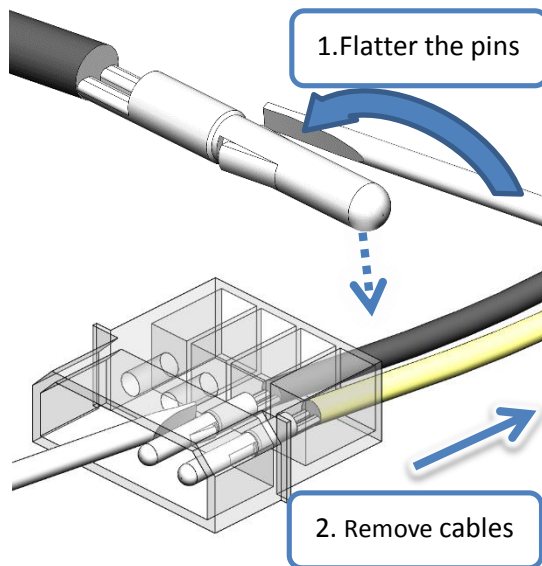
SAMPLE INSTALLATION OVERVIEW - EK-D5 X-TOP WITH COVER



STEP 2: UNINSTALLING THE CONNECTOR

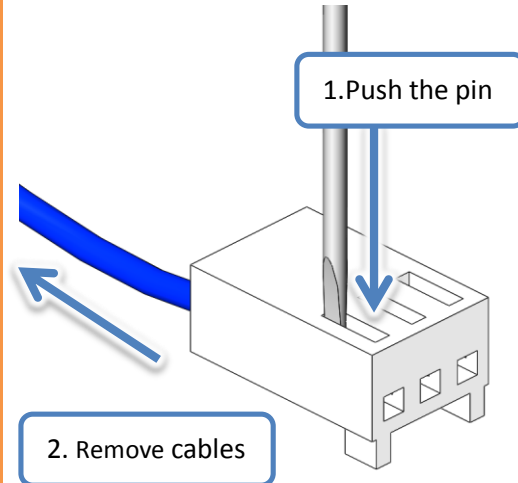
4-PIN MOLEX CONNECTOR

1. Flatten the pins in Molex connector
2. Remove Cables from Molex connector



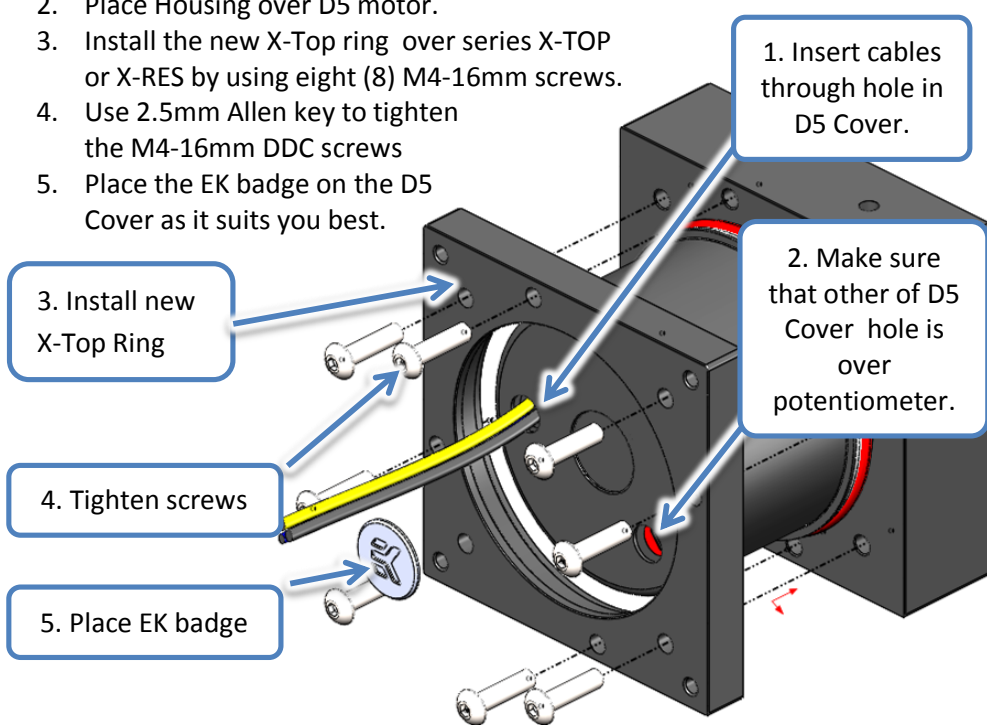
3-PIN FAN CONNECTOR

1. Push the pin on fan connector with screwdriver
2. Remove the cable



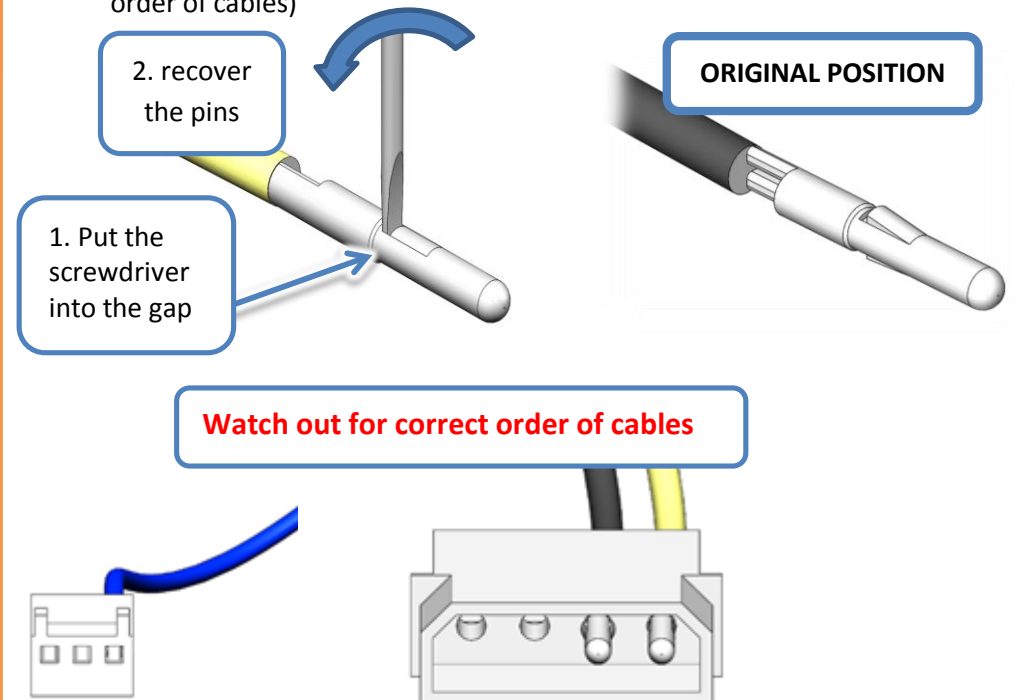
STEP 3: INSTALLING D5-Cover

1. Insert cables through hole in D5 Cover and make sure to have other hole over the D5 potentiometer (Potentiometer is only with D5 Vario/MCP655, PWM version does not have potentiometer).
2. Place Housing over D5 motor.
3. Install the new X-Top ring over series X-TOP or X-RES by using eight (8) M4-16mm screws.
4. Use 2.5mm Allen key to tighten the M4-16mm DDC screws
5. Place the EK badge on the D5 Cover as it suits you best.



STEP 4: INSTALLING THE CONECTOR

1. Put the screwdriver into pin gap in Molex connector
2. Recover flattened pin into original position
3. Put cables back to Molex connector and fan connector (Watch out for correct order of cables)



IMPORTANT DISCLOSURES:

VERY IMPORTANT NOTICE: Once the installation is completed, it is a recommended practice to test the cooling circuit for leaks prior to powering up the computer. We highly recommend a 24 hour leak test prior to powering up the computer. Do not test the water block using tap water pressure. This will rupture the top of the housing and render the block unusable (and will void your warranty). While all efforts have been made to provide the most comprehensive tutorial possible, EK Water Blocks assumes no liability expressed or implied for any consequential damage(s) occurring to your equipment as a result of using EK Water Blocks cooling products, either due to errors or omissions on our part in the above instructions, or due to failure or defect in the EK Water Blocks cooling products.

WARRANTY: Our products are warranted against defects in materials or workmanship for a period of 24 months beginning from the date of delivery to the final user. During this period, products will be repaired or have parts replaced at our discretion provided that: (I) the product is returned to the agent from whom it was purchased; (II) the product has been purchased by an end user and has not used for commercial purposes; (III) the product has not been misused, handled carelessly, or used in a manner other than in accordance with the instructions provided describing its installation and proper use. This warranty does not confer rights other than those expressly set out above and does not cover any claims for consequential loss or damage. This warranty is offered as an extra benefit and does not affect your statutory rights as a consumer. This warranty is voided if the product comes in contact with aggressive UV additives or other improper liquids.

Any RMA claims are to be solved through our online support ticket system: www.ekwb.com/support.

REQUIRED TOOLS: Allen Key 2.5mm (Enclosed with Pump top delivered), Small flat screwdriver or tweezer