

This product is intended for installation only by expert users. Please consult with a qualified technician for installation. Improper installation may result in damage to your equipment. EK Water Blocks assumes no liability whatsoever, expressed or implied, for the use of these products, nor their installation. The following instructions are subject to change without notice. Please visit our web site at www.ekwb.com for updates. Before installation of this product please read important notice, disclosure and warranty conditions printed on the back of the box.

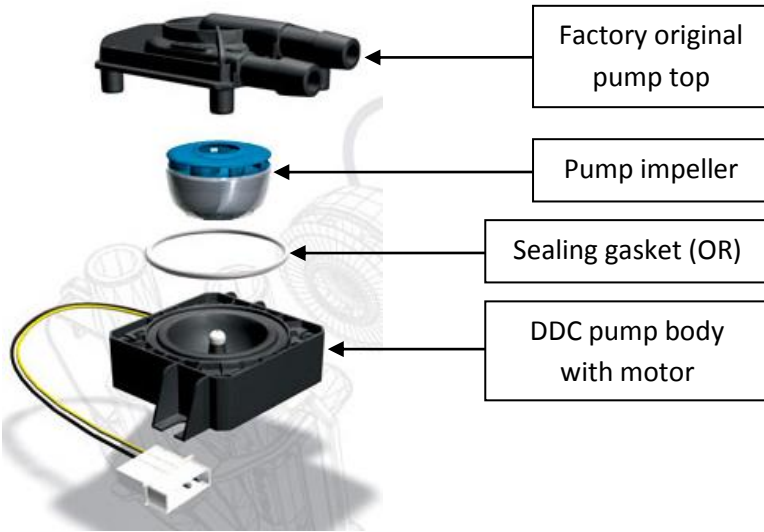
Before you start using this product please follow these basic guidelines:

1. Please carefully read the manual before through before beginning with the installation process!
2. The EK High Flow and EK-PSC type fittings require only a small amount of force to screw them firmly in place since the liquid seal is ensured by the rubber o-ring gaskets.
3. The use of corrosion inhibiting coolants is always recommended for any liquid cooling system.

STEP 1: PREPARING THE PUMP

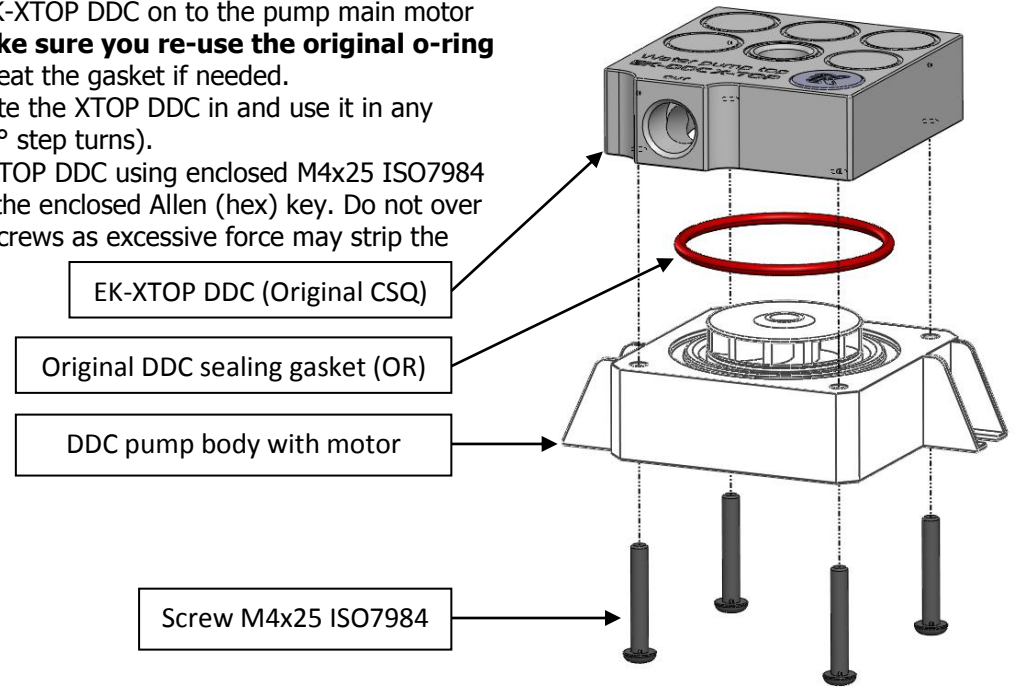
Unscrew the four screws that attaches the Laing pump's original factory top and the main pump core housing with motor. Store these four screws as well as factory pump top in a safe place.

Remember to keep the original o-ring gasket!



STEP 2: INSTALLING THE XTOP

1. Install the EK-XTOP DDC on to the pump main motor housing. **Make sure you re-use the original o-ring gasket!** Reseat the gasket if needed. You can rotate the XTOP DDC in and use it in any direction (90° step turns).
2. Secure the XTOP DDC using enclosed M4x25 ISO7984 screws with the enclosed Allen (hex) key. Do not over tighten the screws as excessive force may strip the threading.



STEP 3: ATTACHING FITTINGS

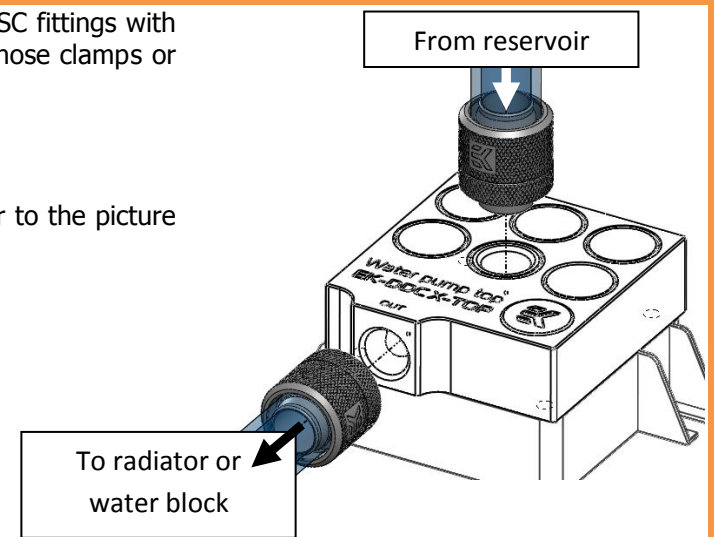
Screw in the fittings in the G1/4 threaded openings on plastic top of the water block. EKWB recommends using EK-PSC fittings with the EK-XTOP DDC series pump tops. To ensure that the tubes are securely attached to the barb/fittings, please use hose clamps or an appropriate substitute.

It is mandatory to use the correct INLET and OUTLET ports:

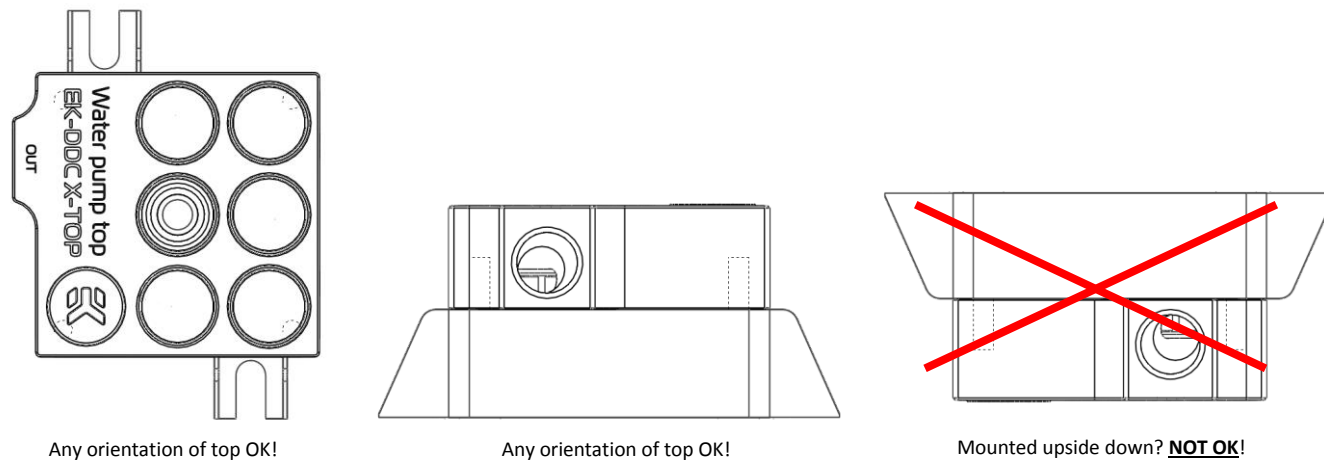
1. The OUTLET port (pressure port) is clearly marked with label 'OUT' engraved on the pump top housing.
2. The INLET port (suction port) is the central G1/4 opening on the EK-XTOP DDC front face plane. Please refer to the picture on the right!

Use reservoir to feed the pump in order to prime it:

Connect reservoir **outlet** port with EK-XTOP DDC **inlet** port!



This water pump & EK-XTOP DDC combo can be used in any mounting configuration (position) apart from being mounted upside down! Mounting the pump upside down may result in pump running dry and eventually lead to premature failure of the pump!



IMPORTANT DISCLOSURES:

VERY IMPORTANT NOTICE: Once the installation is completed, it is a recommended practice to test the cooling circuit for leaks prior to powering up the computer. We recommend a 24 hour leak test prior to powering up the computer. Do not test the water block using tap water pressure. This will rupture the top of the housing and render the block unusable (and will void your warranty). While all efforts have been made to provide the most comprehensive tutorial possible, EK Water Blocks assumes no liability expressed or implied for any consequential damage(s) occurring to your equipment as a result of using EK Water Blocks cooling products, either due to errors or omissions on our part in the above instructions, or due to failure or defect in the EK Water Blocks cooling products.

WARRANTY: Our products are warranted against defects in materials or workmanship for a period of 24 months beginning from the date of delivery to the final user. During this period, products will be repaired or have parts replaced at our discretion provided that: (I) the product is returned to the agent from whom it was purchased; (II) the product has been purchased by an end user and has not used for commercial purposes; (III) the product has not been misused, handled carelessly, or used in a manner other than in accordance with the instructions provided describing its installation and proper use. This warranty does not confer rights other than those expressly set out above and does not cover any claims for consequential loss or damage. This warranty is offered as an extra benefit and does not affect your statutory rights as a consumer. This warranty is voided if the product comes in contact with aggressive UV additives or other improper liquids.

Any other RMA issues can be reported to support@ekwaterblocks.com for further analysis.

REQUIRED TOOLS

allen key 2.5mm