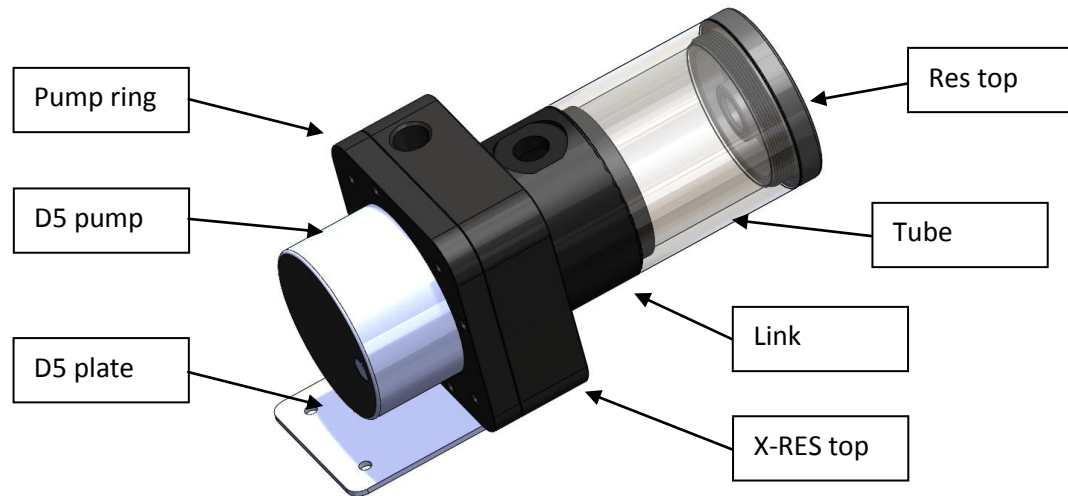


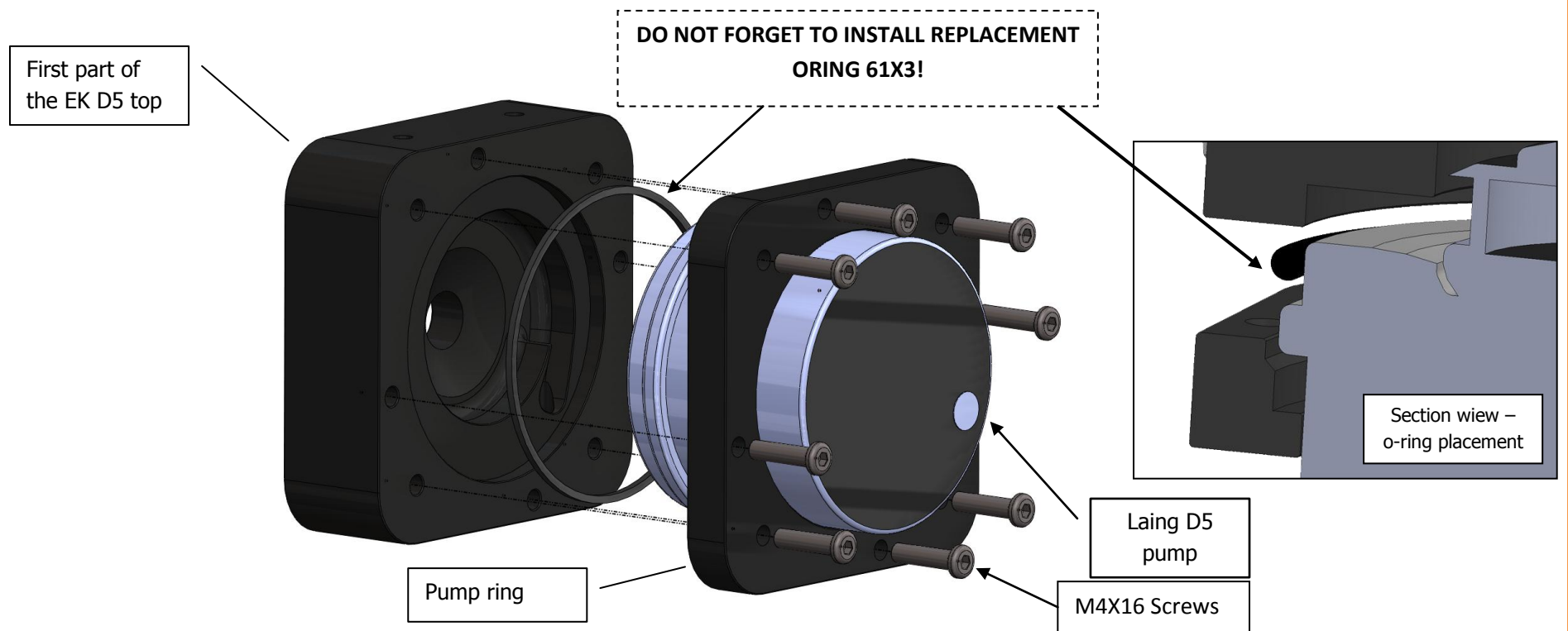
This product is intended for installation only by expert users. Please consult with a qualified technician for installation. Improper installation may result in damage to your equipment. EKWB d.o.o. assumes no liability whatsoever, expressed or implied, for the use of these products, nor their installation. The following instructions are subject to change without notice. Please visit our web site at [www.ekwaterblocks.com](http://www.ekwaterblocks.com) for updates.  
**The barb hose fittings require only a small amount of force to screw them in; otherwise the high flow fittings might break. These fittings do not need to be tightened with much force because the liquid seal is made using o-rings.**  
**EKWB recommends 24 hour leak testing for all EK products before powering on the computer. This will eliminate any damages that may occur because of the users improper installation or products imperfections.**

## STEP 1: GENERAL INFORMATION. Sample picture of EK-D5 X-RES TOP 100



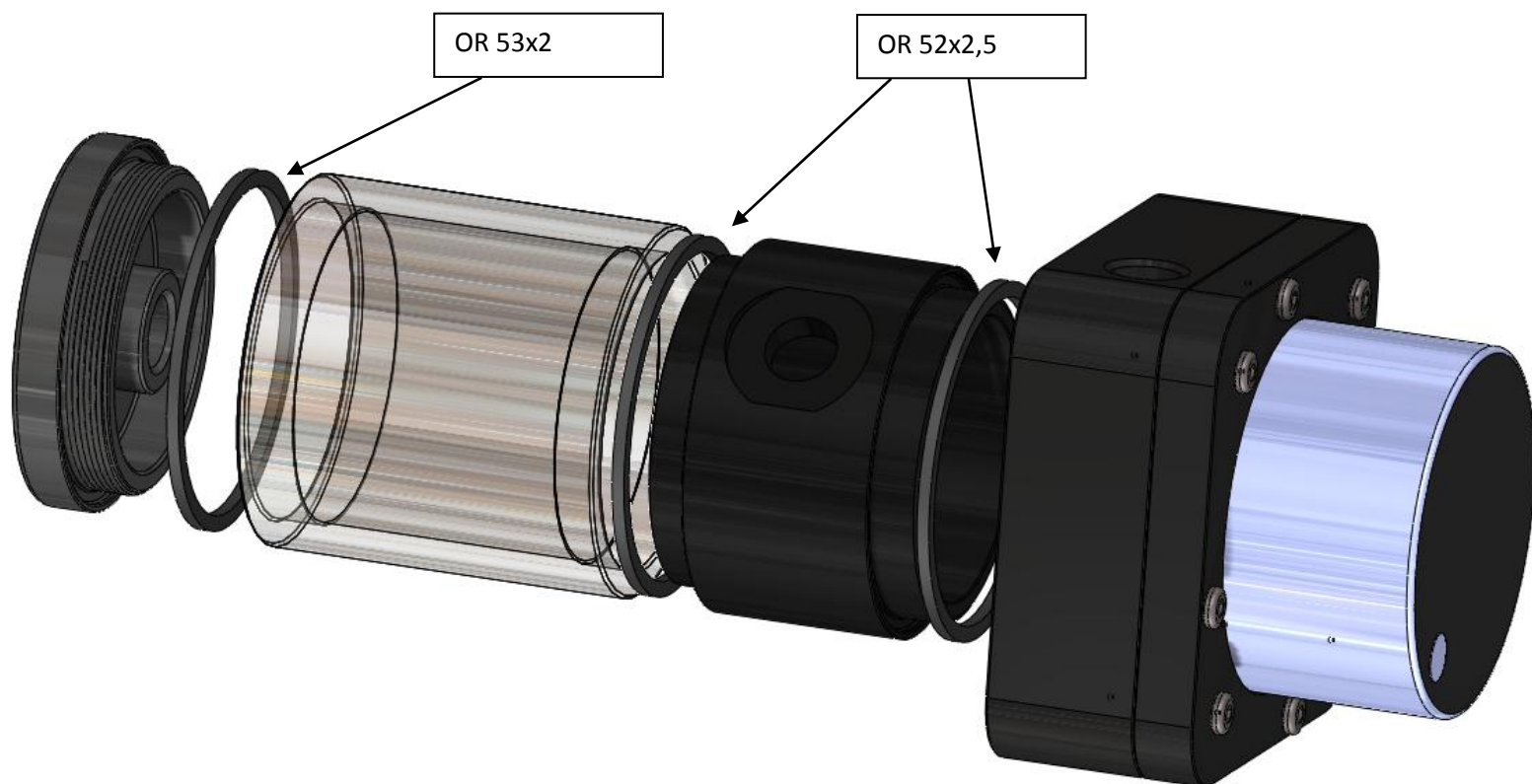
## STEP 2: PREPARING YOUR PUMP

Take your Laing D5 pump and remove the original casing. Install the D5 pump in between the two parts of the EK D5 top as shown on picture below.

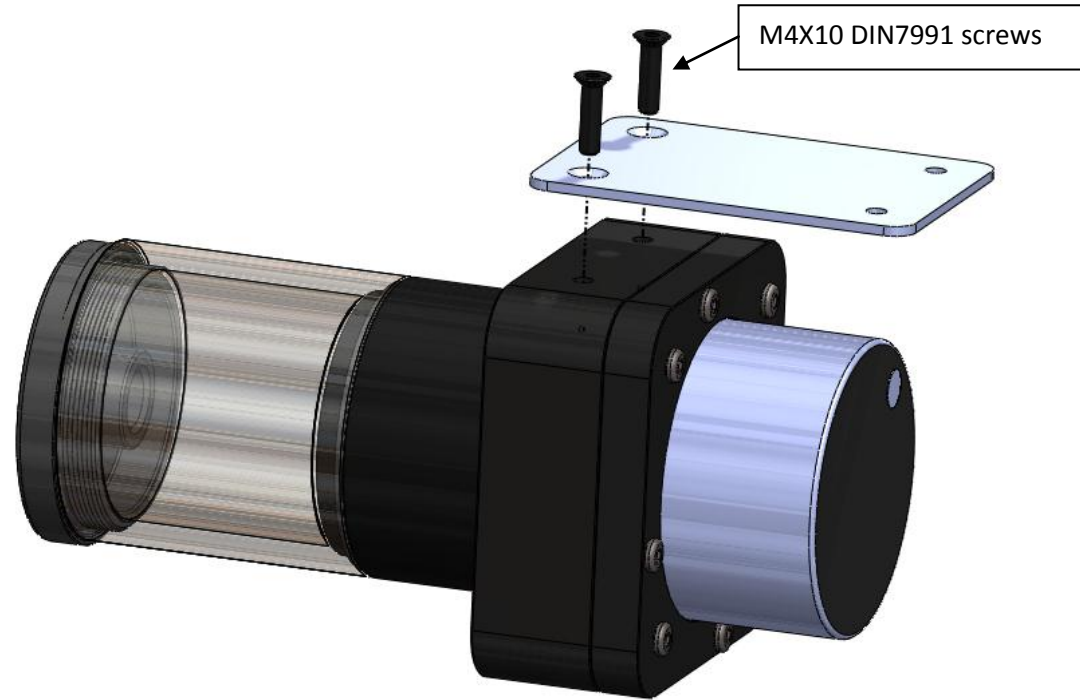


## STEP 3: ATTACHING RESERVOIR TO X-RES TOP

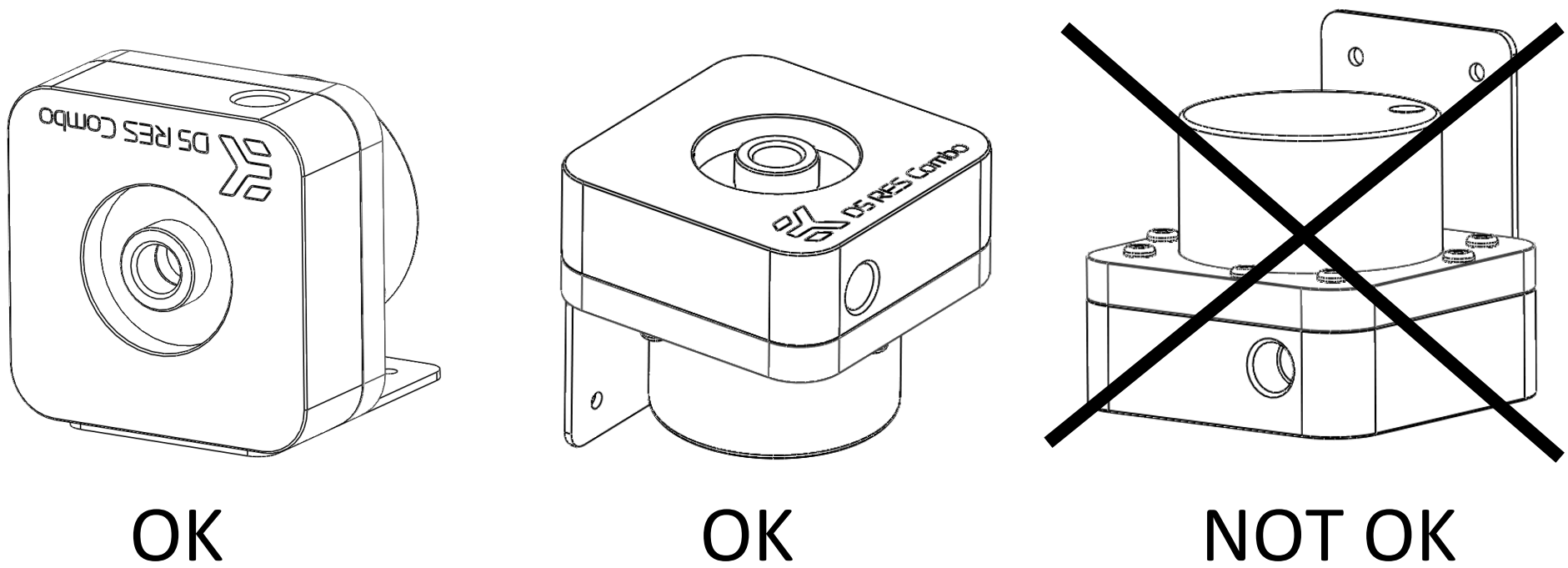
Assemble reservoir and pump top in order as shown below.



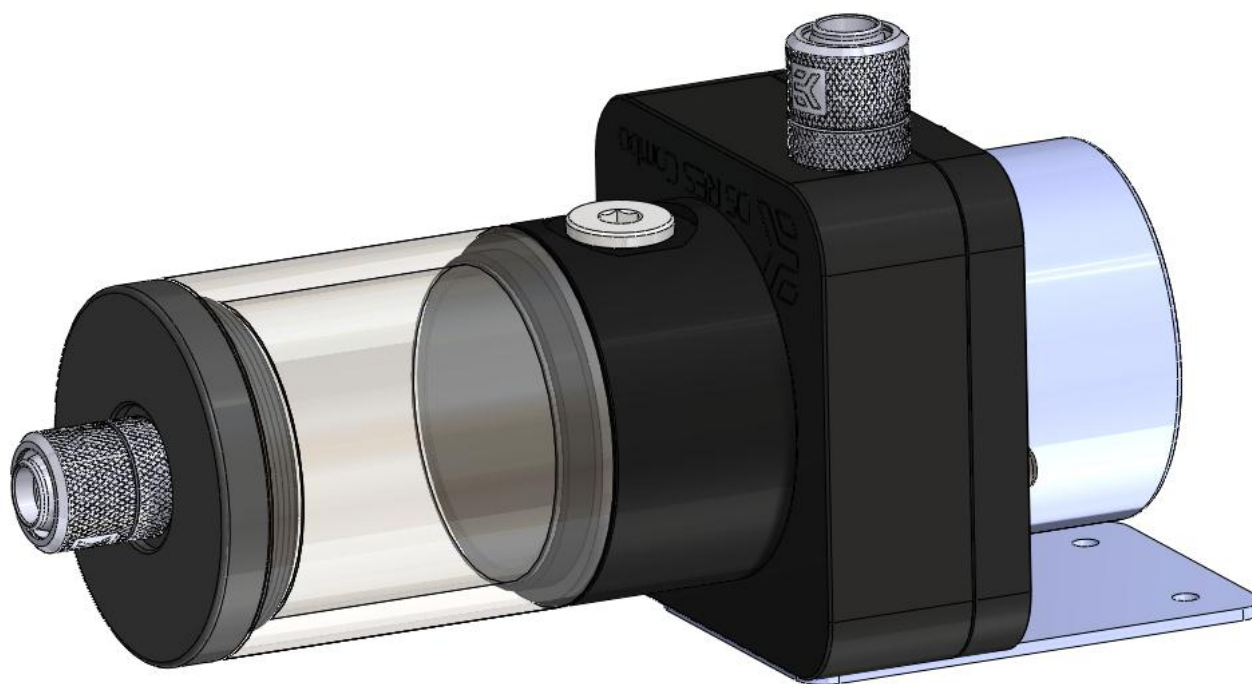
#### STEP 4: ATTACHING D5 PLATE



#### STEP 5: ALLOWED POSITIONING OF EK-D5 X-RES TOP



#### STEP 6: SAMPLE OF FITTING POSITIONING



#### STEP 7: OTHER INSTRUCTIONS

Please note that EKWB holds no responsibility of any kind if assembly is not made by instructions. This applies also for all products that are not listed as compatible on web page. Users must by all means also consider instructions that are being made for proper use of pump and other water cooling components provided by manufacturer(s).

**HINT:** Never let your pump dry running. If that happens for prolonged period of time you risk destroying bearing and rendering pump useless.