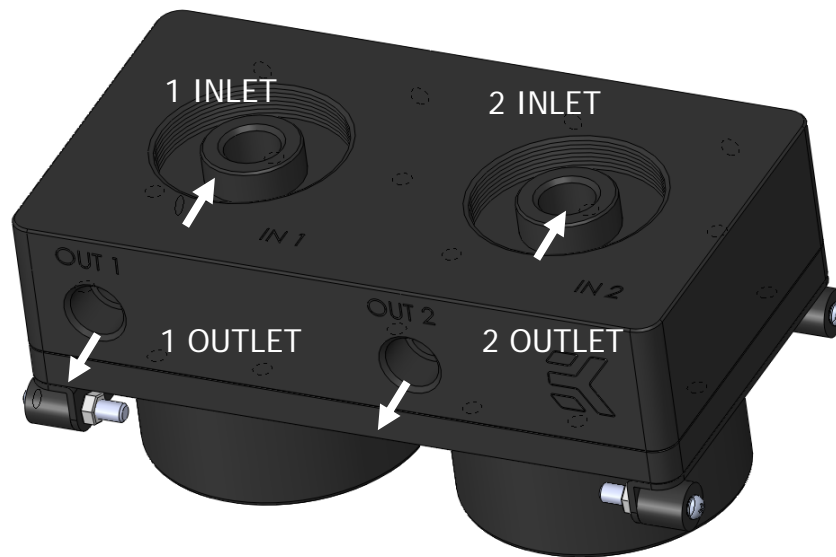


This product is intended for installation only by expert users. Please consult with a qualified technician for installation. Improper installation may result in damage to your equipment. EKWB d.o.o. assumes no liability whatsoever, expressed or implied, for the use of these products, nor their installation. The following instructions are subject to change without notice. Please visit our web site at www.ekwaterblocks.com for updates. The barb hose fittings require only a small amount of force to screw them in; otherwise the high flow fittings might break. These fittings do not need to be tightened with much force because the liquid seal is made using o-rings. EKWB recommends 24 hour leak testing for all EK products before powering on the computer. This will eliminate any damages that may occur because of the users improper installation or products imperfections.

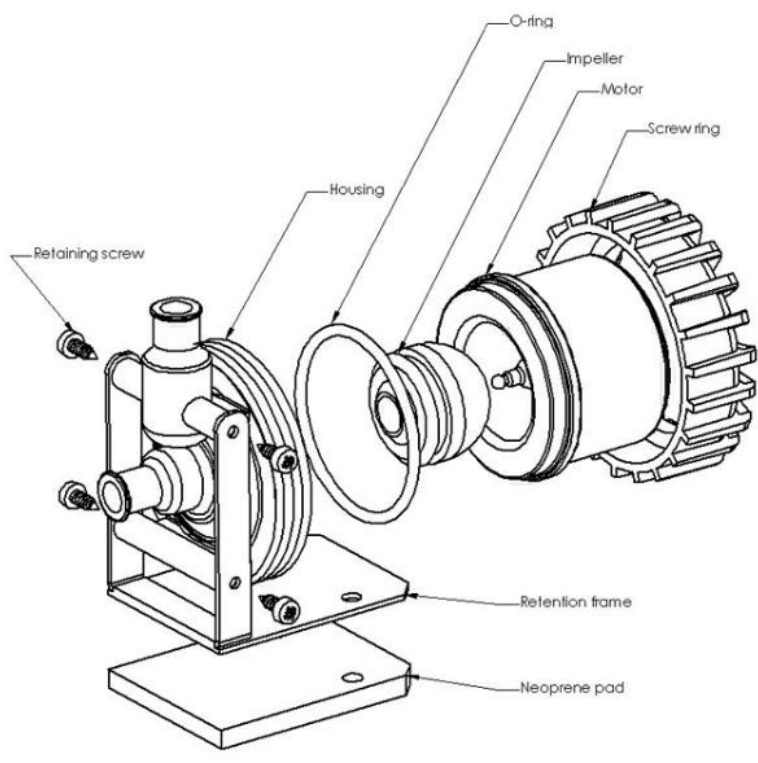
STEP 1: GENERAL INFORMATION. Sample picture of EK-D5 Dual TOP 2 LOOPS mounted with two Laing D5 pumps (MCP 655)



STEP 2 and 3: PREPARING THE PUMP AND ASSEMBLING THE "EK-D5 Dual TOP" WITH TWO PUMPS

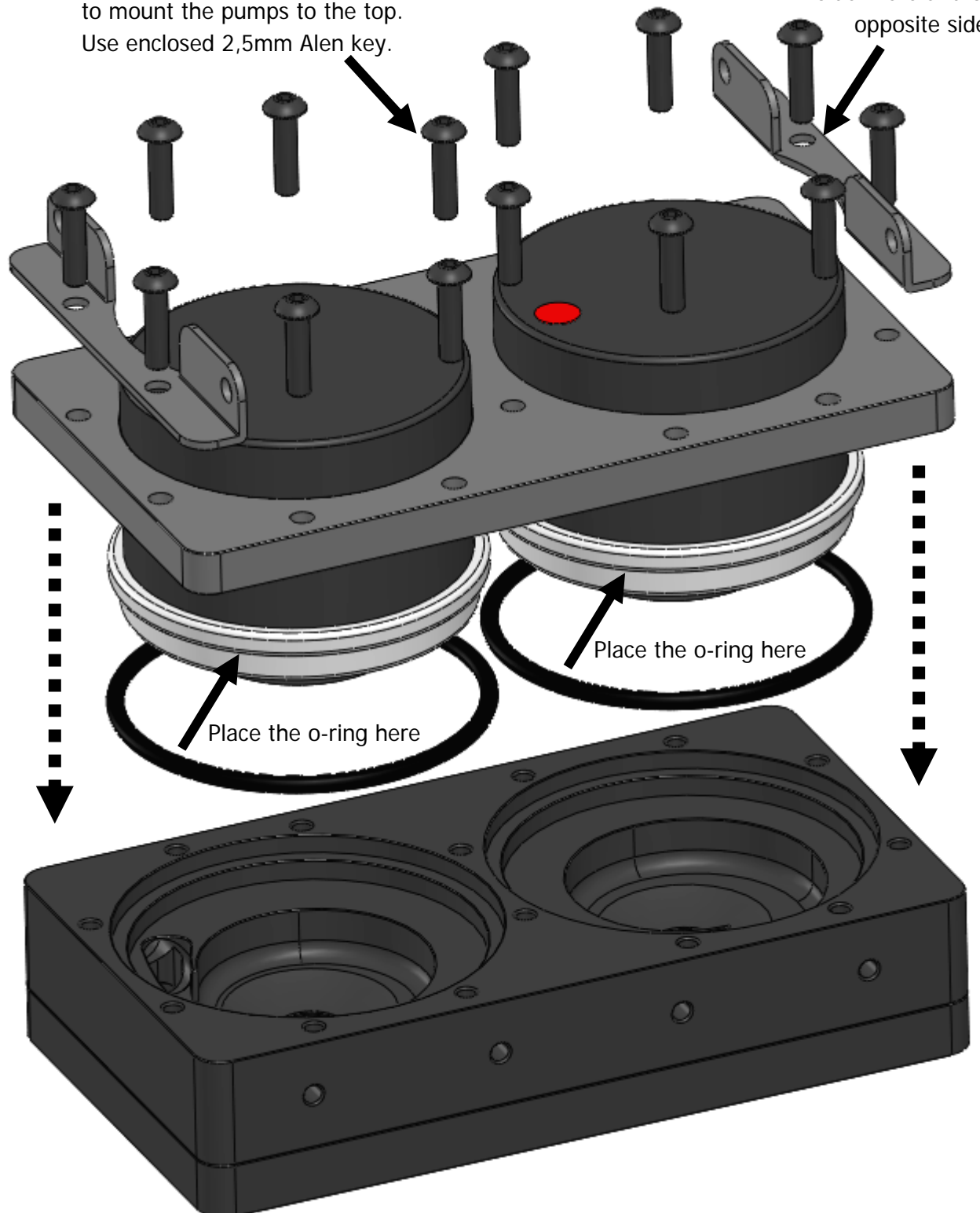
2. PREPARING THE PUMP.

Take your Laing D5 or MCP655 branded pump. Unscrew the Screw ring and take only motor with impeller. (the rest parts of the pump delivery you will not need.)



Use 14 pcs of M4×16mm screws to mount the pumps to the top. Use enclosed 2,5mm Allen key.

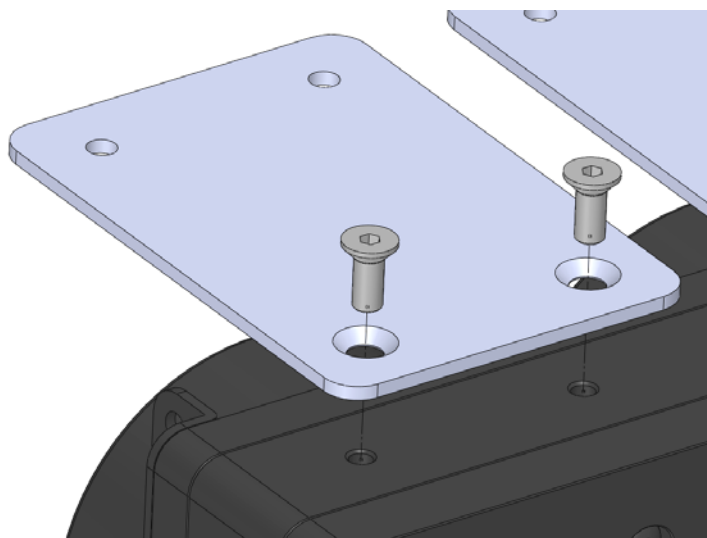
Place one 5,25« bay holder here and on opposite side:



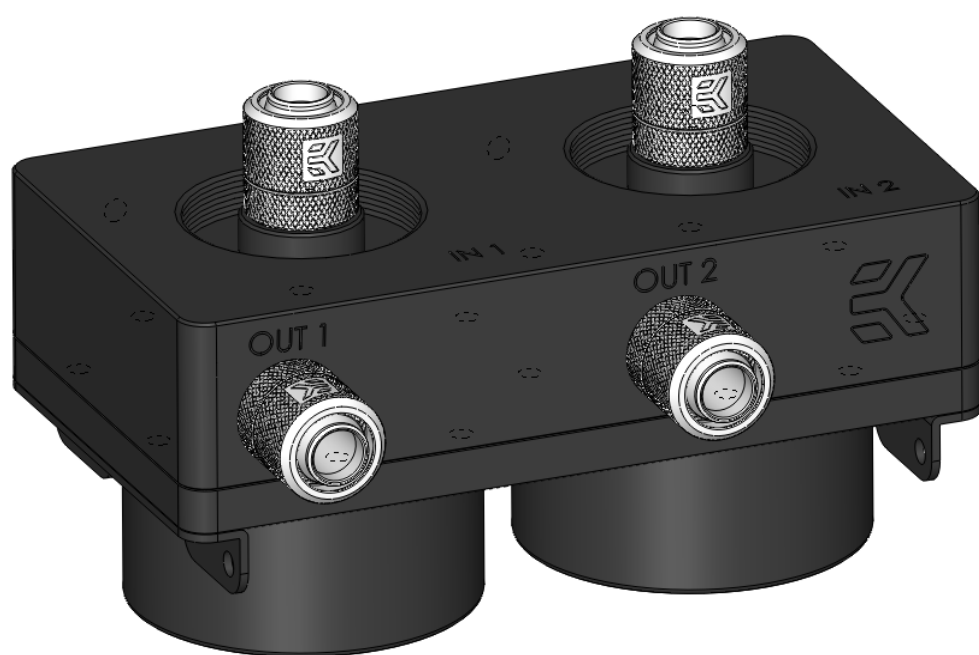
3. ASSEMBLING THE "EK-D5 Dual TOP 2 LOOPS" WITH TWO PUMPS

Take motor with impeller of your Laing D5 or MCP655 branded pump. Place it according to right picture. Do not forget to place o-rings that are enclosed in "EK-D5 Dual TOP 2 LOOPS" box. Use enclosed 2,5mm Allen key to screw the 14 M4×16mm screws to secure the pumps.

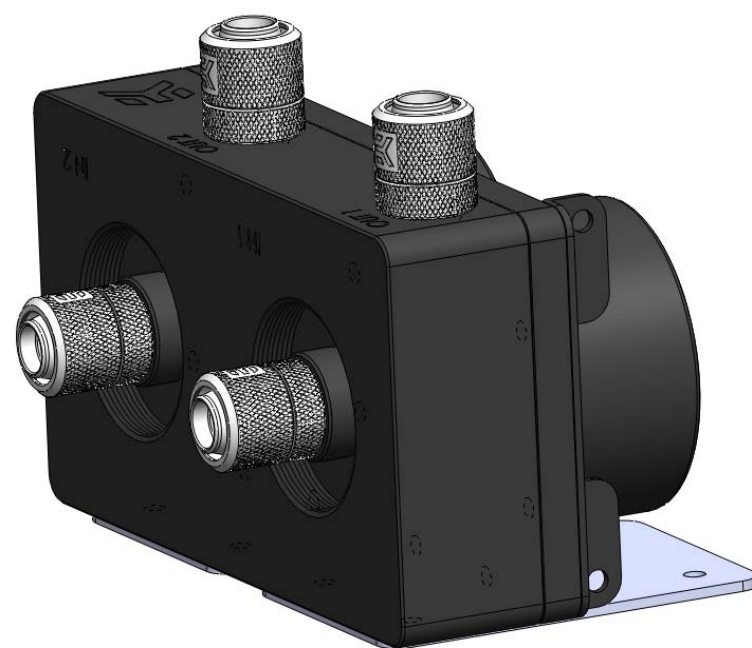
STEP 4: POSSIBLE POSITIONS and MOUNTINGS.



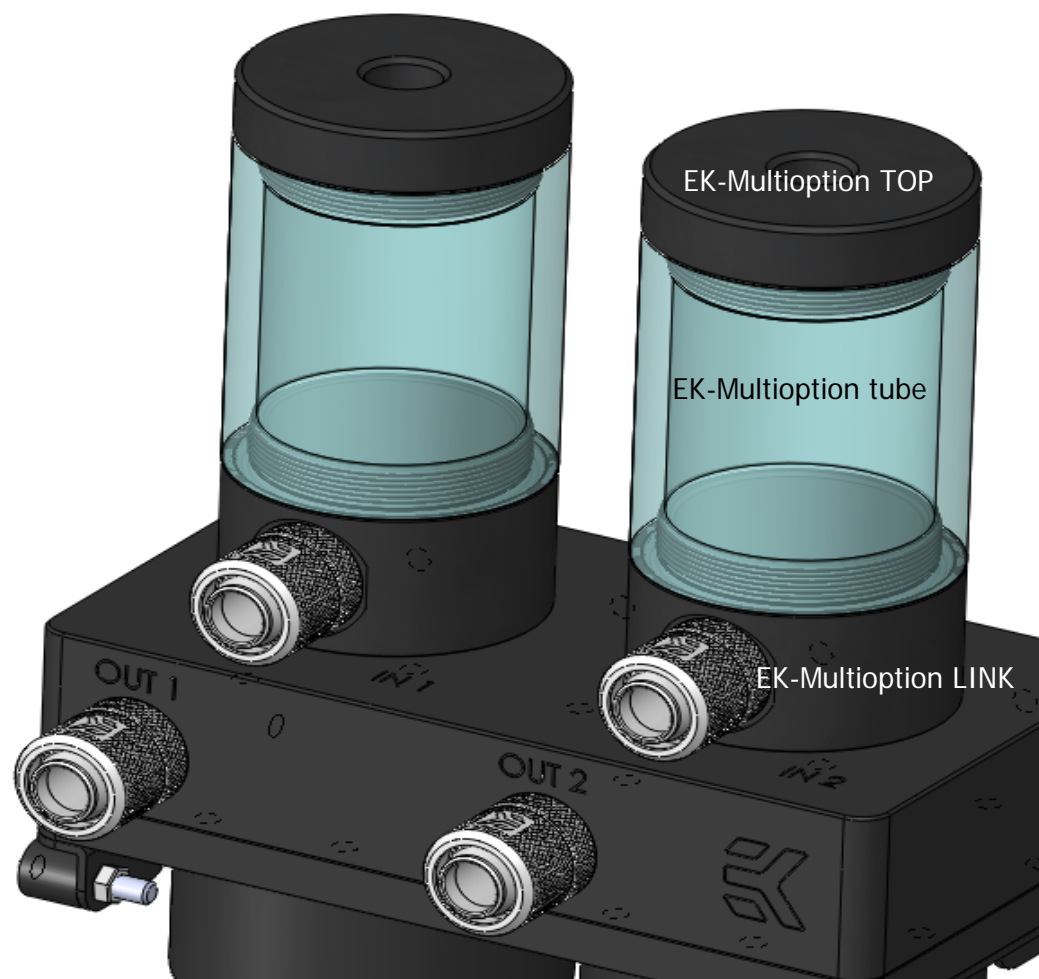
Mounting the plates for standalone placement



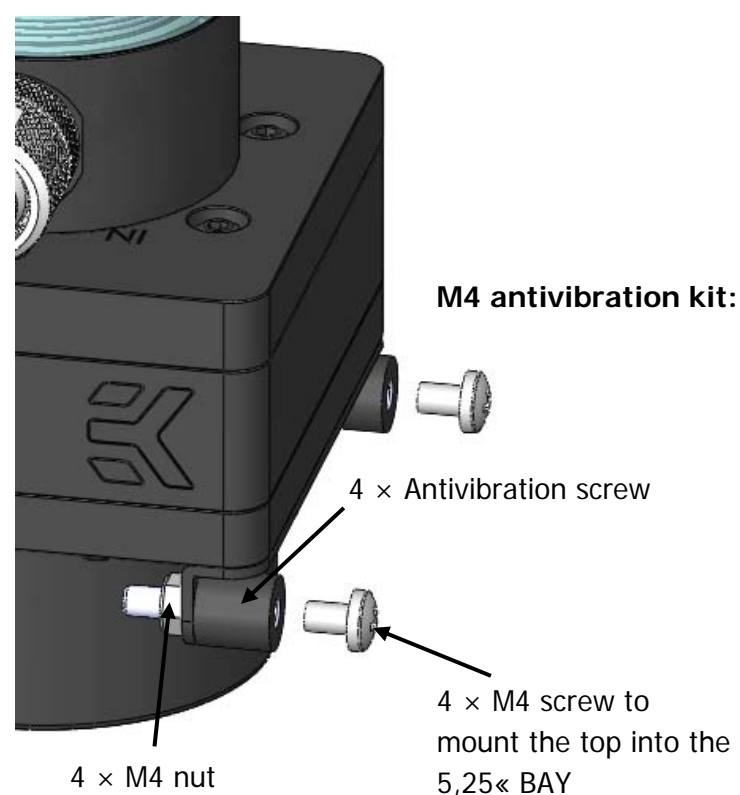
Possible fittings positions



Standalone placement



EK-D5 Dual TOP 2 LOOPS as a Reservoir Combo



Mounting the M4 antivibration kit for 5,25" BAY mount

STEP 5: OTHER INSTRUCTIONS

Please note that EKWB holds no responsibility of any kind if assembly is not made by instructions. This applies also for all products that are not listed as compatible on web page. Users must by all means also consider instructions that are being made for proper use of pump provided by pump manufacturer.