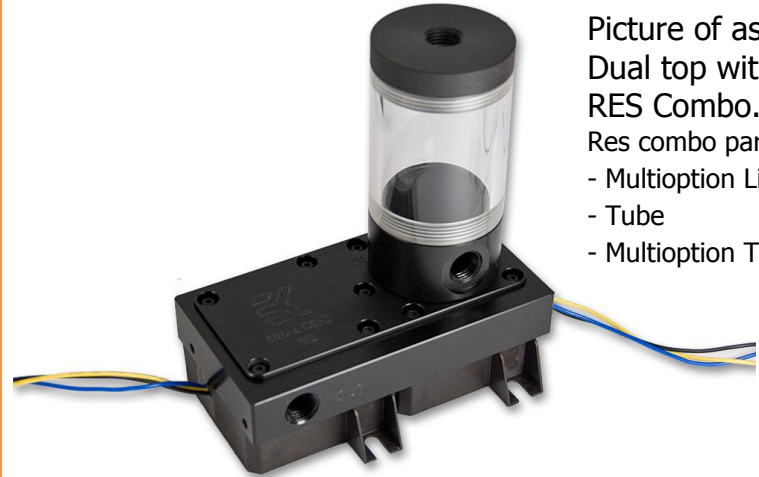
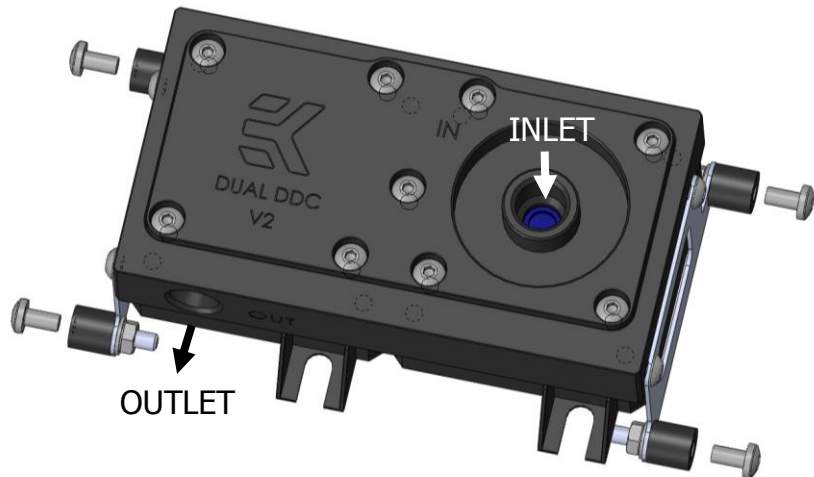


This product is intended for installation only by expert users. Please consult with a qualified technician for installation. Improper installation may result in damage to your equipment. EKWB d.o.o. assumes no liability whatsoever, expressed or implied, for the use of these products, nor their installation. The following instructions are subject to change without notice. Please visit our web site at www.ekwaterblocks.com for updates. **The barb hose fittings require only a small amount of force to screw them in; otherwise the high flow fittings might break. These fittings do not need to be tightened with much force because the liquid seal is made using o-rings.** EKWB recommends 24 hour leak testing for all EK products before powering on the computer. This will eliminate any damages that may occur because of the users improper installation or products imperfections.

STEP 1: GENERAL INFORMATION. Sample picture of EK-DDC Dual TOP mounted with two Laing DDC pumps



Picture of assembled DDC Dual top with addition of RES Combo.
Res combo parts are not enclosed:
- Multioption Link 1xG1/4
- Tube
- Multioption Top

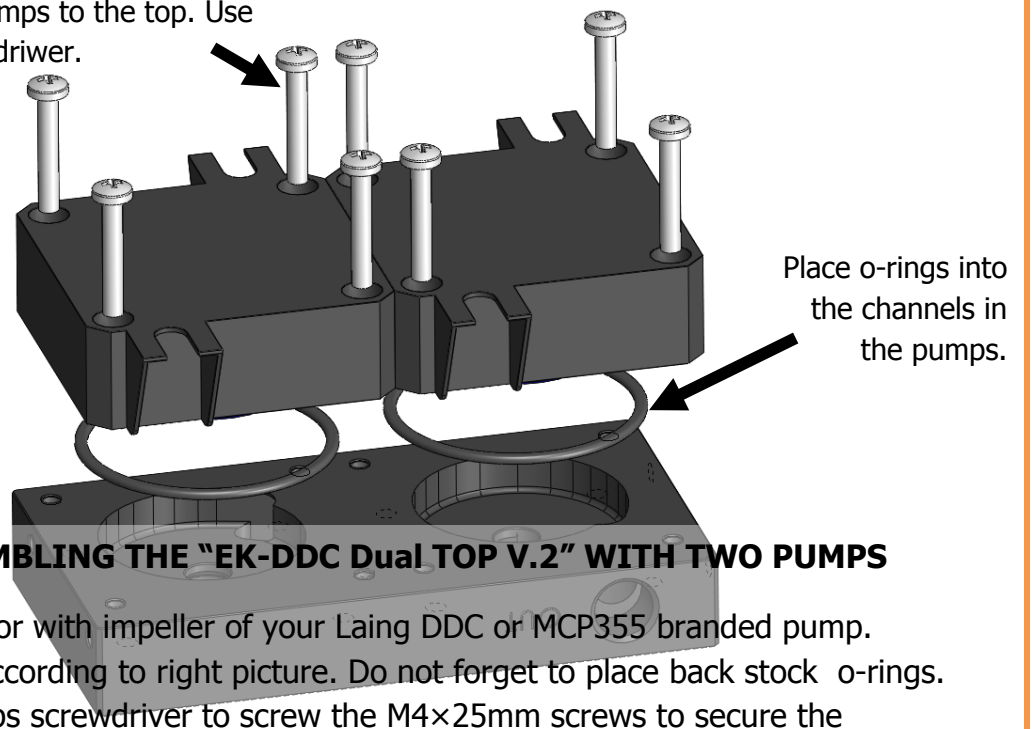
STEP 2 and 3: PREPARING THE PUMP AND ASSEMBLING THE "EK-DDC Dual TOP" WITH TWO PUMPS

2. PREPARING THE PUMP.

Take your Laing DDC pump or MCP branded pump. Unscrew the Screws that connects stock top at the bottom and put the top away as you don't need it any more. Keep it for the warranty reason if pump stops working.



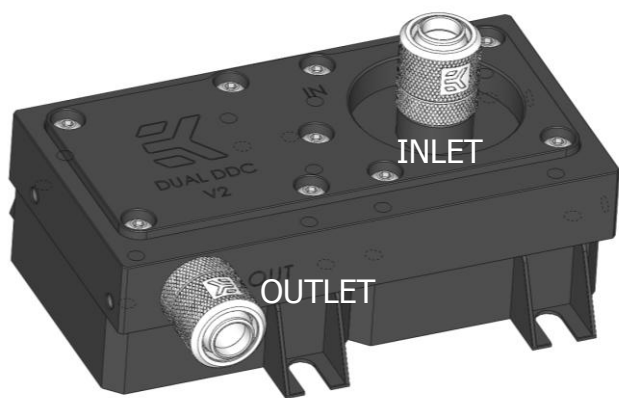
Use 8 pcs of M4x25mm screws to mount the pumps to the top. Use phillips screwdriver.



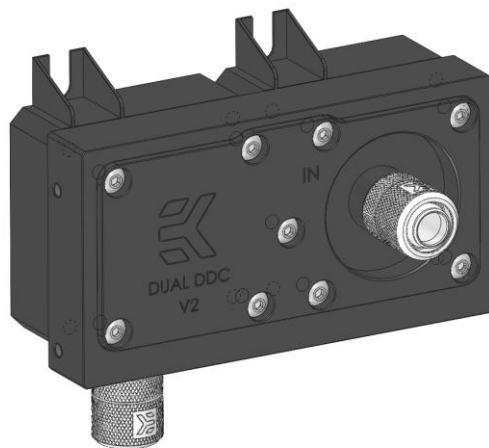
3. ASSEMBLING THE "EK-DDC Dual TOP V.2" WITH TWO PUMPS

Take motor with impeller of your Laing DDC or MCP355 branded pump. Place it according to right picture. Do not forget to place back stock o-rings. Use Phillips screwdriver to screw the M4x25mm screws to secure the

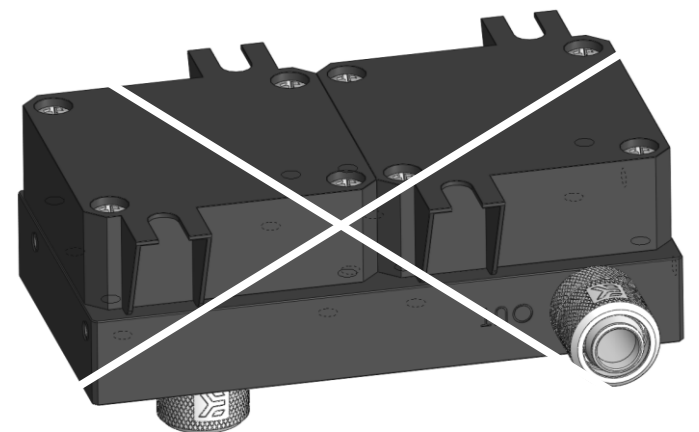
STEP 4: POSSIBLE POSITIONS and MOUNTINGS.



Position 1

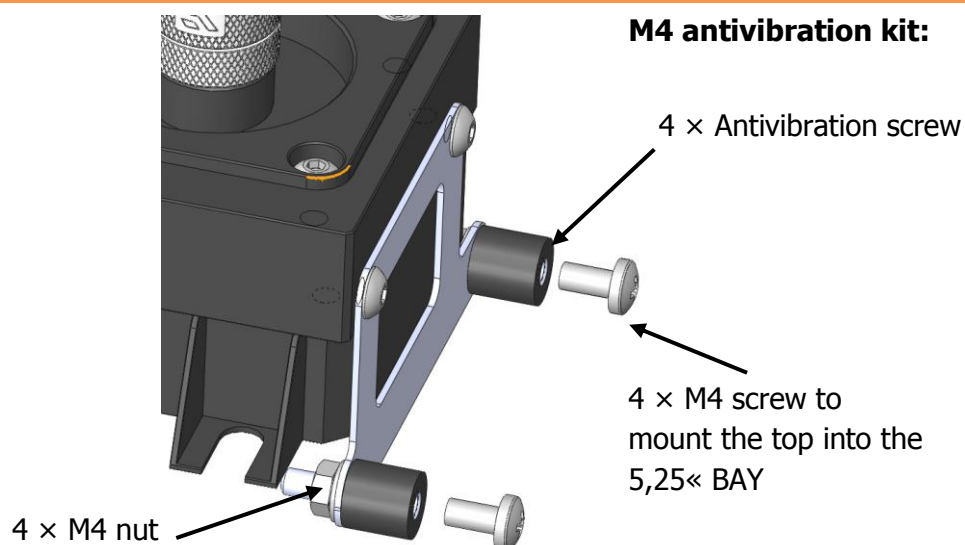


Position 2



Mounting pump upside down is not recommended by pump manufacturer.

M4 antivibration kit:



EK-DDC Dual TOP V2 mounting in 5,25" bay

STEP 5: OTHER INSTRUCTIONS

Please note that EKWB holds no responsibility of any kind if assembly is not made by instructions. This applies also for all products that are not listed as compatible on web page. Users must by all means also consider instructions that are being made for proper use of pump provided by pump manufacturer.