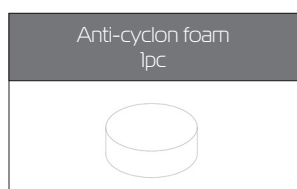
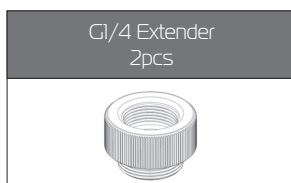
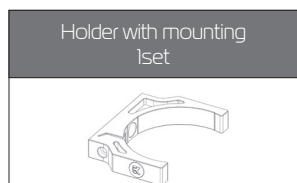


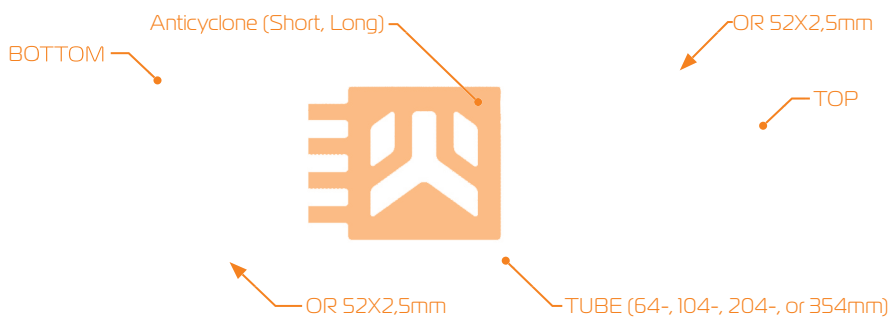
EK-RES X3

USER GUIDE

GENERAL INFORMATIONS

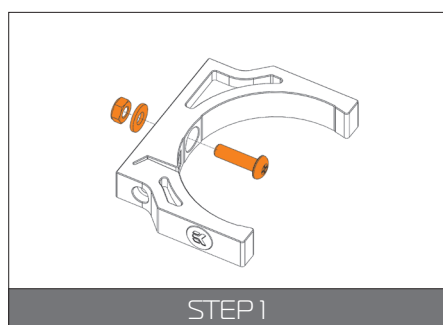


/1/



/2/

INSTALLING THE RESERVOIR HOLDERS

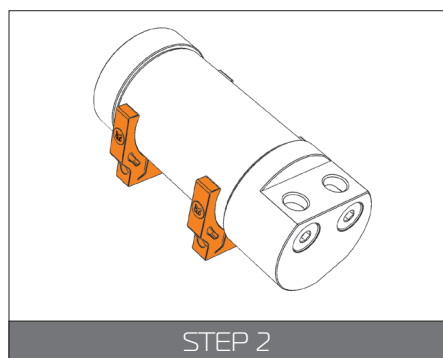


EK-RES X3 series reservoirs comes with a pair of special EK-Reservoir holders. These holders are meant to be installed directly on the computer chassis. User may need to drill 2 (two) $\varnothing 4\text{mm}$ holes through chassis metal using electric power drill if there are no appropriate mounting holes available.

STEP 1

Use enclosed M4 screw, washer and nut to mount the reservoir holder through the pre-drilled hole to the computer chassis.

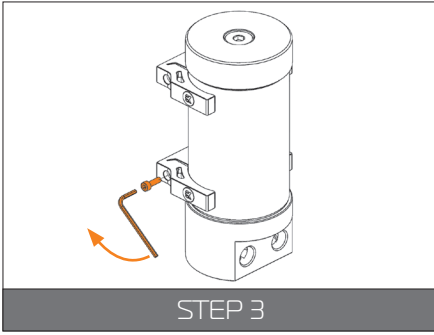
/3/



STEP 2

Install reservoir onto reservoir holders. Using a gentle force the reservoir will easily 'click' into position. The clamps should always hold onto acrylic tube and not the acetal top or bottom.

/4/



STEP 3

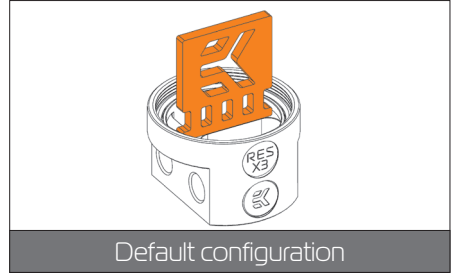
STEP 3

Once the reservoir is positioned please use enclosed 2.5mm Allen key to tighten the hex head screw in order to clamp the reservoir. Do not use high force. Partially unscrew the aforementioned screw when removing the reservoir.

/ 5 /

USING POLYETHER ANTI-VORTEX FOAM

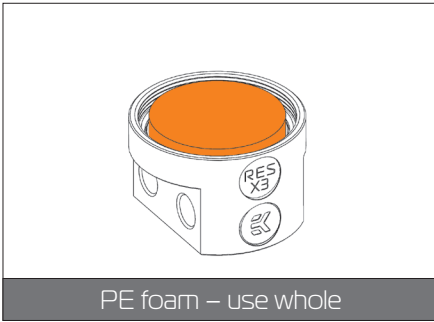
EK-RES X3 series reservoir comes preinstalled with EK-RES X3 – Anticyclone by default (long or short – depending on the variant). In case your system suffers from excessive vortex issues, air bleeding problems or if the pump is sucking in air you may replace the anticyclone with the enclosed polyether foam. There are two ways to use the polyether anti-vortex foam:



Default configuration

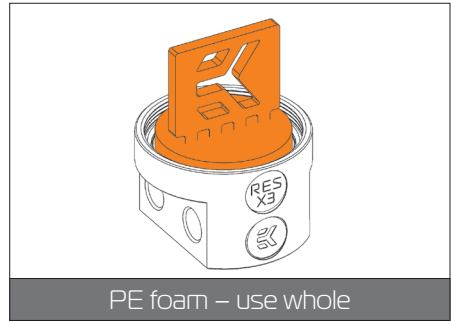
This is the default configuration of EK-RES X3 series reservoir.

/ 6 /



PE foam – use whole

Use the foam as a whole to replace EK-RES X3 – Anticyclone.

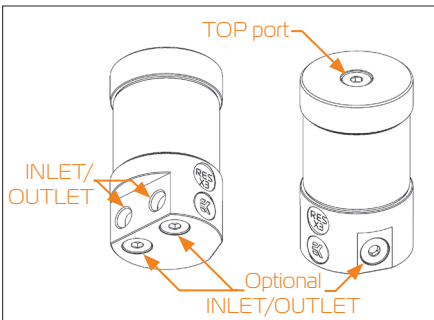


PE foam – use whole

Use whole foam or trim to size to fit into desired inlet recess on the EK-RES X3 Bottom.

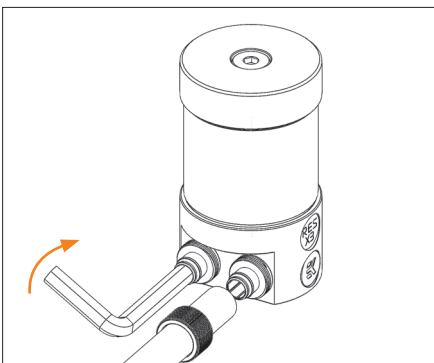
/ 7 /

RECOMMENDED RESERVOIR CONFIGURATION



EK-RES X3 series reservoir features 5 (five) G1/4 threaded inlet/outlet openings on the Reservoir Bottom plus additional one on the Reservoir Top. In order for reservoir to function properly one port must be used as an inlet and one as an outlet. Unused ports must be closed with plugs using enclosed 6mm Allen key!

/ 8 /



When using optional INLET/OUTLET ports it is mandatory to use the enclosed EK-Extender G1/4 due the ports being recessed into the plastic reservoir bottom.

Top port should only be used to connect this reservoir with external fill port!

/ 9 /