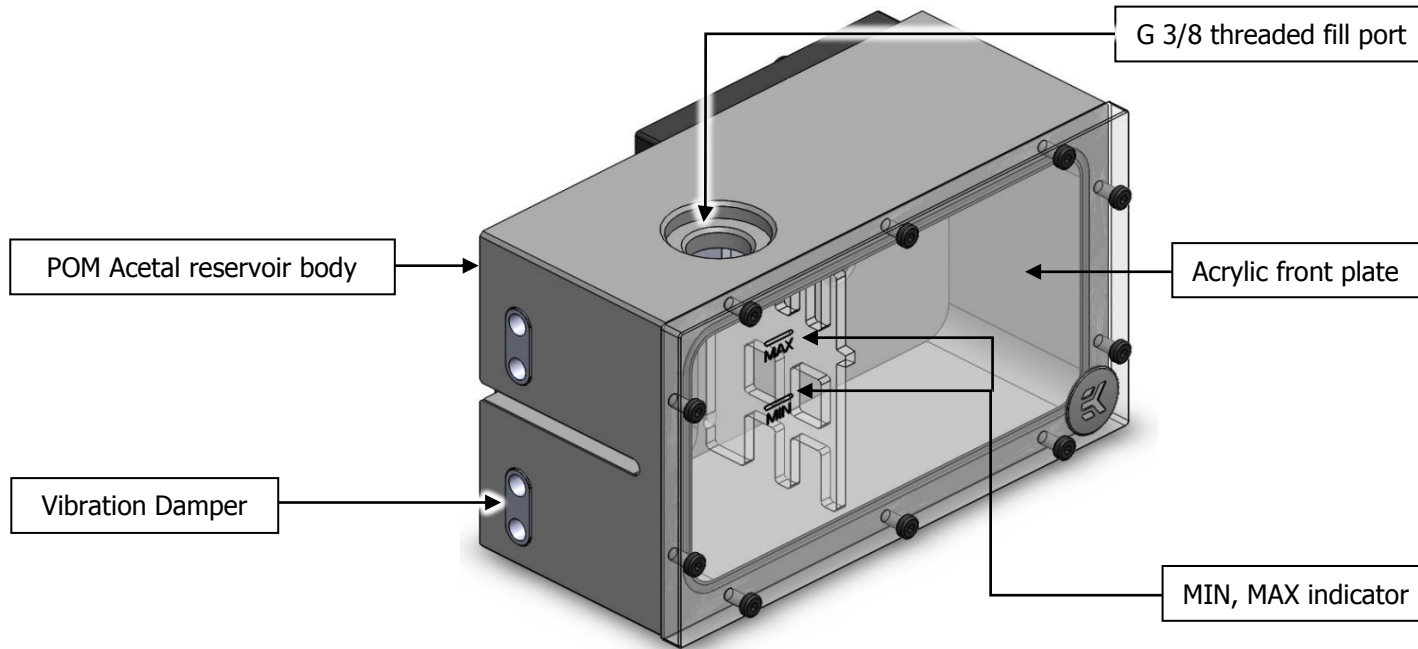


This product is intended for installation only by expert users. Please consult with a qualified technician for installation. Improper installation may result in damage to your equipment. EK Water Blocks assumes no liability whatsoever, expressed or implied, for the use of these products, nor their installation. The following instructions are subject to change without notice. Please visit our web site at www.ekwb.com for updates. Before installation of this product please read important notice, disclosure and warranty conditions printed on the back of the box.

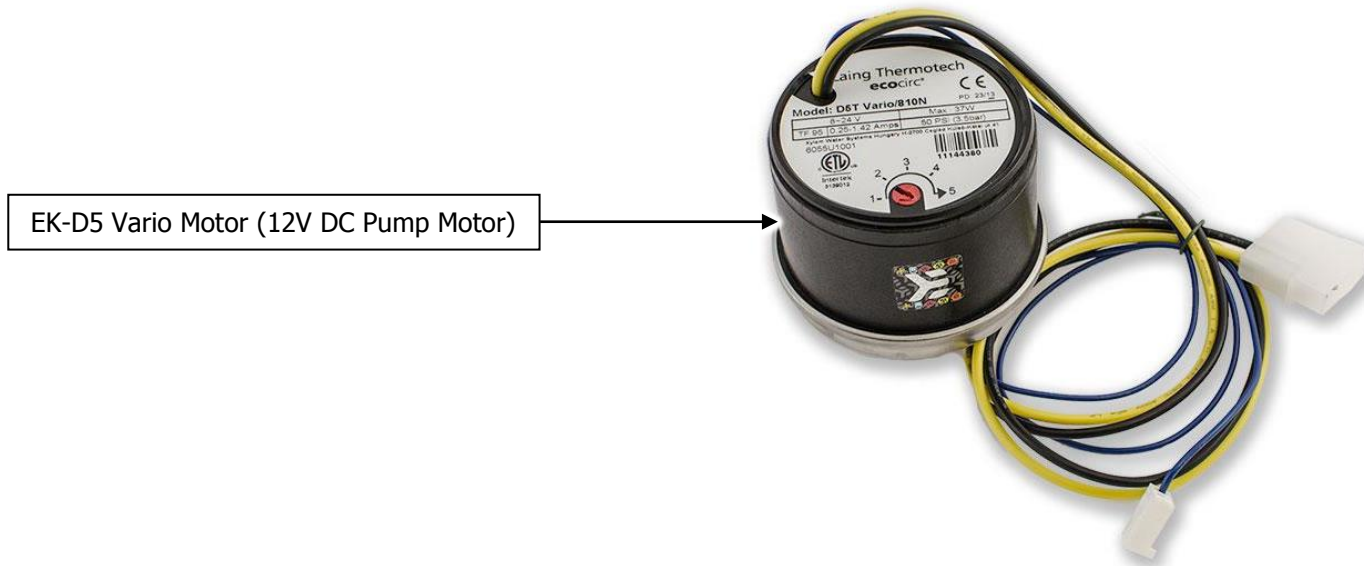
The barb hose fittings require only a small amount of force to screw them in; otherwise the high flow fittings might break. These fittings do not need to be tightened with much force because the liquid seal is made using O-rings. The use of an algacide and corrosion inhibitors is always recommended for any liquid cooling system.

STEP 1: GENERAL INFORMATION Sample picture of EK-BAY Res D5 reservoir.



STEP 2: PREPARING THE PUMP

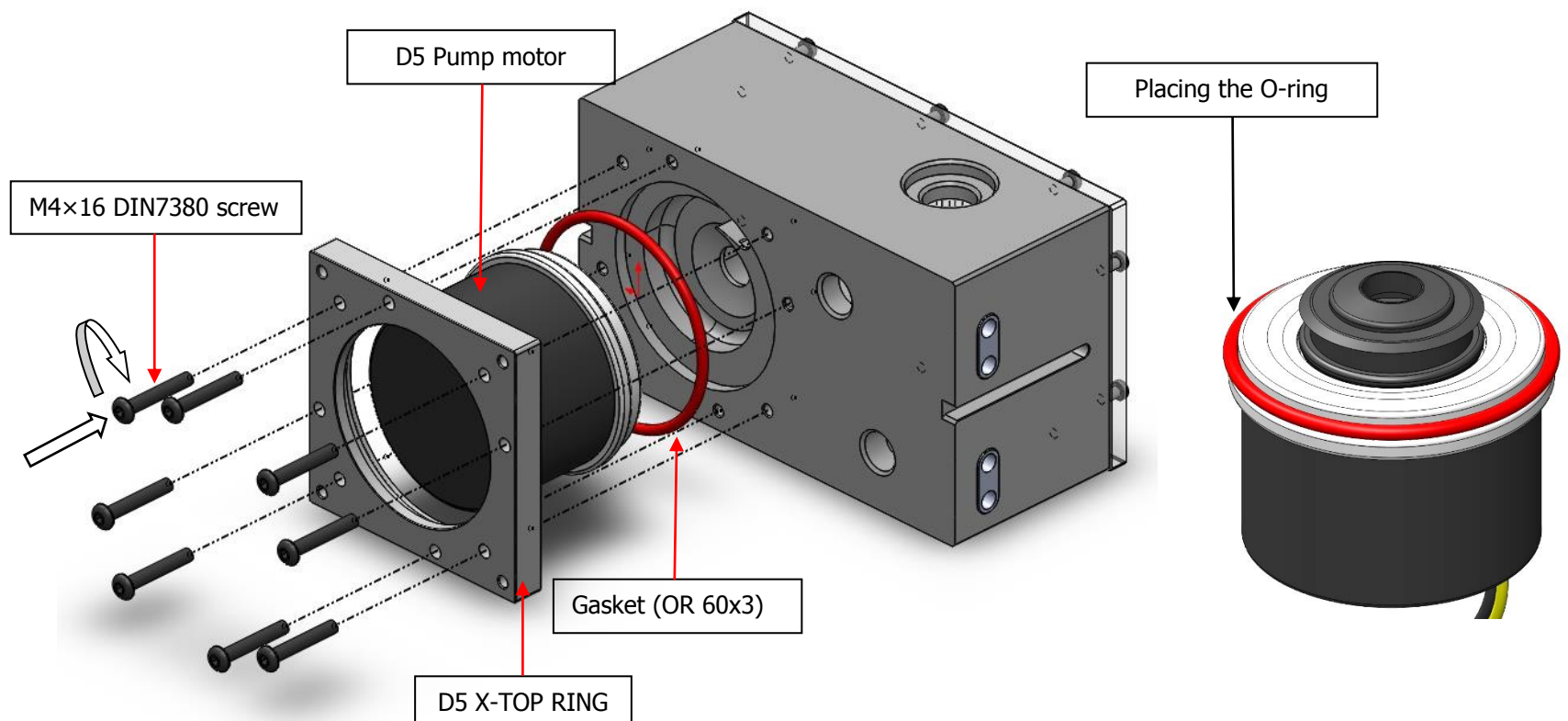
EK-BAY Res D5 reservoir is only compatible with the Xylem/Laing D5 pump. Before installation remove main pump motor/body from the stock or any other third party pump top.



STEP 3: ASSEMBLING THE EK-BAY Res D5

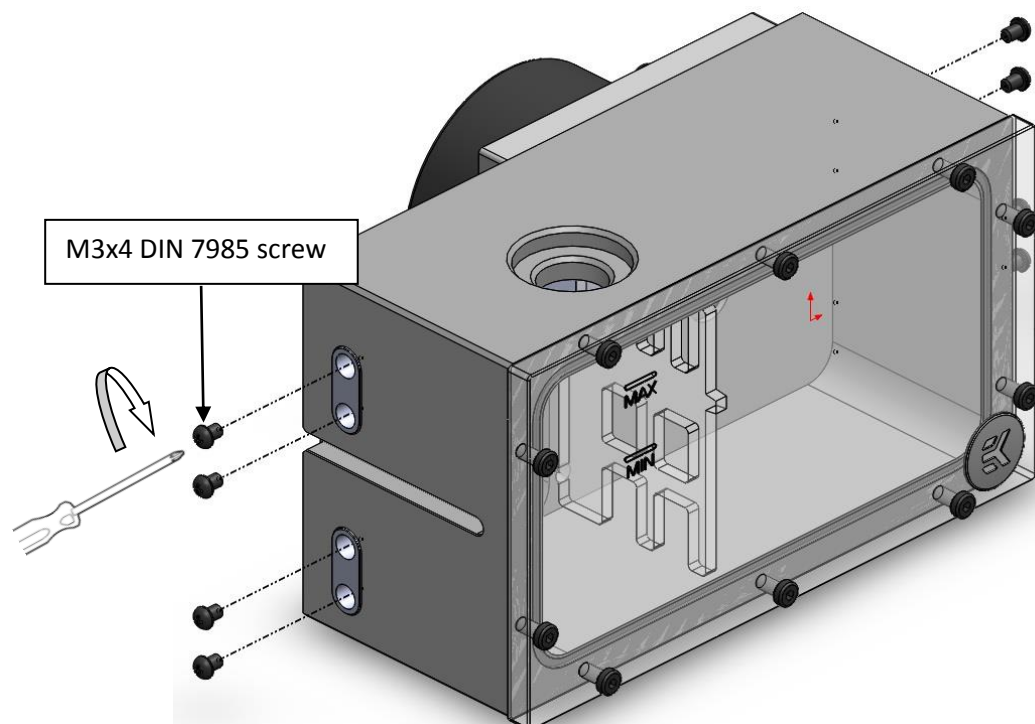
Take your Xylem/Laing D5 pump. Place it according to the picture. Do not forget to place the O-ring accordingly. Use enclosed Allen key to secure the pump with eight (8) M4×16 DIN7380 screws.

Do not use excessive force when tightening the screws! Overtightening the screws will strip the M4 threads rendering the product useless.



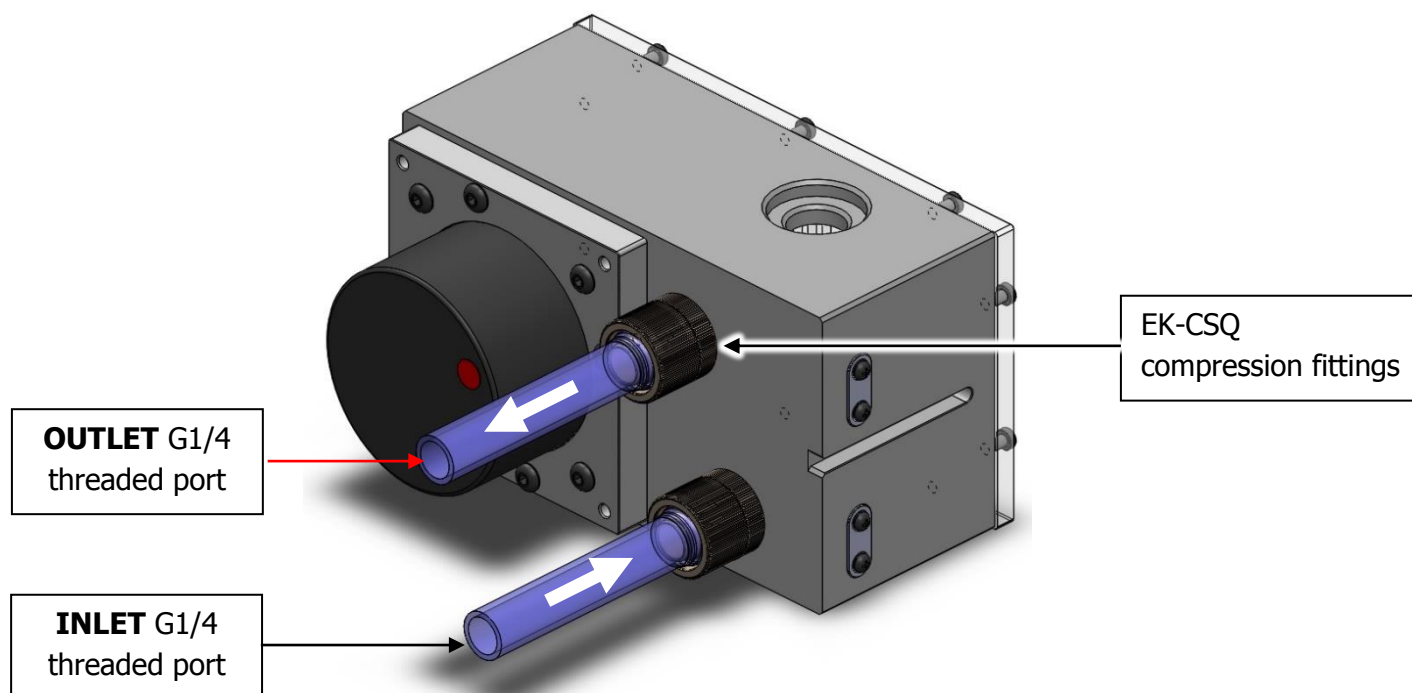
STEP 4: INSERTING THE RESERVOIR TO YOUR COMPUTER CHASSIS

This reservoir occupies two (2) 5.25" drive bay expansion slots in your computer chassis. Free two slots in case they are already occupied with other computer components such as optical- or hard disk drives. Place the reservoir in your 5.25" drive bay, with the front plate facing outwards. **After** completing **STEP 6** in this manual, secure the reservoir to the drive bay cage using the enclosed eight (8) M3x4 DIN 7985 screws with Philips head screwdriver.



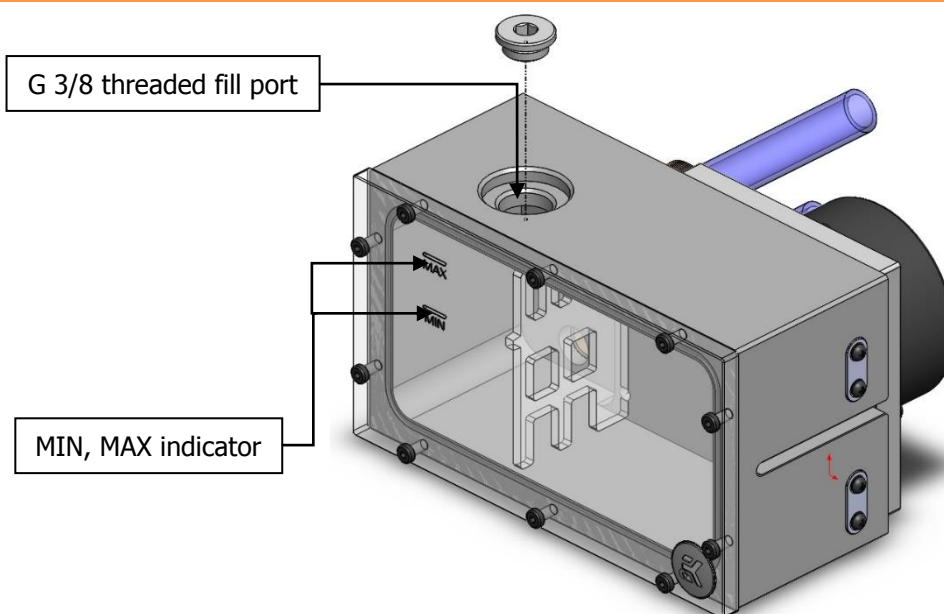
STEP 5: CONNECTING YOUR RESERVOIR

It is mandatory to use the correct INLET and OUTLET port. Please use the appropriate G1/4 threaded ports as shown on the picture below. EK recommends using EK-CSQ compression fittings for best water cooling experience.



STEP 6: FILLING THE RESERVOIR

Fill the reservoir through G3/8 threaded fill port (marked with arrow) and make sure liquid is not spilled over your computer or any electrical devices nearby. Run your pump shortly for few seconds' couple of times to make sure water floods your tubes and other water cooling components before permanently leaving the pump on. Pay attention to the water level in your reservoir. Lowest and highest recommendable water levels are indicated on the reservoir's front panel (MIN, MAX). Once done with the filling process please close your EK-BAY Res D5 reservoir with G3/8 plug and tighten the seal using enclosed Allen key (6mm). Now secure the bay reservoir with M3x4 DIN 7985 screws mentioned in **step 4**.



STEP 7: OTHER INSTRUCTIONS

VERY IMPORTANT NOTICE: Once the installation is completed, it is a recommended practice to test the cooling circuit for leaks prior to powering up the computer. We recommend a 24 hour leak test prior to powering up the computer. Do not test the water block using tap water pressure. This will rupture the top of the housing and render the block unusable (and will void your warranty). While all efforts have been made to provide the most comprehensive tutorial possible, EK Water Blocks assumes no liability expressed or implied for any consequential damage(s) occurring to your equipment as a result of using EK Water Blocks cooling products, either due to errors or omissions on our part in the above instructions, or due to failure or defect in the EK Water Blocks cooling products.

WARRANTY: Our products are warranted against defects in materials or workmanship for a period of 24 months beginning from the date of delivery to the final user. During this period, products will be repaired or have parts replaced at our discretion provided that: (I) the product is returned to the agent from whom it was purchased; (II) the product has been purchased by an end user and has not used for commercial purposes; (III) the product has not been misused, handled carelessly, or used in a manner other than in accordance with the instructions provided describing its installation and proper use. This warranty does not confer rights other than those expressly set out above and does not cover any claims for consequential loss or damage. This warranty is offered as an extra benefit and does not affect your statutory rights as a consumer. This warranty is voided if the product comes in contact with aggressive UV additives or other improper liquids.

REQUIRED TOOLS:



Philips head screwdriver