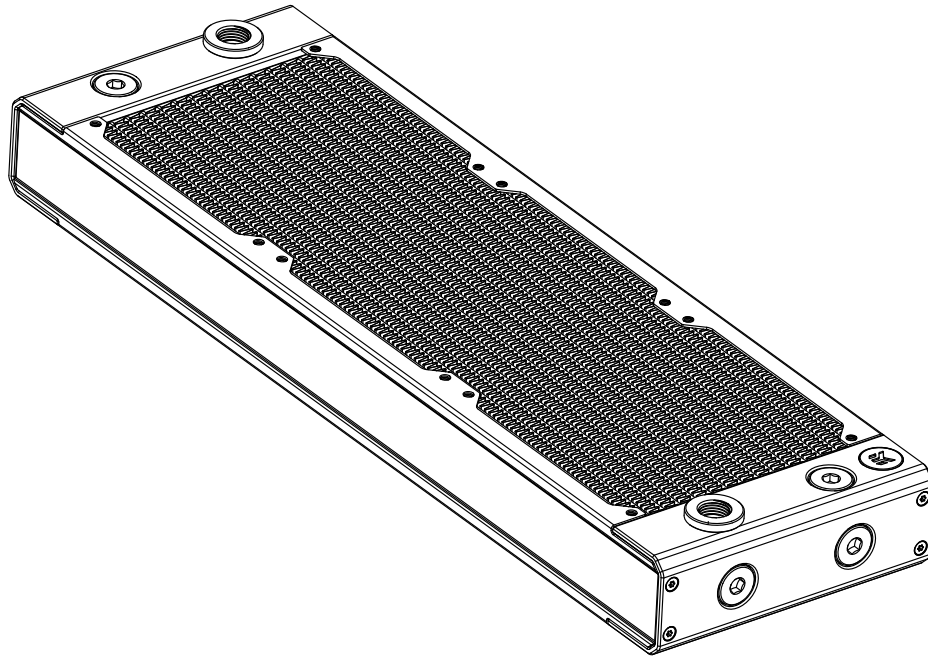


EK-Quantum Surface X-Flow Radiator Setup Configurations

RADIATOR



Please note the installation of the product is intended to be undertaken by an adequately trained and experienced person. You are installing the product at your own risk. If you are not properly trained or experienced or feel unsure about the installation procedure, please refrain from installing the product yourself and contact our tech support for assistance. We disclaim our liability for any damages to the product as well as incidental, consequential, or indirect damages incurred due to improper or inappropriate installation.

Before you start using this product, please follow these basic guidelines:

Carefully read the manual before beginning with the installation process.

EK Fittings require only a small amount of force to screw them firmly in place since the liquid seal is ensured with the rubber O-ring gaskets.

The use of quality market-proven corrosion-inhibiting coolants is always strongly recommended for any liquid cooling system.

Do not use pure distilled water as a cooling liquid! For best results, EK recommends the use of EK-CryoFuel Coolants.

TABLE OF CONTENTS

EK-QUANTUM SURFACE X-FLOW RADIATOR SETUP CONFIGURATIONS	4
CROSSFLOW CONFIGURATION 1	4
CROSSFLOW CONFIGURATION 2	5
EXPLODED VIEW OF THE REMOVABLE COMPONENTS	6
SUPPORT AND SERVICE	7
SOCIAL MEDIA	7

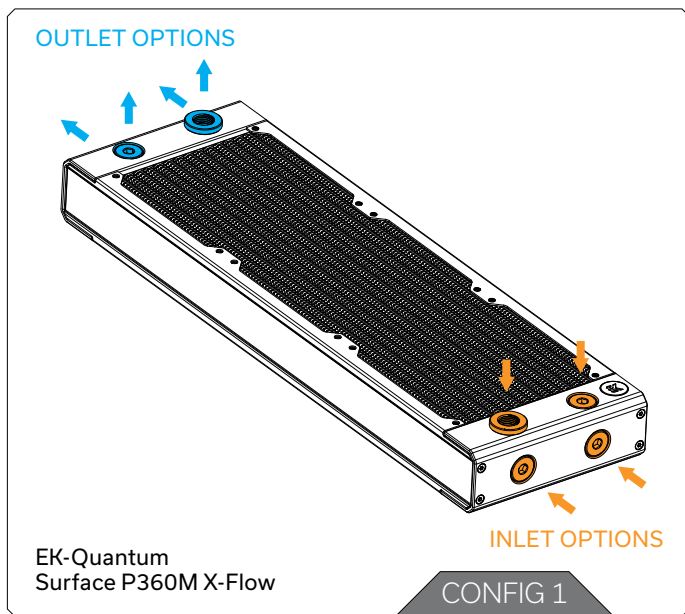
EK-QUANTUM SURFACE X-FLOW RADIATOR SETUP CONFIGURATIONS

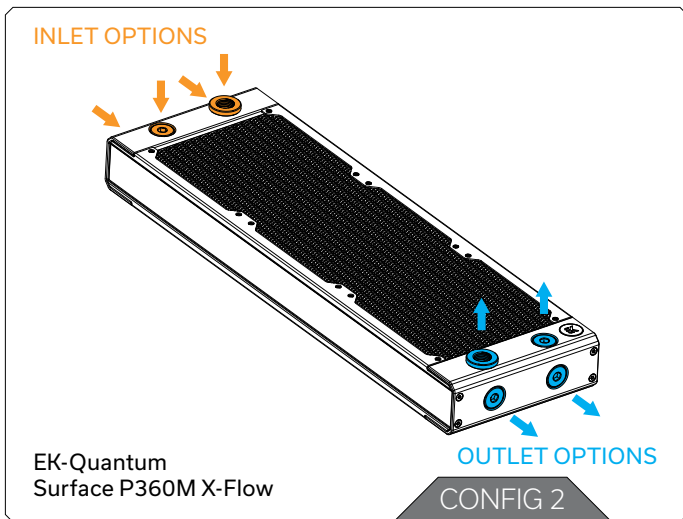


Please note that the X-flow radiators do not have a classical U-shape coolant flow (inlet and outlet only on one side of the radiator) but rather in crossflow (inlet on one side, outlet on the other side). **Crossflow port setup on the X-Flow Radiator is mandatory!** However, you can choose the direction of the crossflow in your custom loop.

CROSSFLOW CONFIGURATION 1

On the picture on the left you can see the first crossflow configuration. You have to choose at least one of the ports on each side of the radiator to be an inlet and an outlet.





CROSSFLOW CONFIGURATION 2

On the picture on the left you can see the second crossflow configuration. You have to choose at least one of the ports on each side of the radiator to be an inlet and an outlet.



It is mandatory to use the extenders on any inlet and outlet position!



If transferred from the stock position of the radiator to another, check if the extenders are tightened to avoid leakage!



EK recommends using the same number of inlets and outlets for the most optimal performance.



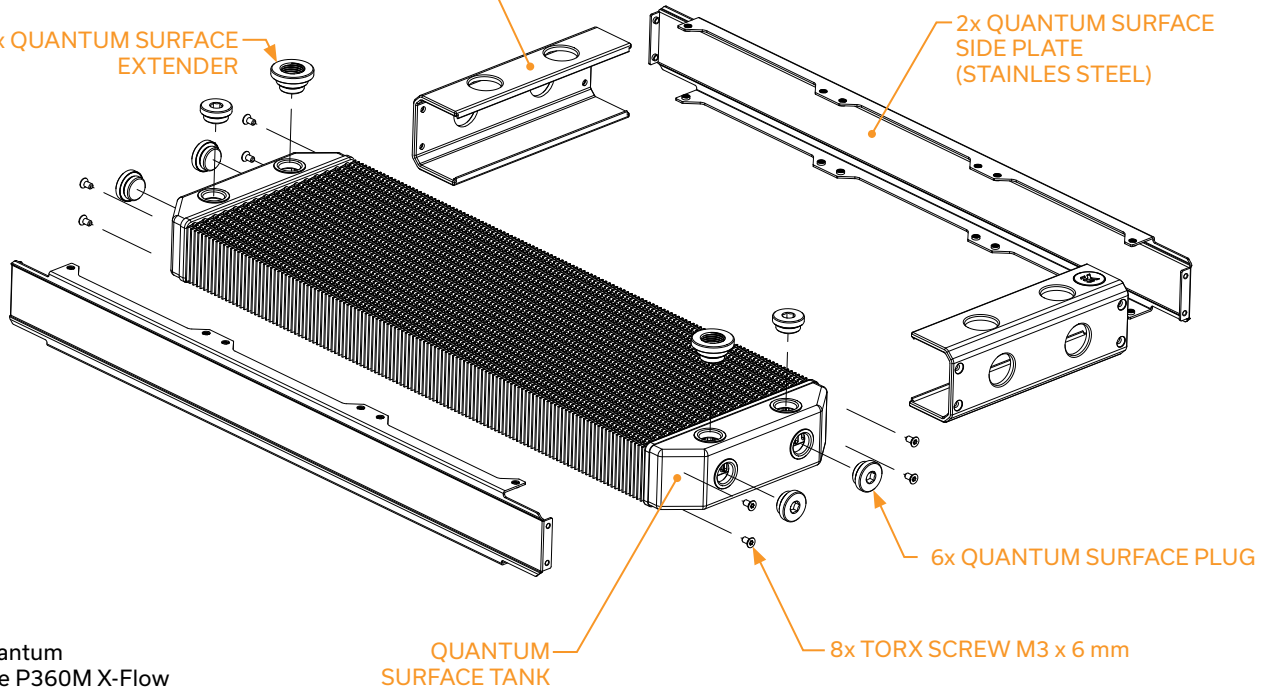
The same crossflow port setup configurations applies for all EK-Quantum Surface X-Flow radiator variants!

EXPLODED VIEW OF THE REMOVABLE COMPONENTS

2x QUANTUM SURFACE END TANK SHROUD
(ALUMINIUM)

2x QUANTUM SURFACE
EXTENDER

2x QUANTUM SURFACE
SIDE PLATE
(STAINLESS STEEL)



EK-Quantum
Surface P360M X-Flow

SUPPORT AND SERVICE


In case you need assistance, please contact:
<https://www.ekwb.com/customer-support/>

EKWB d.o.o.
Pod lipami 18
1218 Komenda
Slovenia - EU


SOCIAL MEDIA

 EKWaterBlocks

 @EKWaterBlocks

 ekwaterblocks

 EKWBofficial

 ekwaterblocks

