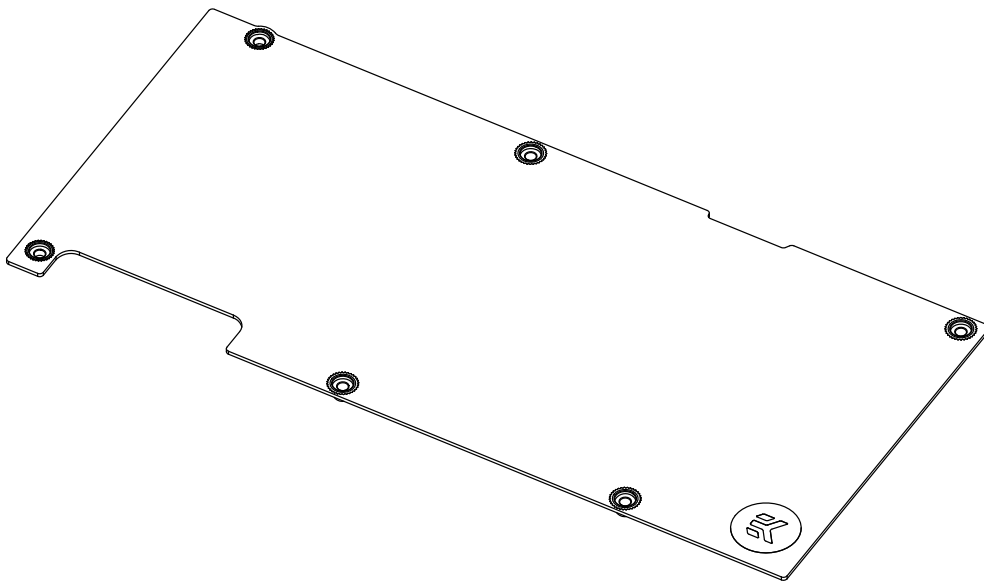


EK-AC GeForce RTX 3080 Backplate



This product is intended for installation only by expert users. Please consult with a qualified technician for installation. Improper installation may result in damage to your equipment. EK Water Blocks assumes no liability whatsoever, expressed or implied, for the use of these products, nor their installation. The following instructions are subject to change without notice. Please visit our web site at www.ekwb.com for updates.



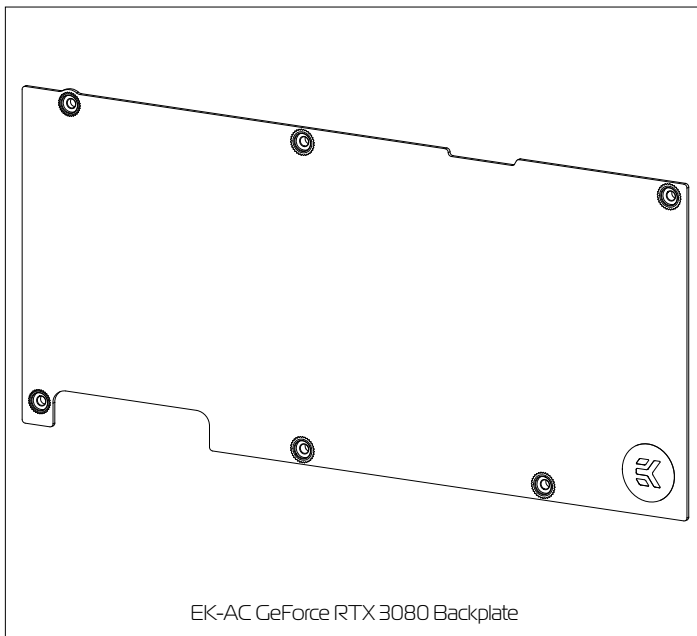
Before you start using this product, please follow these basic guidelines:

Please carefully read the manual thoroughly before beginning with the installation process!

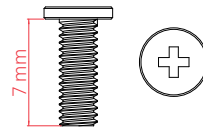
Please remove your graphics card from the computer to assure safest mounting process in order to prevent any possible damages to your GPU and/or graphics card circuit board (PCB).

TABLE OF CONTENTS

BOX CONTENTS	4
BACKPLATE DIMENSIONS	5
INSTALLING THE BACKPLATE	6
PREPARING YOUR GRAPHIC CARD.....	6
ATTACHING THE BACKPLATE.....	6
IMPORTANT DISCLOSURES	7
IMPORTANT NOTICE.....	7
WARRANTY.....	7
REQUIRED TOOLS	8
SUPPORT AND SERVICE	9
SOCIAL MEDIA	9

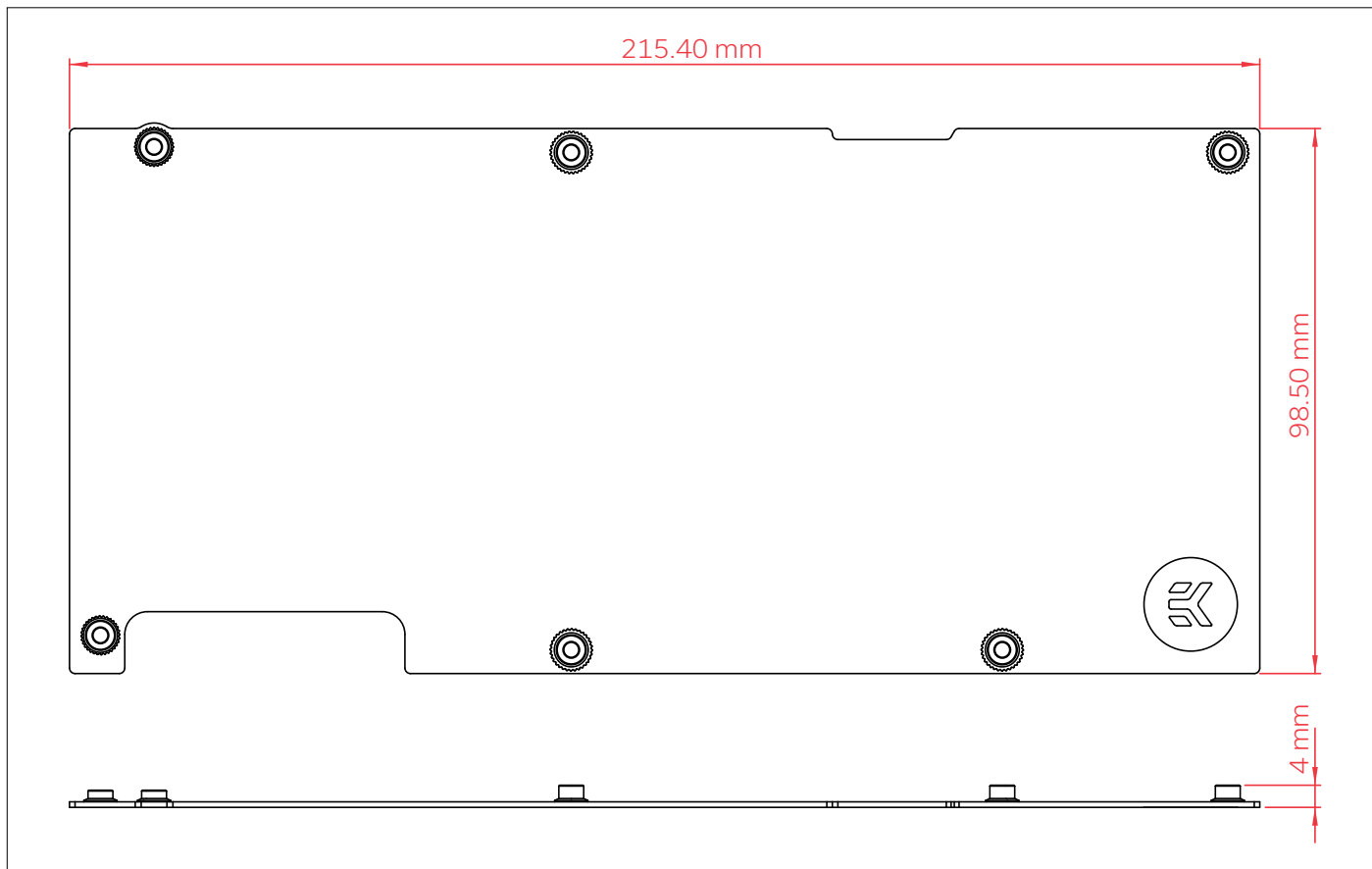


Universal Mounting Mechanism – You may not need every screw from this package.

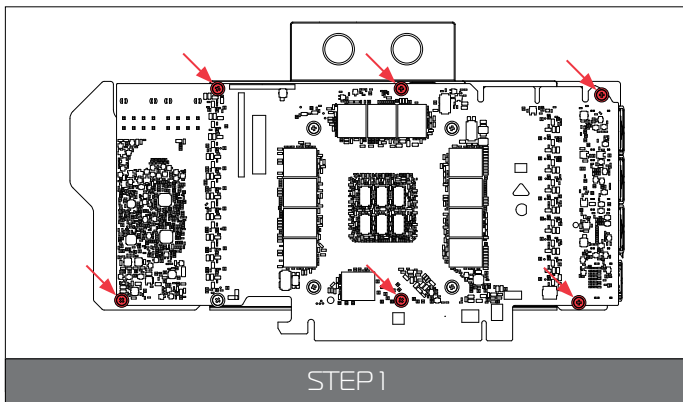


M2.5x7 AX1 Screw (8 pcs)

BACKPLATE DIMENSIONS



INSTALLING THE BACKPLATE

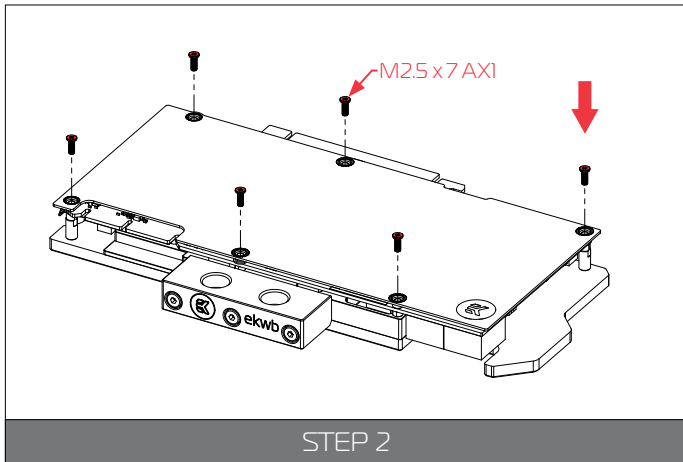


STEP 1

PREPARING YOUR GRAPHIC CARD

First complete the installation of your EK-AC GPU GeForce RTX3080/3090 water block according to its installation manual.

If water block is already installed, remove the six (6) AXI screws and their PVC washers. Mentioned screws and washers are marked in the image.



STEP 2

ATTACHING THE BACKPLATE

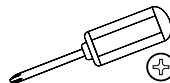
Place the backplate on to the PCB aligning all of the holes. Position an M2.5x7 AXI screw in each of the (6) mounting holes marked below and then tighten them evenly using a Phillips head screwdriver. **Do not use excessive force!**



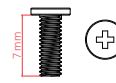
You must remove the protective foil from both sides of the Backplate before installation.

For this Step, you will need:

Phillips Head
Screwdriver



M2.5 x 7 AXI
6 pcs



IMPORTANT NOTICE

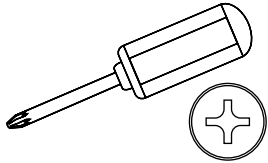
Once the installation is completed, it is a recommended practice to test the cooling circuit for leaks prior to powering up the computer. We recommend a 24 hour leak test prior to powering up the computer. Do not test the water block using city water pressure. This will rupture the top of the housing and render the block unusable (and will void your warranty). While all efforts have been made to provide the most comprehensive tutorial possible, EK Water Blocks assumes no liability expressed or implied for any consequential damage(s) occurring to your equipment as a result of using EK Water Blocks cooling products, either due to errors or omissions on our part in the above instructions, or due to failure or defect in the EK Water Blocks cooling products.

WARRANTY

Our products are warranted against defects in materials or workmanship for a period of 24 months beginning from the date of delivery to the final user. During this period, products will be repaired or have parts replaced at our discretion provided that: (I) the product is returned to the agent from whom it was purchased; (II) the product has been purchased by an end user and has not used for commercial purposes; (III) the product has not been misused, handled carelessly, or used in a manner other than in accordance with the instructions provided describing its installation and proper use. This warranty does not confer rights other than those expressly set out above and does not cover any claims for consequential loss or damage. This warranty is offered as an extra benefit and does not affect your statutory rights as a consumer. This warranty is voided if the product comes in contact with aggressive UV additives or other improper liquids. EK blocks are sealed with warranty void circular label, which proves that the block has withstood a pressure leak test. Removing it will void leak-free guarantee and not the guarantee on the product itself. Any other RMA issues can be reported to EK Support at www.ekwb.com/support for further analysis.

REQUIRED TOOLS

Phillips Head Screwdriver



SUPPORT AND SERVICE

In case you need assistance, please contact:

<http://support.ekwb.com/>

EKWB d.o.o.
Pod lipami 18
1218 Komenda
Slovenia - EU

SOCIAL MEDIA

 EKWaterBlocks

 @EKWaterBlocks

 ekwaterblocks

 EKWBofficial

 ekwaterblocks

