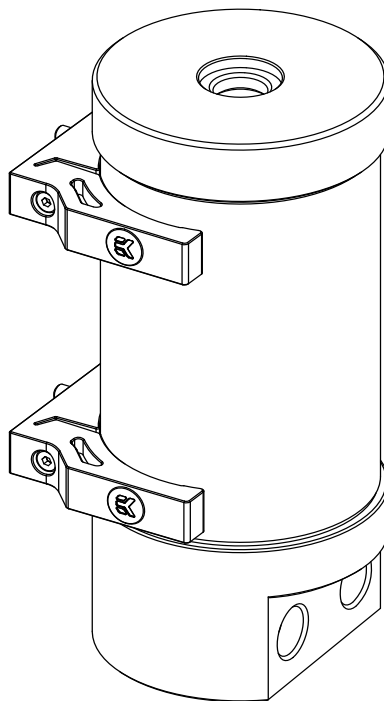


# EK-RES X3 D-RGB

RESERVOIR



This product is intended for installation by expert users only. Please consult with a qualified technician since improper installation may result in damage to the equipment. EK assumes no liability whatsoever, expressed or implied, for the use of these products, nor their installation. The following instructions are subject to change without notice. Please visit our website at [www.ekwb.com](http://www.ekwb.com) for updates.

Before you start using this product, please follow these basic guidelines:

**Carefully read the manual before beginning with the installation process.**

**EK Fittings require only a small amount of force to screw them firmly in place since the liquid seal is ensured with the rubber O-ring gaskets.**

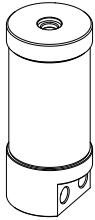
**The use of quality market-proven corrosion-inhibiting coolants is always strongly recommended for any liquid cooling system.**

**Do not use pure distilled water as a cooling liquid! For best results, EK recommends the use of EK-CryoFuel Coolants.**

# TABLE OF CONTENT

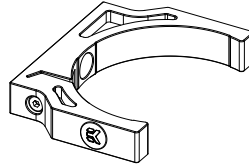
<b>BOX CONTENTS</b> .....	<b>4</b>
<b>INSTALLING THE RESERVOIR MOUNTING HOLDERS</b> .....	<b>5</b>
<b>RECOMMENDED RESERVOIR CONFIGURATION</b> .....	<b>6</b>
<b>CONNECTING THE D-RGB LED STRIP</b> .....	<b>7</b>
<b>TESTING THE LOOP</b> .....	<b>8</b>
<b>SUPPORT AND SERVICE</b> .....	<b>9</b>
<b>SOCIAL MEDIA</b> .....	<b>9</b>

## BOX CONTENTS

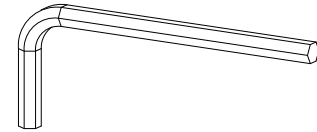


EK-RES X3 150/ 250 D-RGB

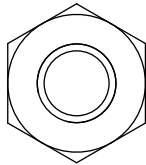
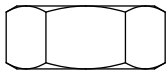
### Mounting holder



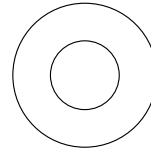
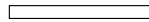
Reservoir Holder ( 2 pcs)



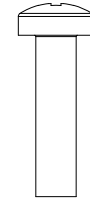
Allen Key 2.5 mm ( 1pc)



M4 nut ( 2 pcs)

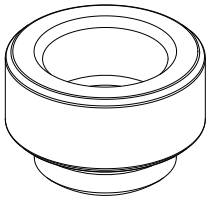


M4 Washer ( 2pcs)

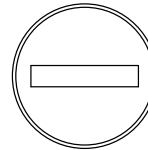
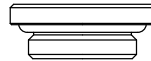


M4 Screw ( 2 pcs)

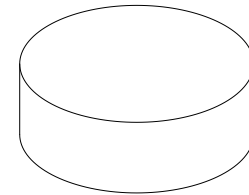
### Mounting mechanism



Extender G1/4 - Nickel ( 2 pcs)

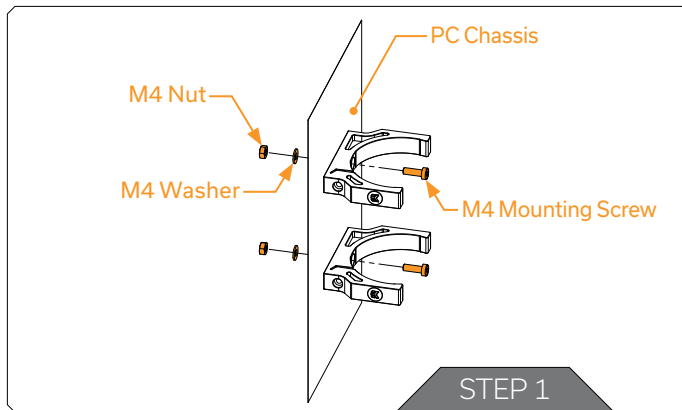


EK-Plug G1/4 Acetal ( 4 pcs)



Anti Vortex Foam (1 pc)

## INSTALLING THE RESERVOIR MOUNTING HOLDERS

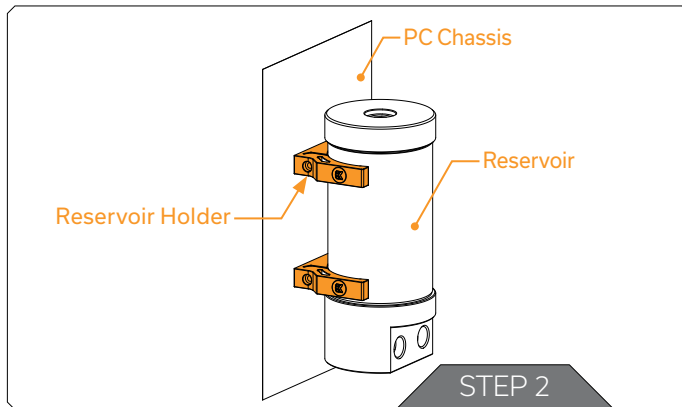


EK-RES X3 series reservoirs come with a pair of specially-made EK-Reservoir holders. These holders are meant to be installed directly on the computer chassis.

If there are no appropriate mounting holes available, you may need to drill two (2)  $\text{\O}4\text{mm}$  holes through a chassis panel with an electric power drill.

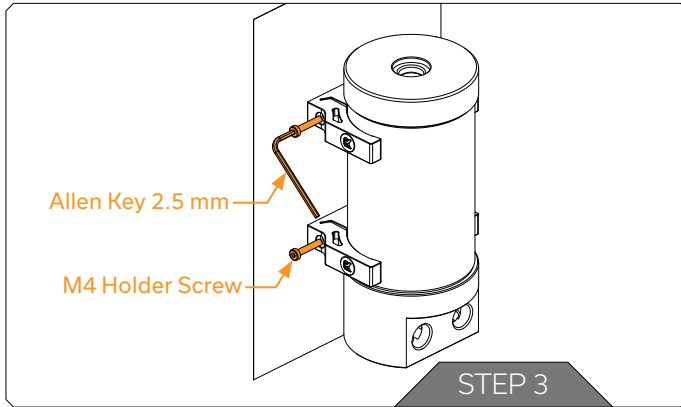
### STEP 1

Use the enclosed M4 screw, washer, and nut to mount the reservoir holder through the pre-drilled hole on the computer chassis (as shown in the picture).



### STEP 2

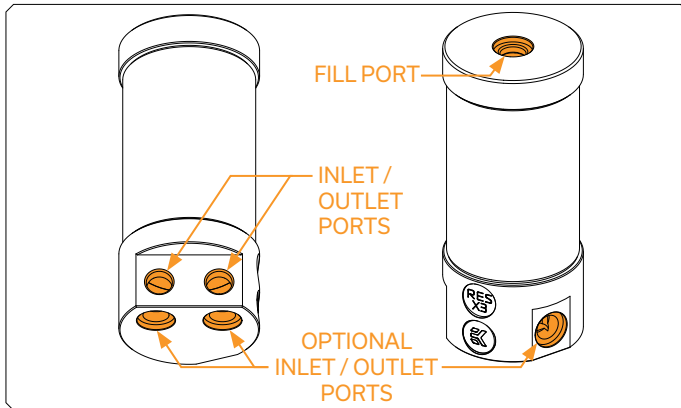
Install the reservoir on the reservoir holders. Using just a slight force is enough for the reservoir to “click” into position. The clamps should always hold onto the acrylic tube, not the acetal top or bottom.



### STEP 3

Once the reservoir is in place, use the enclosed 2.5mm Allen key to tighten the hex head screw to secure the reservoir. Do not apply too much force. Partially unscrew that same screw when removing the reservoir.

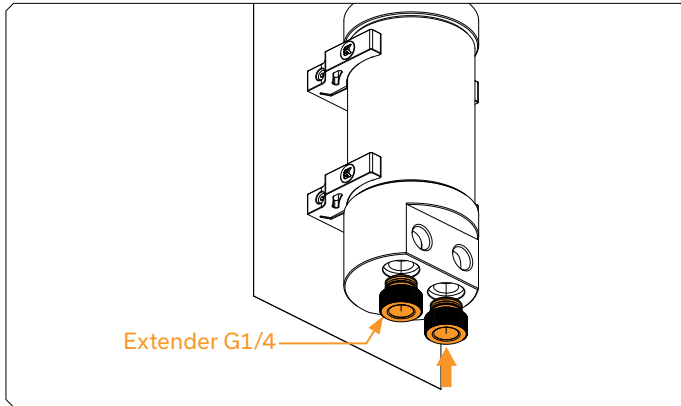
## RECOMMENDED RESERVOIR CONFIGURATION



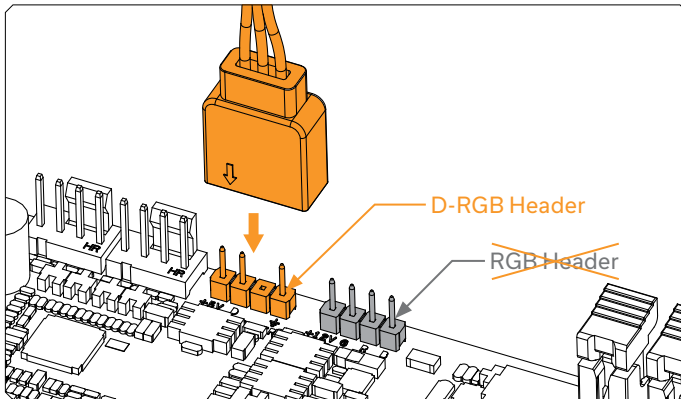
EK-RES X3 reservoir features five (5) G1/4 threaded Inlet/Outlet openings on its bottom and the additional one on the reservoir top. **The top port can only be used as a fill port.**

**For the reservoir to function properly, one port must be used as an Inlet and the other as an Outlet. Unused ports must be closed with plugs using a 6mm Allen key.**

When using optional Inlet and Outlet ports, it is mandatory to use the enclosed EK-Extender G1/4 since these ports are recessed into the plastic reservoir bottom.



## CONNECTING THE D-RGB LED STRIP



Plug the 3-pin connector from the reservoir D-RGB LED light into the **D-RGB Header** on the motherboard. The LEDs will work if the pin layout on the header is as follows: **+5V, Data, Empty, Ground**.

## TESTING THE LOOP

To make sure the installation of EK components was successful, we recommend you perform a 24-hour leak test.

When your loop is complete and filled with coolant, connect the pump to a PSU outside of your system. Do not connect power to any of the other components. Turn on the PSU and let the pump run continuously.

Inspect all parts of the loop, and in case the coolant leaks, fix the issue and repeat the testing process. To prevent possible damage, please ensure that all hardware is dry before the system is powered on.




## SUPPORT AND SERVICE

In case you need assistance, please contact:


<http://support.ekwb.com/>

EKWB d.o.o.  
Pod lipami 18  
1218 Komenda  
Slovenia - EU


## SOCIAL MEDIA

 EKWaterBlocks

 @EKWaterBlocks

 ekwaterblocks

 EKWBofficial

 ekwaterblocks

