



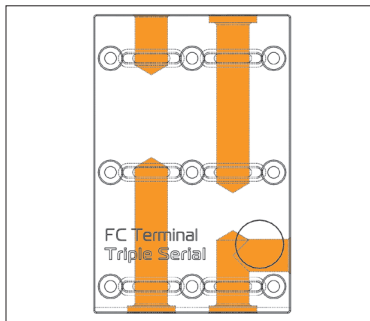
ekwb

3rd revision, Jan 25th 2017

EK-FC Terminal

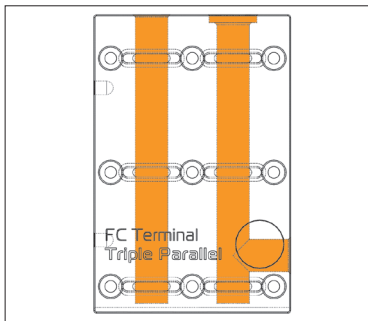
USER GUIDE

GENERAL INFORMATION: SERIAL VS PARALLEL



Serial or successive flow:

Water starts flowing initially through first block, continues to second block and ends up with the third block. Whole system flow is lower compared to parallel flow due to higher restriction.



Parallel flow:

Water flows through all blocks simultaneously. With such configuration each water block gets one third of all flow. Total system flow is higher compared to serial or successive flow.

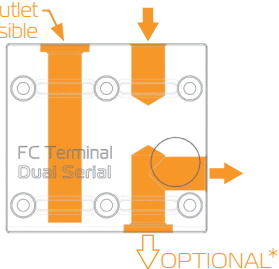
CHOOSING INLET AND OUTLET PORT

It is of highest importance to use correct inlet and outlet port configuration. Not using the correct ports may result in water bypassing the water blocks instead of flowing through the water blocks.

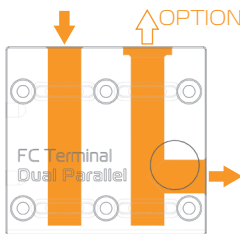


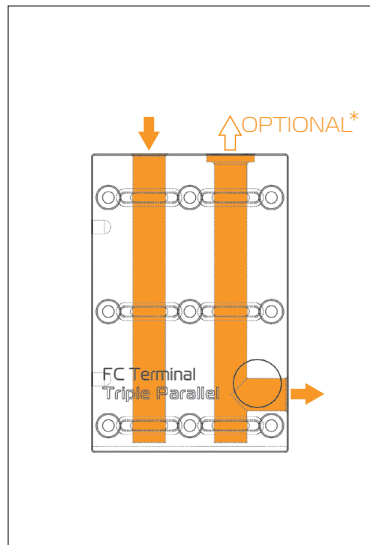
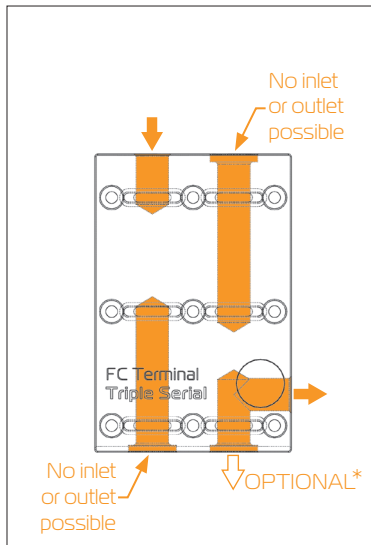
As a result the bypassed graphics card will overheat and may get damaged beyond repair!

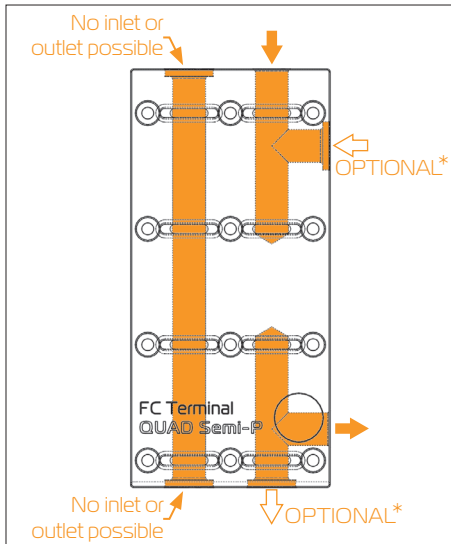
No inlet
or outlet
possible



OPTIONAL*

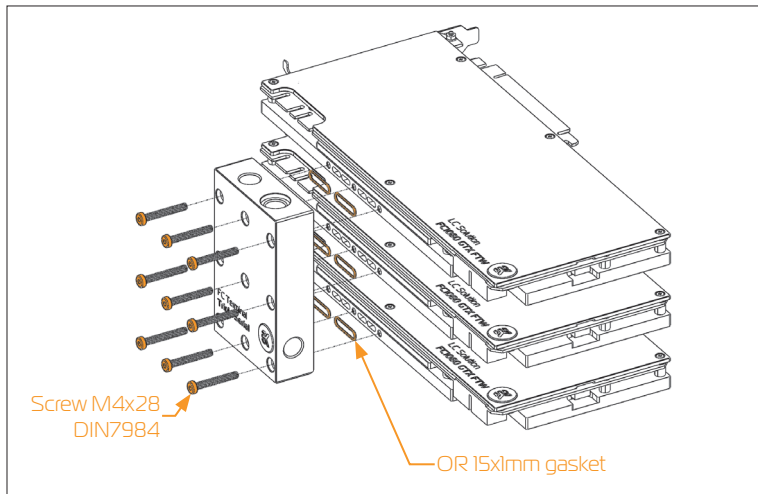






* Every optional hole can be used with EK-Extender G1/4 – Nickel
 EAN: 3831109845165

ATTACHING THE EK-FC TERMINAL



Please take the following steps for installing any EK-FC Terminal interconnect to your graphics cards water blocks:

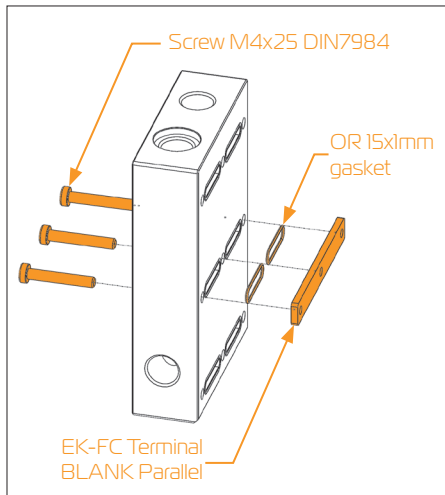
1. Remove the pre-installed Terminal from the water block. Unfasten the three (3) M4 screws using Allen (hex) key 2.5mm.



Save the O-ring gaskets and M4 Screws (mentioned in the first paragraph) from the FC Single Terminal.

2. Install the gaskets (OR 15x1mm) in grooved slots on your new EK-FC Terminal interconnect. Make sure the gaskets are installed correctly! Each water block or blank link requires two (2) gaskets!
3. Secure the new EK-FC Terminal to each water block using original screws (that came with the water block itself) using enclosed Allen (hex) key 2.5mm.
4. If necessary, plug all unused Terminal ports using appropriate EK-FC Terminal Blank Links (Serial or Parallel – depending on the type of your interconnect). Please consult page 7 and page 8 of this manual.
5. Plug all the remaining unused G1/4 threaded ports, if any, using Allen (hex) key 6mm and install your connector fittings for both inlet and outlet.«

ATTACHING THE EK-FC TERMINAL BLANK PARALLEL

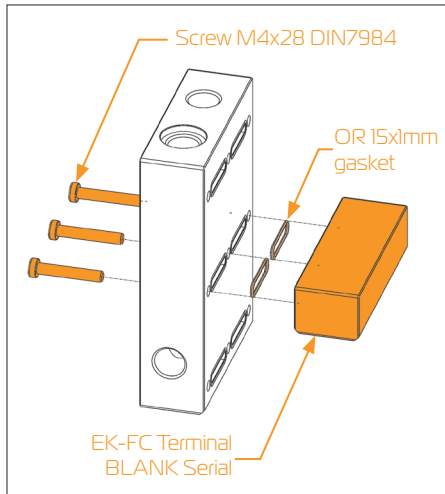


Tighten the three (3) enclosed M4x25 DIN7984 screws to EK-FC Terminal BLANK Parallel using Allen (hex) key 2.5mm.



Make sure the small OR 15x1mm gaskets are correctly installed! Pay attention the placement and make sure they are not pinched in any way in order to avoid leaking!

ATTACHING THE EK-FC TERMINAL BLANK SERIAL

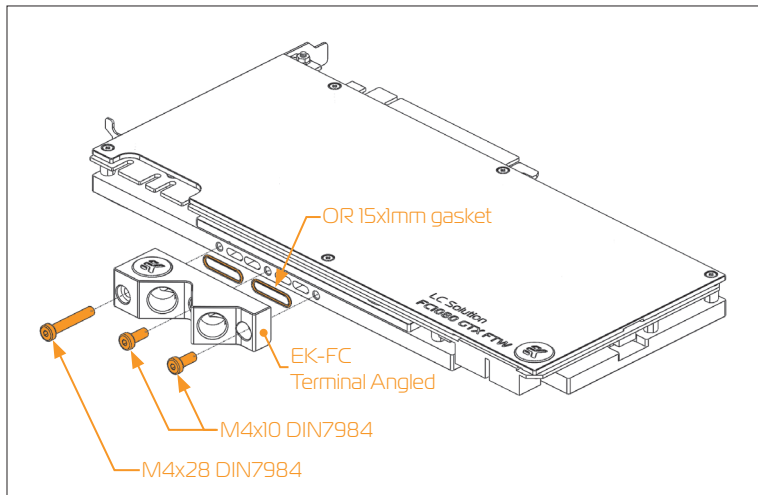


Tighten the three (3) enclosed M4x28 DIN7984 screws to EK-FC Terminal BLANK Serial using Allen (hex) key 2.5mm.

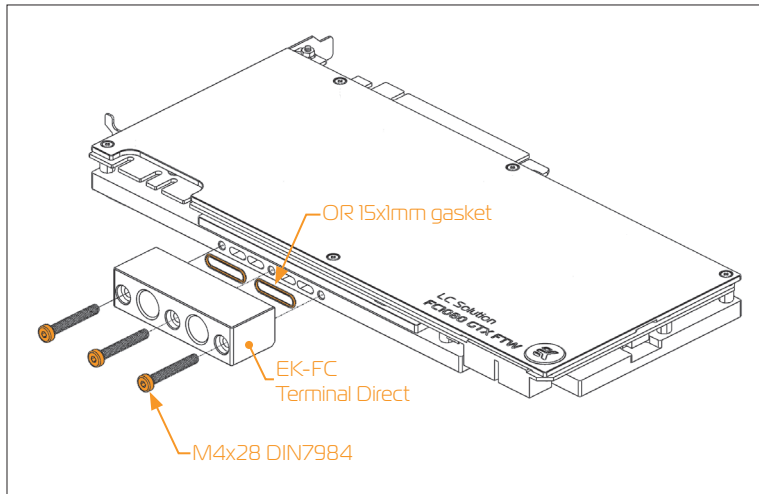


Make sure the small OR 15x1mm gaskets are correctly installed! Pay attention the placement and make sure they are not pinched in any way in order to avoid leaking!

ATTACHING THE EK-FC TERMINAL ANGLED



ATTACHING THE EK-FC TERMINAL DIRECT



ATTACHING THE EK-FC TERMINAL ROTARY 90°

