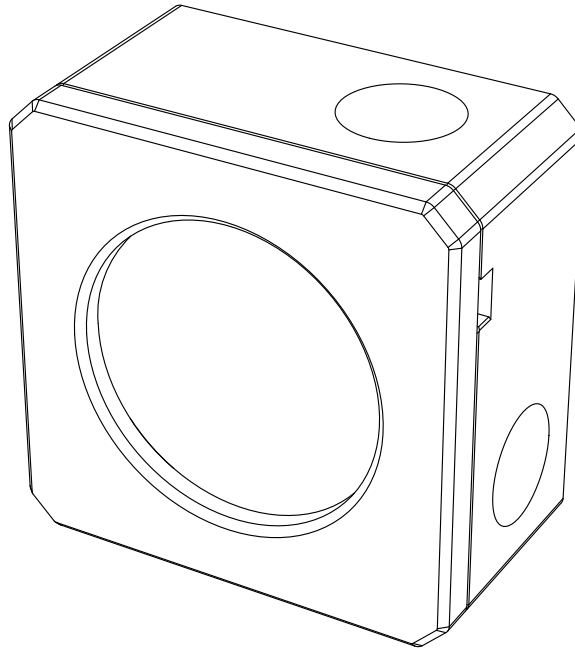


EK-Quantum Flow Indicator D-RGB



This product is intended for installation by expert users only. Please consult with a qualified technician since improper installation may result in damage to the equipment. EK assumes no liability whatsoever, expressed or implied, for the use of these products, nor their installation. The following instructions are subject to change without notice. Please visit our website at www.ekwb.com for updates.

Before you start using this product, please follow these basic guidelines:

Carefully read the manual before beginning with the installation process.

EK Fittings require only a small amount of force to screw them firmly in place since the liquid seal is ensured with the rubber O-ring gaskets.

The use of quality market-proven corrosion-inhibiting coolants is always strongly recommended for any liquid cooling system.

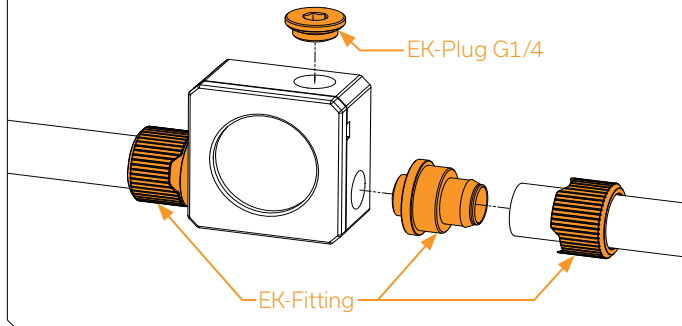
Do not use pure distilled water as a cooling liquid! For best results, EK recommends the use of EK-CryoFuel Coolants.

TABLE OF CONTENTS

INSTALLING THE EK-QUANTUM FLOW INDICATOR D-RGB	4
CONNECTING THE D-RGB LED STRIP	5
SUPPORT AND SERVICE	6
SOCIAL MEDIA	6

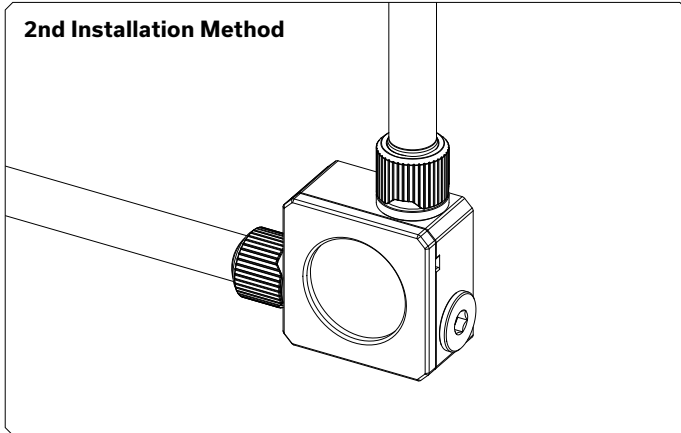
INSTALLING THE EK-QUANTUM FLOW INDICATOR D-RGB

1st Installation Method

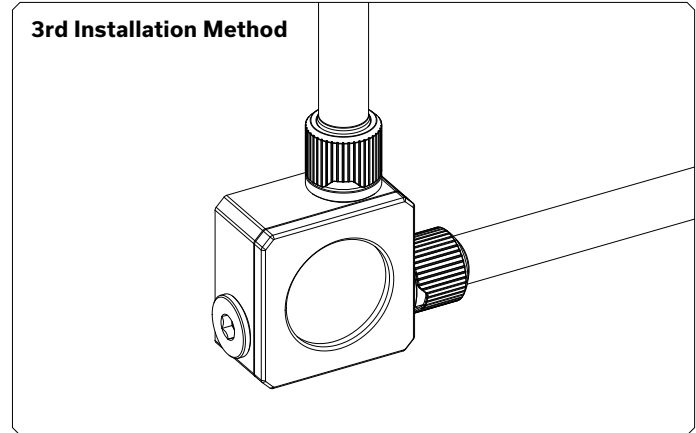


Mounting of the Flow Indicator is possible anywhere in the loop. Any port can be used as an INLET or OUTLET port. The remaining unused port **MUST** be closed with an ordinary or a thermal sensor plug (which will measure the coolant temperature and seal the loop).

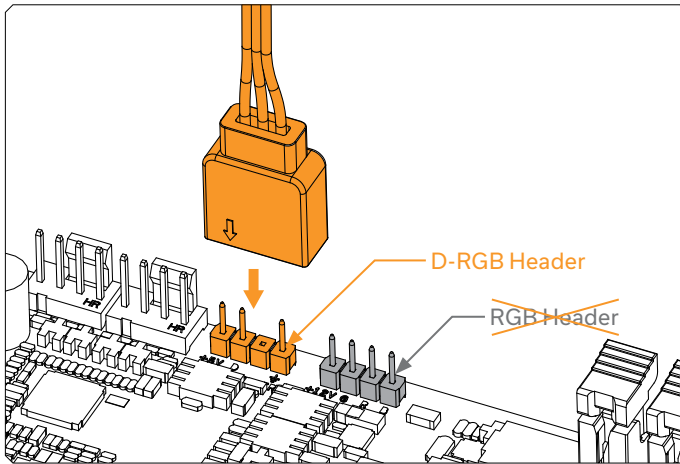
2nd Installation Method



3rd Installation Method



CONNECTING THE D-RGB LED STRIP



Connect the 3-pin D-RGB LED connector from your Flow Indicator to the D-RGB header on your motherboard or controller. The lights will work if the pin layout on the header is as follows: **+5V, Data, Empty, Ground**.



Incorrect installation or choosing the incorrect header may result in damage to the LED Strip or the header itself.

SUPPORT AND SERVICE

In case you need assistance, please contact:


<http://support.ekwb.com/>

EKWB d.o.o.
Pod lipami 18
1218 Komenda
Slovenia - EU


SOCIAL MEDIA

 EKWaterBlocks

 @EKWaterBlocks

 ekwaterblocks

 EKWBofficial

 ekwaterblocks

