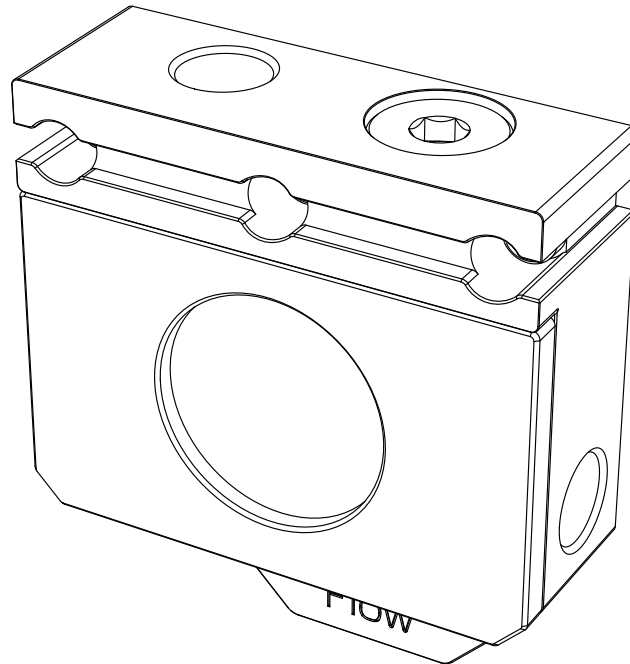


EK-Quantum Scalar Flow Indicator Top-Bottom D-RGB



This product is intended for installation by expert users only. Please consult with a qualified technician since improper installation may result in damage to the equipment. EK assumes no liability whatsoever, expressed or implied, for the use of these products, nor their installation. The following instructions are subject to change without notice. Please visit our website at www.ekwb.com for updates.

Before you start using this product, please follow these basic guidelines:

Carefully read the manual before beginning with the installation process.

EK Fittings require only a small amount of force to screw them firmly in place since the liquid seal is ensured with the rubber O-ring gaskets.

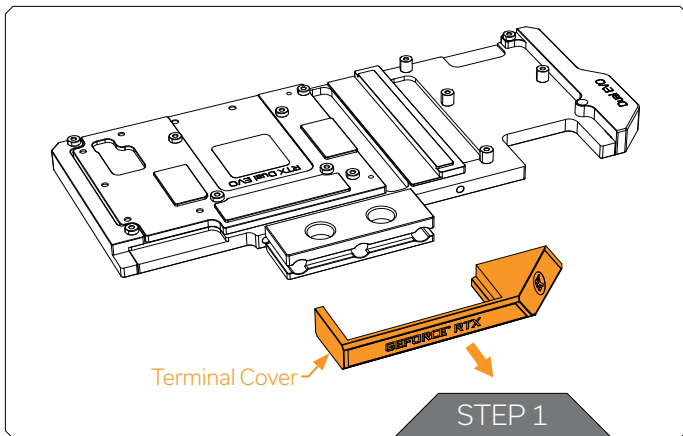
The use of quality market-proven corrosion-inhibiting coolants is always strongly recommended for any liquid cooling system.

Do not use pure distilled water as a cooling liquid! For best results, EK recommends the use of EK-CryoFuel Coolants.

TABLE OF CONTENTS

INSTALLING THE EK-QUANTUM SCALAR FLOW INDICATOR TOP-BOTTOM D-RGB	4
CONNECTING THE D-RGB LED STRIP	7
SUPPORT AND SERVICE	8
SOCIAL MEDIA	8

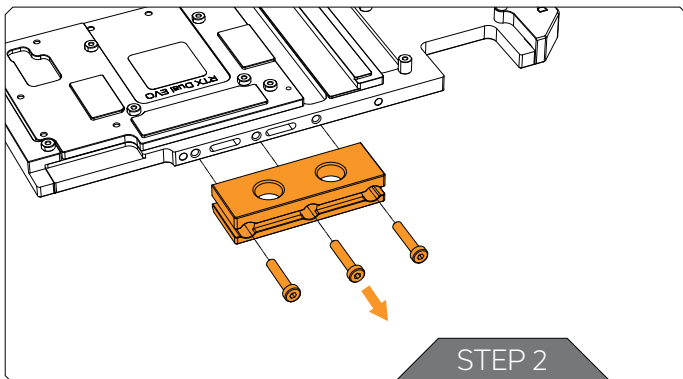
INSTALLING THE EK-QUANTUM SCALAR FLOW INDICATOR TOP-BOTTOM D-RGB



STEP 1

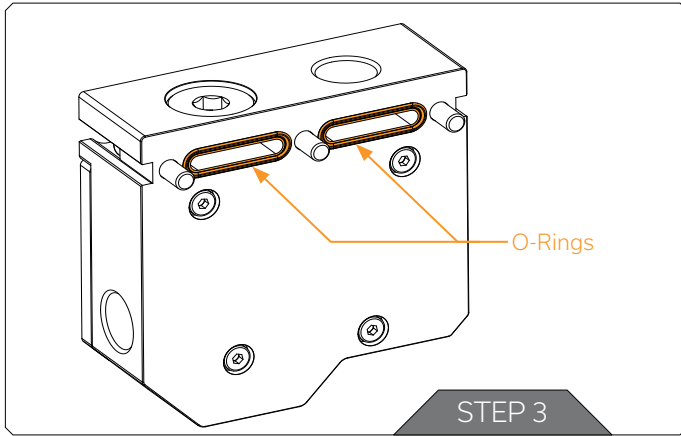
Carefully detach the terminal cover together with LEDs from the GPU terminal. The latest EK water blocks come with no screws – all you have to do is pull the cover away from the terminal. With the older water block series, you may have to unscrew two screws (M4x8) to remove the cover.

The cover can hang from the LEDs cable during installation, but be careful not to pull on it.



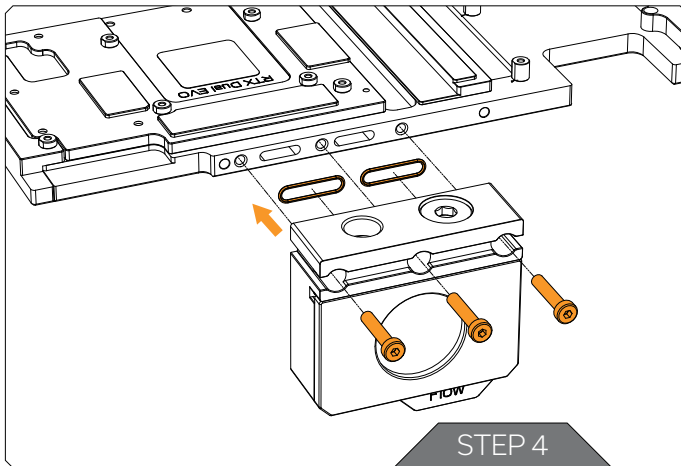
STEP 2

Remove your GPU water block's terminal. Unscrew the three screws and remove the terminal from the GPU water block.



STEP 3

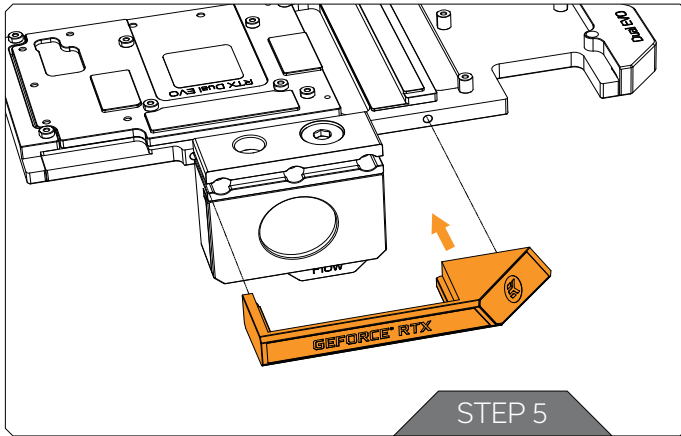
Insert the two enclosed O-rings into the appropriate grooves on the backside of the Flow Indicator.



STEP 4

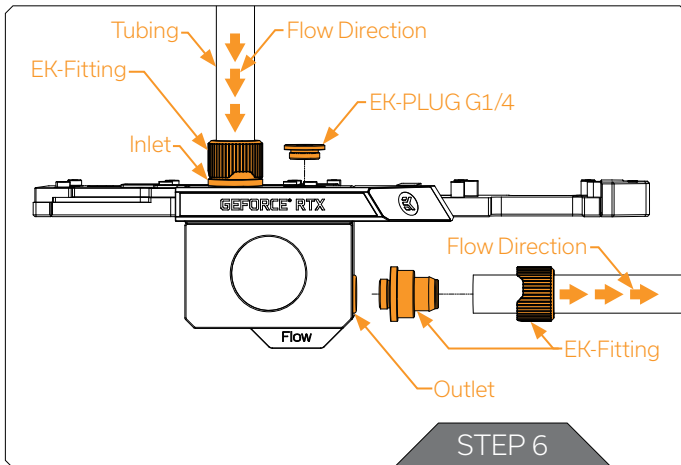
Use the three enclosed screws to attach the Flow Indicator (together with O-rings) to the water block. Be careful not to use excessive force when tightening the screws (ideal screwing torque is 0.5-0.7 Nm).

Also, make sure the O-rings are well placed inside the grooves, so you won't pinch them when screwing the Flow Indicator to the water block.



STEP 5

Reattach the terminal cover to the Flow Indicator. **Be careful not to pinch the cable.**

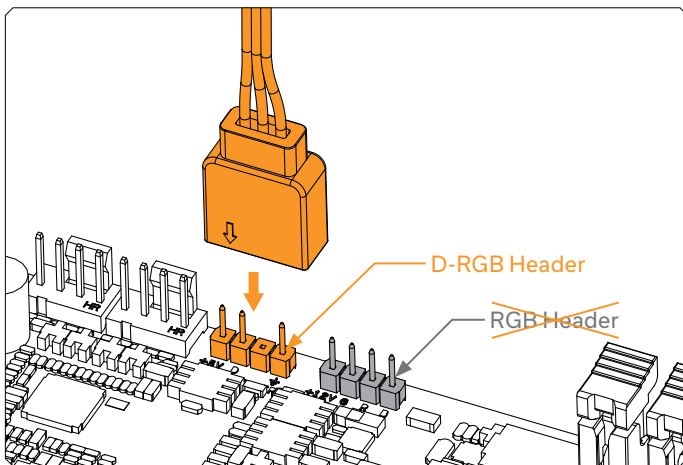


STEP 6

In order to complete the loop, all ports should be used as marked in the picture. Make sure to use the correct inlet and outlet ports. EK recommends EK Classic and EK Torque series fittings.

Make sure an EK plug is used, as shown in the picture.

CONNECTING THE D-RGB LED STRIP



Connect the 3-pin D-RGB LED connector from your Flow Indicator to the D-RGB header on your motherboard or controller. The lights will work if the pin layout on the header is as follows: **+5V, Data, Empty, Ground**.



Incorrect installation or choosing the incorrect header may result in damage to the LED Strip or the header itself.


SUPPORT AND SERVICE

In case you need assistance, please contact:

<http://support.ekwb.com/>

EKWB d.o.o.
Pod lipami 18
1218 Komenda
Slovenia - EU


SOCIAL MEDIA

 EKWaterBlocks

 @EKWaterBlocks

 ekwaterblocks

 EKWBofficial

 ekwaterblocks

