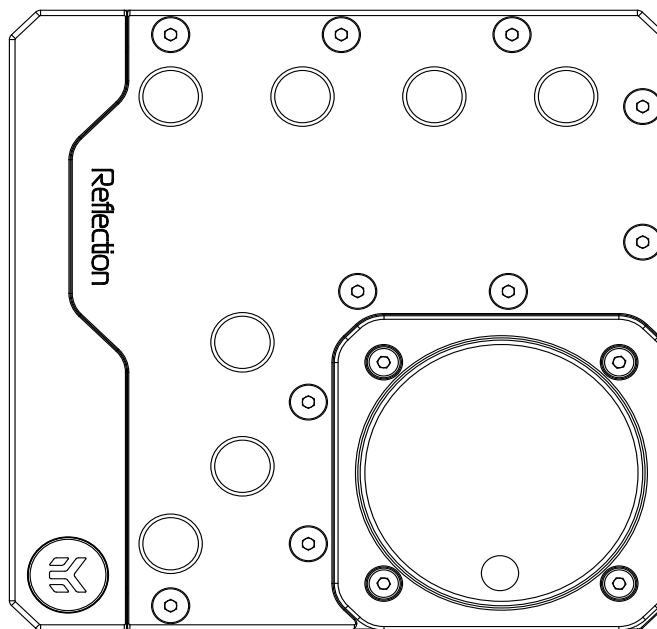


EK-Quantum Reflection Uni 140 D5 PWM D-RGB



There are many ways to install and configure the Reflection UNI 140, it can be mounted to any 140mm fan position with standard 125x125mm hole spacing the same as all EK 140mm fans and radiators. The threads in this product are M4 with a maximum penetration of 8mm, use of longer or improper screws may permanently damage the product!

Before you start using this product please follow these basic guidelines:

Please carefully read the manual before beginning with the installation process!

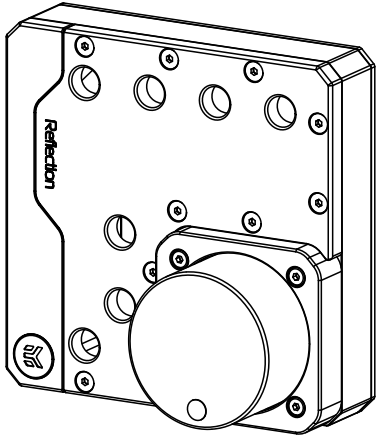
The EK fittings require only a small amount of force to screw them firmly in place since the liquid seal is ensured by the rubber o-ring gaskets.

The use of corrosion inhibiting coolants is always recommended for any liquid cooling system. EKWB recommends any of the EK-Cryofuel for worry-free usage.

TABLE OF CONTENT

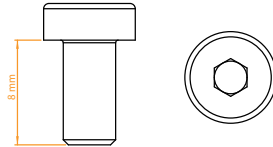
BOX CONTENTS	4
MOUNTING INFORMATION	5
INSTALLING EK-QUANTUM REFLECTION UNI 140 D5 PWM D-RGB	6
RECOMMENDED CONFIGURATIONS	7
CONNECTING THE D-RGB LED STRIP	10
CONNECTING THE PUMP	10
CONNECTING THE PUMP - MOLEX CONNECTOR.....	10
CONNECTING THE PUMP - SATA CONNECTOR.....	11
TESTING THE LOOP	11
SUPPORT AND SERVICE	12
SOCIAL MEDIA	12

BOX CONTENTS

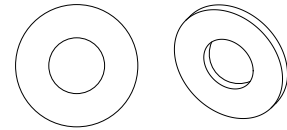


EK-Quantum Reflection Uni 140
D5 PWM D-RGB

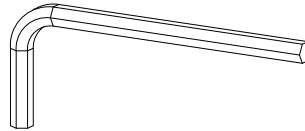
Bag content: Bag content is universal, you may not need all screws.



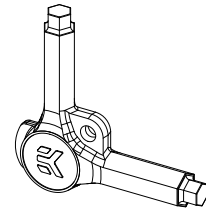
M4 x 8 Screw DIN7984 (5 pcs)



M4 PVC Washer (5 pcs)

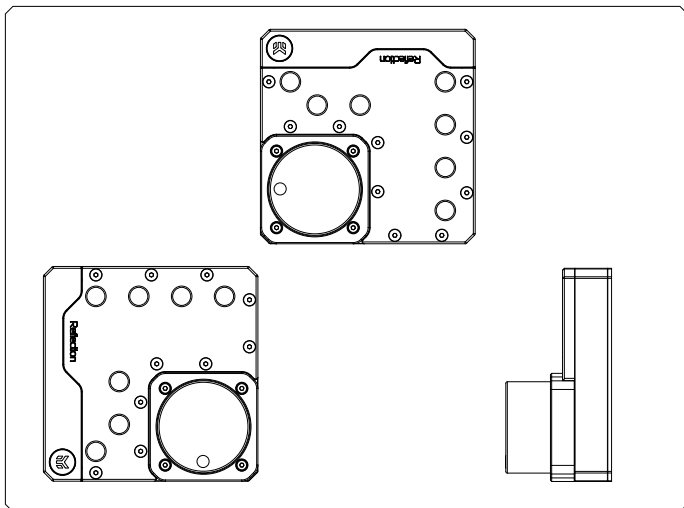


Allen Key 2.5 mm (1 pc)

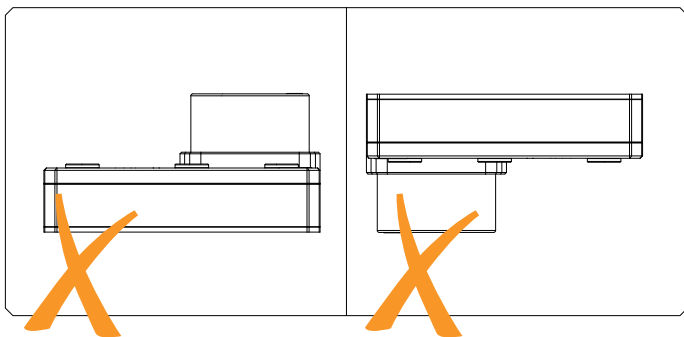


EK-Loop Multi Allen Key

MOUNTING INFORMATION

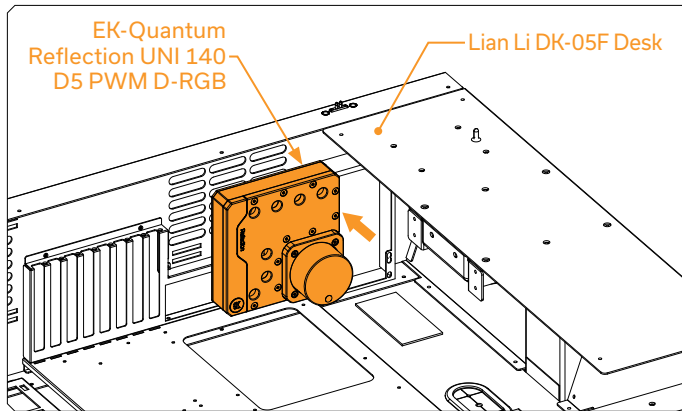


The Reflection UNI 140 can be mounted to any standard 140mm mount (125x125mm) using the supplied M4 screws. However, it must always be mounted vertically, to assist with filling and bleeding it is optimal to keep the pump in the lowest possible position as shown here:

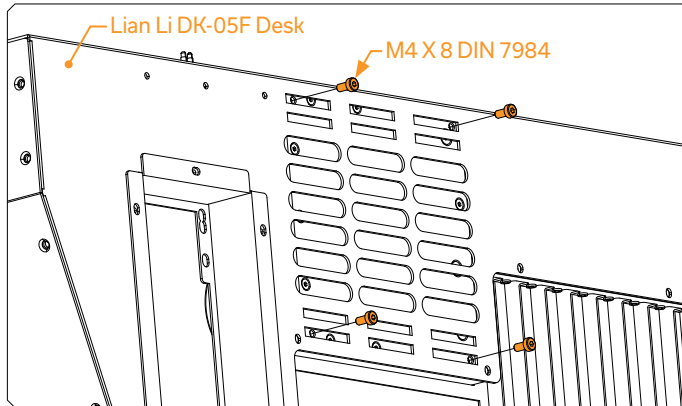


Never mount or operate EK-Quantum Reflection UNI 140 D5 PWM D-RGB horizontally as this would allow air to accumulate in the pump causing permanent damage to the bearing and motor.

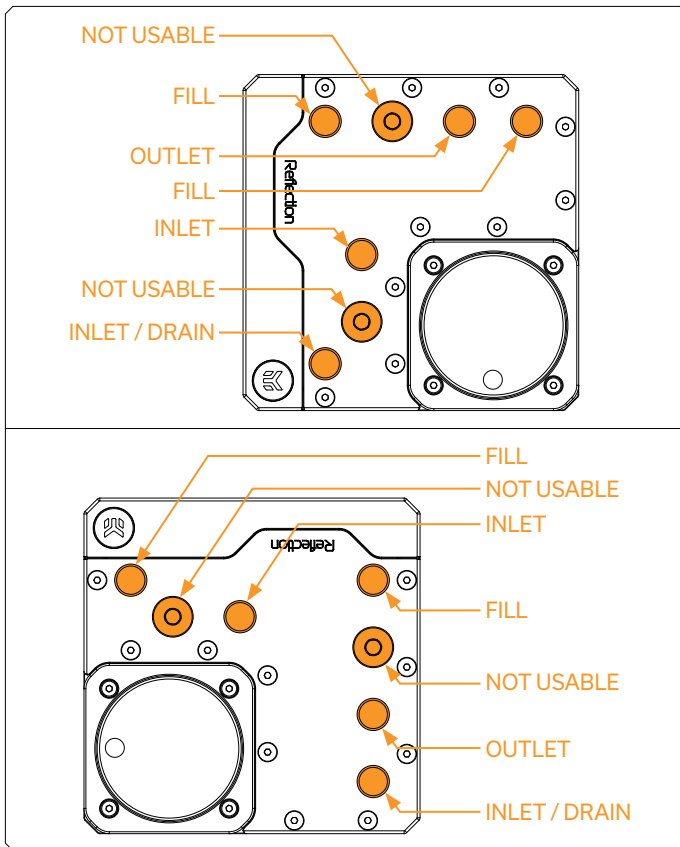
INSTALLING EK-QUANTUM REFLECTION UNI 140 D5 PWM D-RGB



Using the included M4 screws you can mount the Reflection UNI 140 directly to your chassis or any other 140mm fan mounting location.



RECOMMENDED CONFIGURATIONS



The EK-Loop Multi Allen Key (6mm, 8mm, 9mm) may be used to install all EK fittings, do not use excessive force. All unused ports should be blocked using G1/4 plugs.

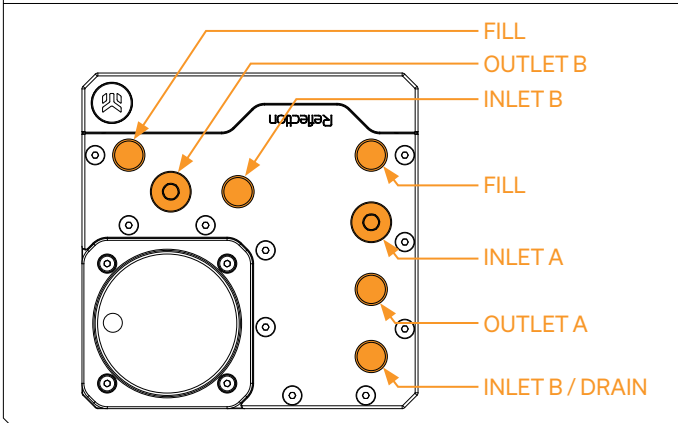
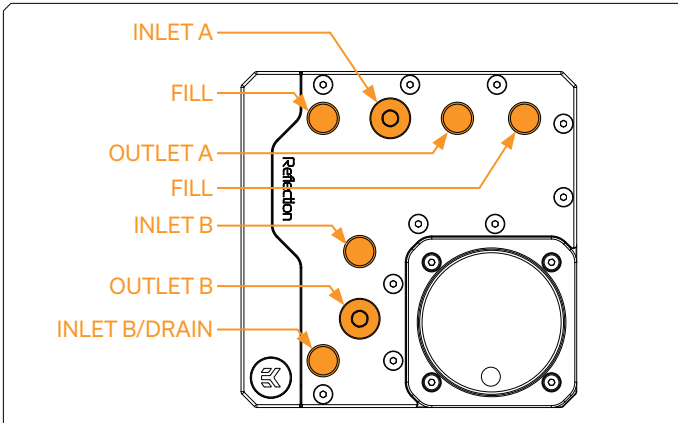
Using EK-Quantum Reflection UNI 140 D5 PWM D-RGB as a PUMP/RES Combo:

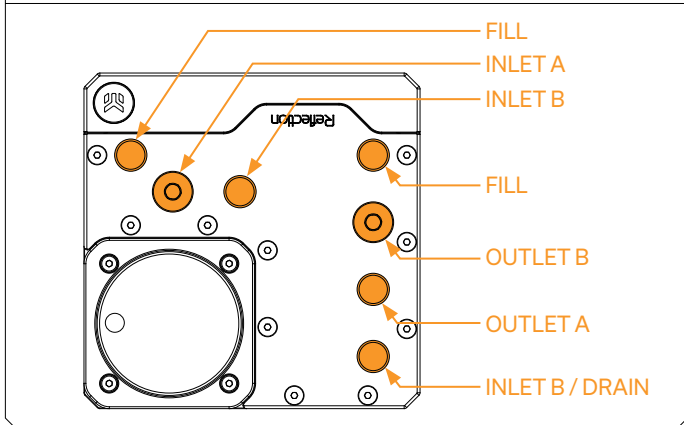
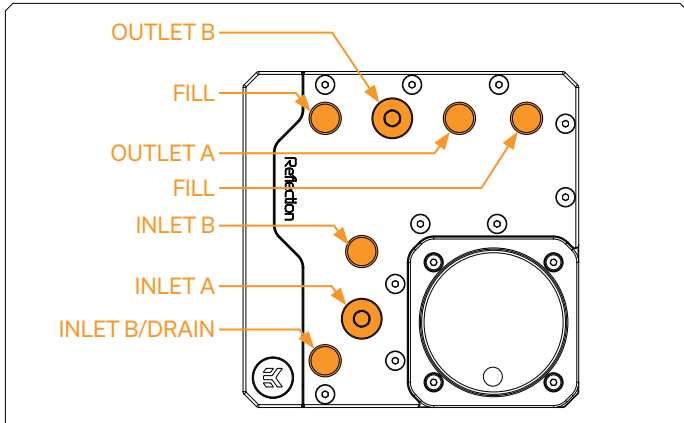
When using the Reflection UNI 140 as a pump/res combo in any orientation there is only one possible outlet port! Two of the ports cannot be used and must be plugged as shown below!

Using EK-Quantum Reflection UNI 140 D5 PWM D-RGB as a distribution plate:

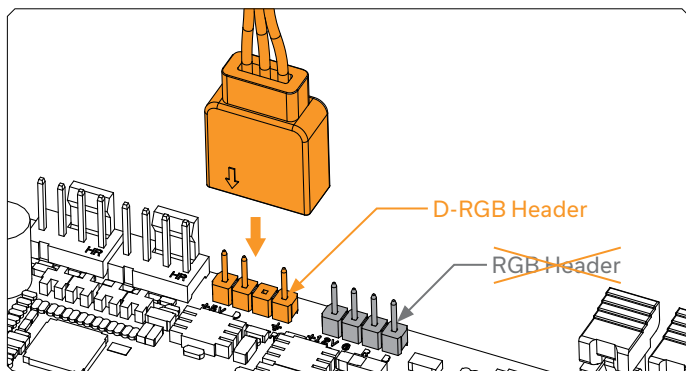
If components will only be connected to 2 of the ports, please observe pump/res combo configurations!

There are 2 sets of Inlet and Outlet ports (A and B) that are linked in series, each pair may be used to connect one or multiple components in series or parallel as required. Components in Set A must return to Inlet A where the coolant passes directly to Outlet B. The components in Set B may return to any Inlet B position.



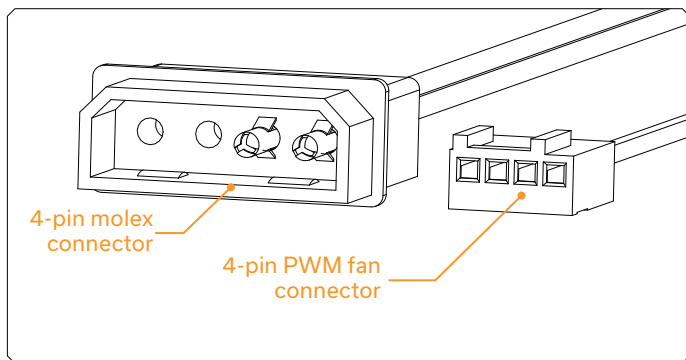


CONNECTING THE D-RGB LED STRIP



Plug the 3-pin connector of the distribution plate D-RGB LED light to the D-RGB HEADER on the motherboard. The LED will work if the pin layout on the header is as follows: **+5V, Digital, Empty, Ground.**

CONNECTING THE PUMP



CONNECTING THE PUMP – MOLEX CONNECTOR

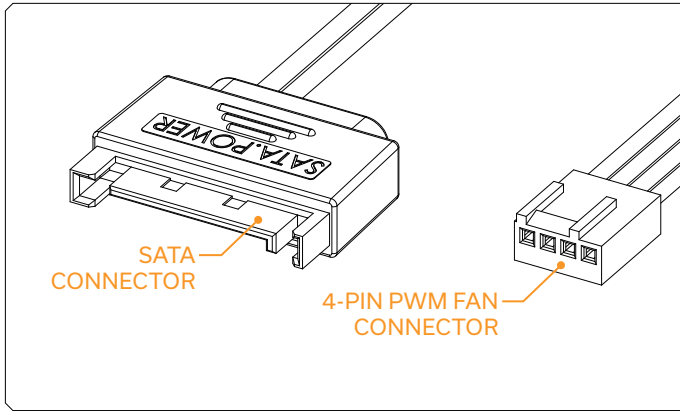
The EK-D5 PWM pump has two connectors.

- 1. MOLEX Connector:** It must be connected directly to your PSU at all times as it is used to power the pump.
- 2. 4-pin PWM fan:** It can be connected to your motherboard's CPU_ Fan or designated water pump header. It can also be connected to a controller. This cable is used to control and report the rotational speed of the pump. If it's not connected, the pump will run at maximum speed (100% PWM).

CONNECTING THE PUMP – SATA CONNECTOR

The EK-D5 PWM pump has two connectors.

- 1. SATA Connector:** It must be connected directly to your PSU at all times as it is used to power the pump.
- 2. 4-pin PWM fan:** It can be connected to your motherboard's CPU_Fan or designated water pump header. It can also be connected to a controller. This cable is used to control and report the rotational speed of the pump. If it's not connected, the pump will run at maximum speed (100% PWM).



TESTING THE LOOP

To make sure the installation of EK components was successful, we recommend you perform a leak test for 24 hours.

When your loop is complete and filled with coolant, connect the pump to a PSU outside of your system. Do not connect power to any of the other components. Turn on the PSU and let the pump run continuously. It is normal for the coolant level to drop during this process as air collects in the distribution plate.

Inspect all parts of the loop, and in the eventuality that coolant leaks, fix the issue and repeat the testing process. Ensure that all hardware is dry before the system is powered on in order to prevent any damage.

SUPPORT AND SERVICE


In case you need assistance, please contact:


<http://support.ekwb.com/>

EKWB d.o.o.
Pod lipami 18
1218 Komenda
Slovenia - EU


SOCIAL MEDIA

 EKWaterBlocks

 @EKWaterBlocks

 ekwaterblocks

 EKWBofficial

 ekwaterblocks

