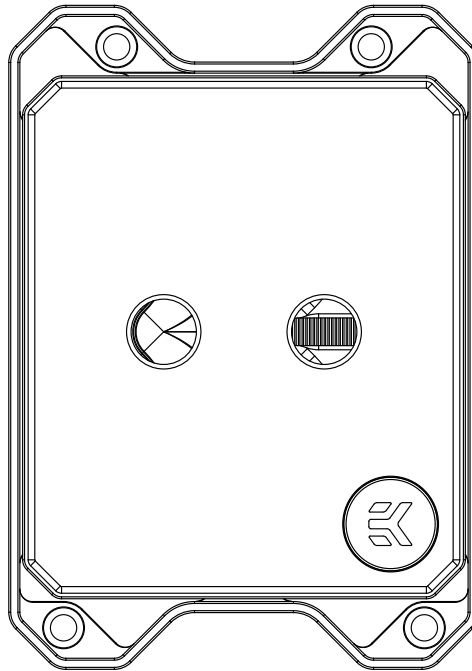


EK-Quantum Magnitude sTRX5

CPU WATER BLOCK



This product is intended for installation by expert users only. Please consult with a qualified technician. Improper installation may result in damage to your equipment. EK assumes no liability whatsoever, expressed or implied, for the use of this product or its installation. The following instructions are subject to change without notice. Please, read the manual carefully before beginning with the installation process. For updates, you can visit our official website www.ekwb.com.

Before you start using this product please follow these basic guidelines:

Carefully read the manual before beginning with the installation process.

Remove your graphics card from the computer for the safest mounting process to prevent any possible damage to your GPU or its circuit board (PCB).

EK Fittings require only a small amount of force to screw them firmly in place since the liquid seal is ensured with the rubber O-ring gaskets.

The use of quality market-proven corrosion-inhibiting coolants is always strongly recommended for any liquid cooling system.

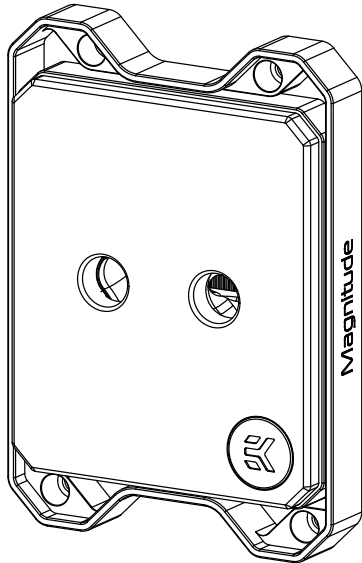
Do not use pure distilled water as a cooling liquid! For best results, EK recommends the use of EK-CryoFuel Coolants.

Make sure to bleed air out of your water block thoroughly in order to reach optimal performance.

TABLE OF CONTENT

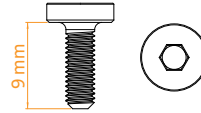
BOX CONTENTS	4
WATER BLOCK DIMENSIONS	5
TECHNICAL SPECIFICATIONS AND WATER BLOCK PARTS	6
CHANGING THE COLDPLATE	7
CONNECTING THE D-RGB LED STRIP	12
TESTING THE LOOP	13
SUPPORT AND SERVICE	14
SOCIAL MEDIA	14

BOX CONTENTS

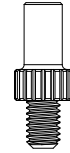


EK-Quantum Magnitude sTRX5

Universal Mounting Mechanism – You may not need every screw from this package.



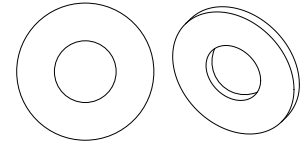
Magnitude Screw M3 x 9 (4 pcs)



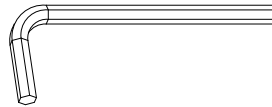
Magnitude sTRX4 Standoff (4 pcs)



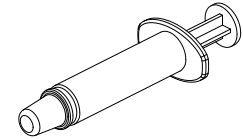
Magnitude Spring M3 x 10 (4 pcs)



PVC Washer M2.5 (5 pcs)

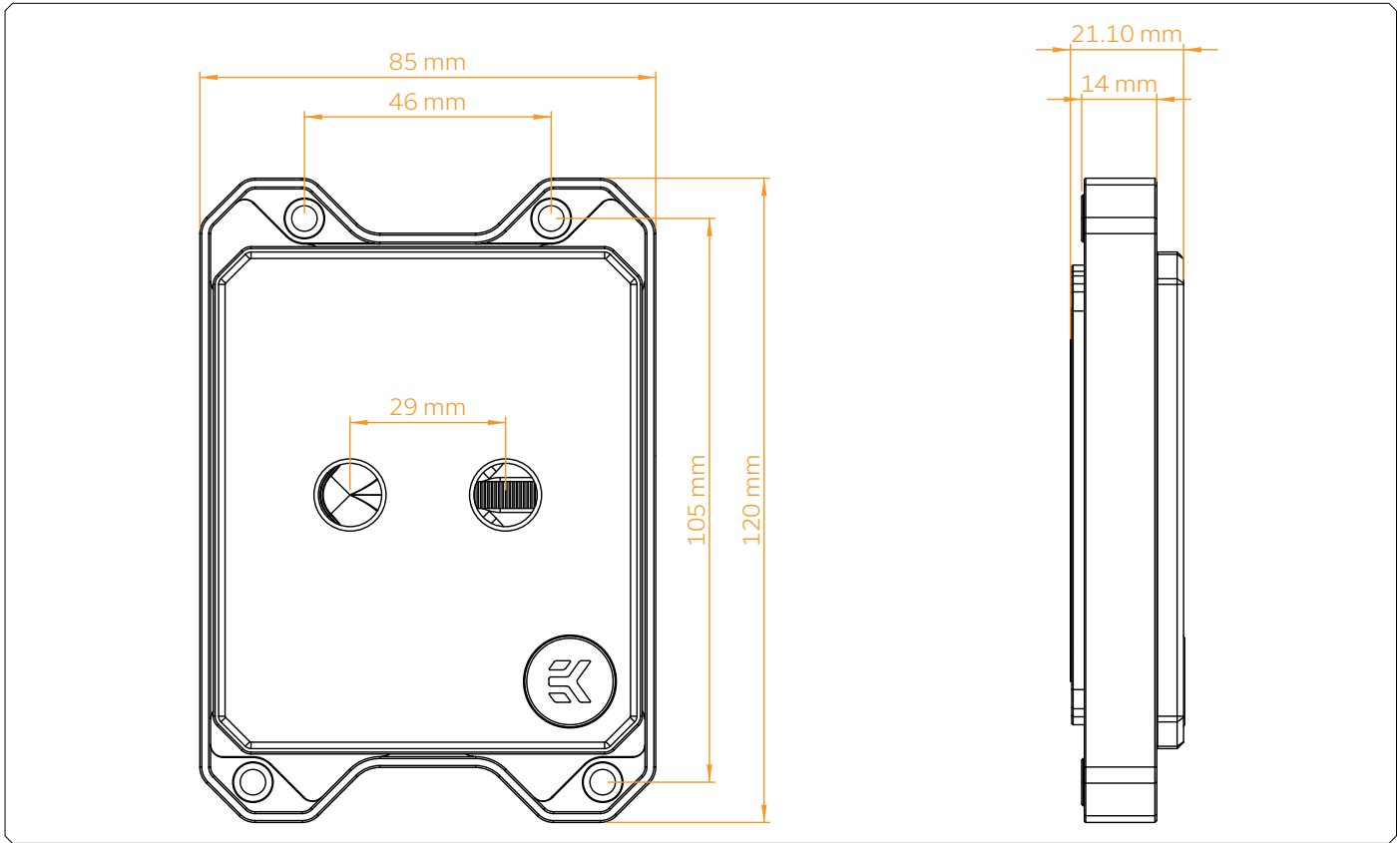


Allen Key 2.5 mm (1 pc)

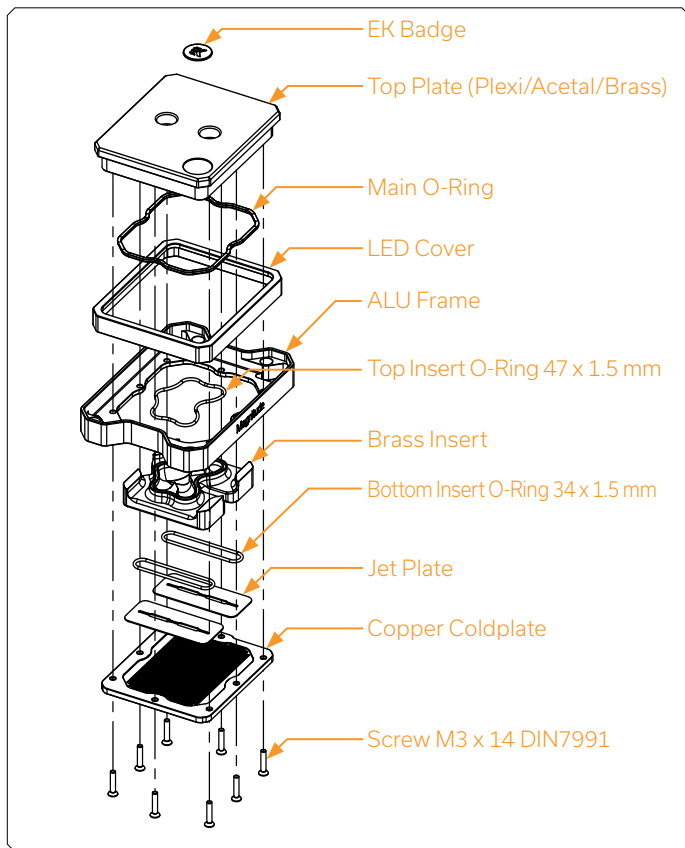


Thermal Grease (1 pc)

WATER BLOCK DIMENSIONS



TECHNICAL SPECIFICATIONS AND WATER BLOCK PARTS



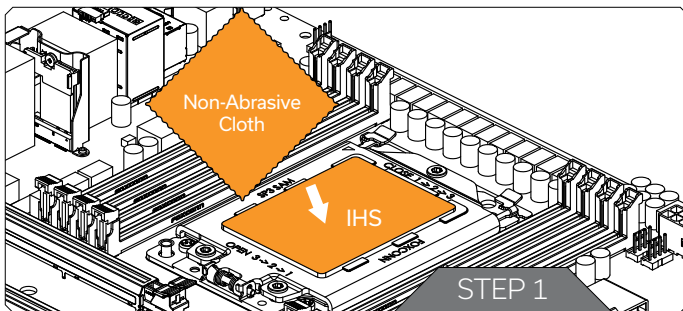
By default (out of the box), this water block supports the following CPU sockets:

- AMD Socket sTRX5
- AMD Socket sTRX4
- AMD Socket TR4 (Socket SP3r2)
- AMD Socket SP3

Technical Specifications:

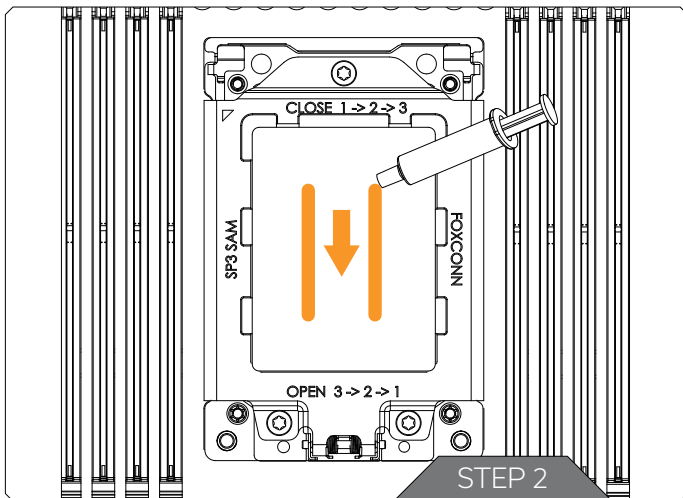
- Dimensions (L x H x W): 85 x 120 x 21 mm
- D-RGB (Addressable RGB) Wire Harness Cable Length: 500 mm
- D-RGB LED Count: 43
- D-RGB Connector: Standard 3-pin (+5V, Data, Blocked, Ground)

CHANGING THE COLDPLATE



STEP 1

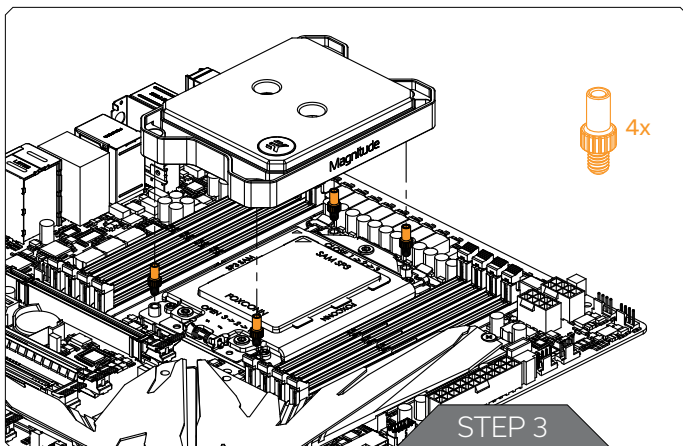
Cleaning the CPU: Wipe the CPU's contact surface with a non-abrasive cloth or Q-tip.



STEP 2

Applying Thermal Compound: Apply the enclosed thermal grease (thermal compound) on the CPU heat spreader (IHS) as shown in the image.

There is no need to cover the whole IHS - applying too much thermal grease will have a negative impact on the cooling performance!

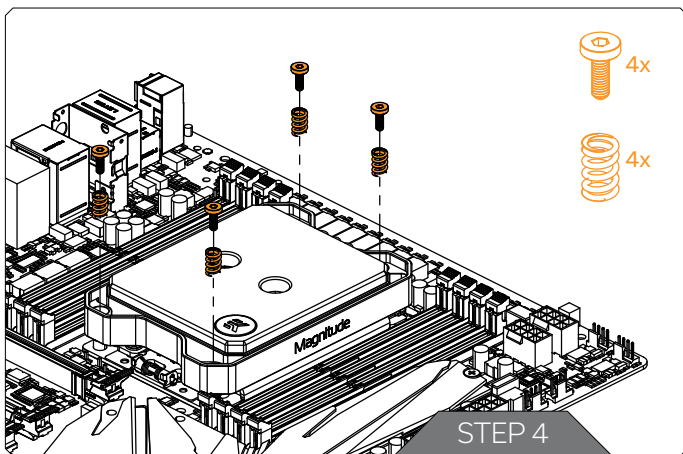


STEP 3

Before proceeding with installation, it is mandatory to remove the protective foil from the backside of the water block.

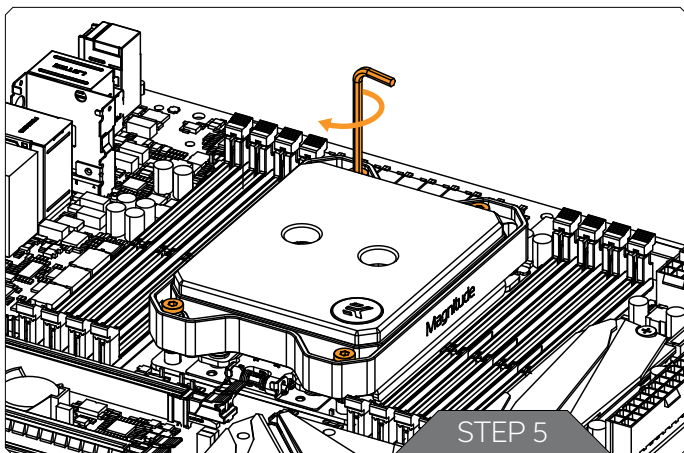
Placing the Water Block on the Motherboard: Place your motherboard on an even surface and remove the Mounting Mechanism from the plastic bag.

Install four (4) Standoffs tightly into the ILM Heat Sink studs by hand. Using pliers or similar tools is not recommended. After securing the Standoffs, position the CPU Water Block onto the Standoffs.



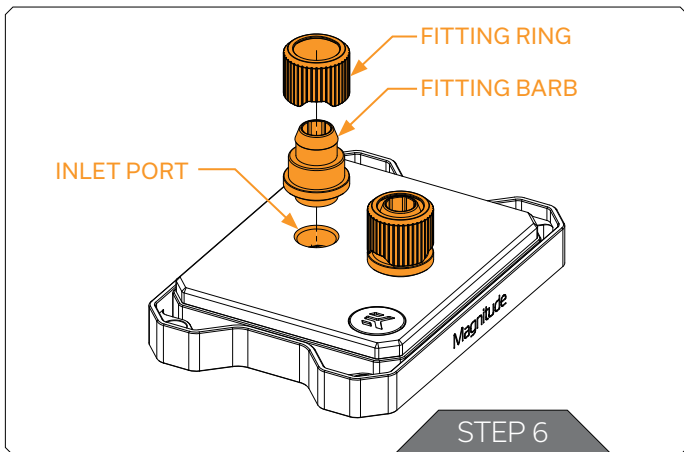
STEP 4

Attaching the Water Block: Once you've placed the water block on the motherboard, insert four (4) mounting springs and M3x9 screws inside the frame, as shown in the image.



STEP 5

Tighten the screws in a cross pattern using the enclosed Allen Key. Stop tightening when every screw is flush with its hole inside the frame!



STEP 6

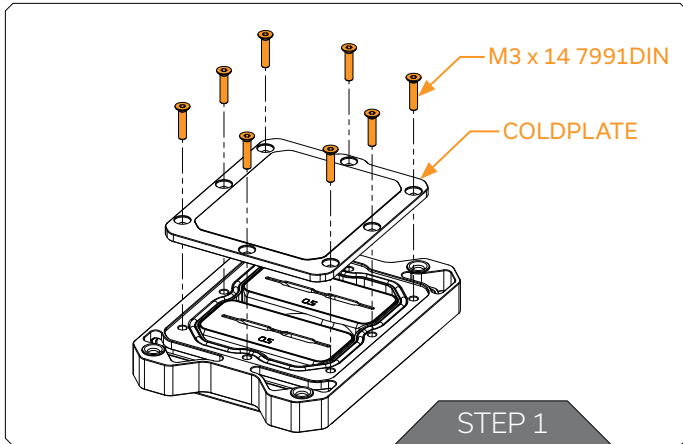
Installing Fittings and Tubing: Screw-in two (2) G1/4" threaded male fittings. Attach the tubes and connect the CPU water block to the liquid cooling loop.

EK recommends using EK fittings with all EK water blocks.



CAUTION: When using connectors other than EK fittings, pay special attention to the length of the fittings' male G1/4" thread - 5mm is the maximum G1/4" thread length allowed!

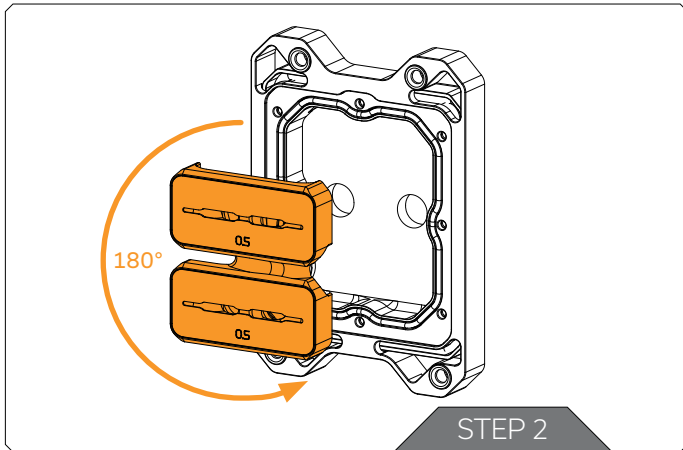
By default, the inlet port is placed on the left side.



You can also rotate the INLET/OUTLET port by following the further steps.

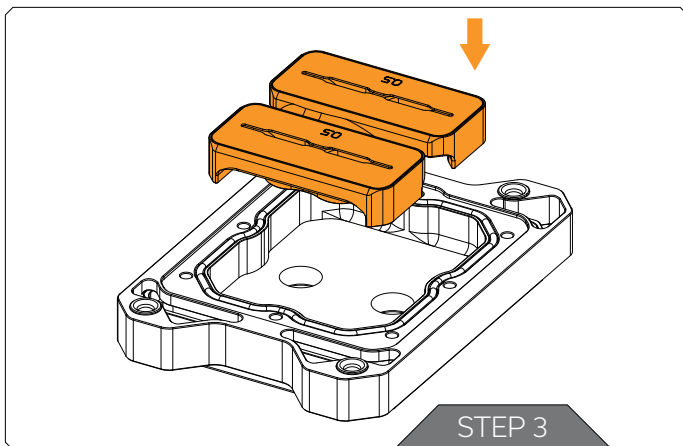
STEP 1

Unscrew the eight (8) M3X14 DIN7991 screws using the 2mm Allen Key and remove the colplate from the water block (as shown on the photo). Save the screws and coldplate for later use.



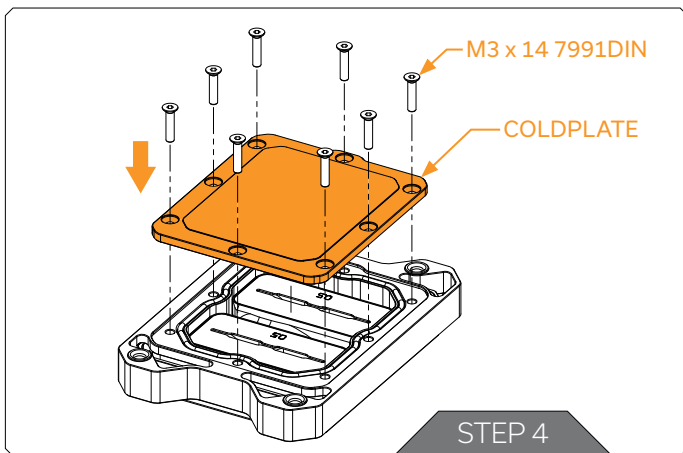
STEP 2

After removing the coldplate, take the brass insert and rotate it by 180° with all the O-Rings and jet plates (as shown on the photo).



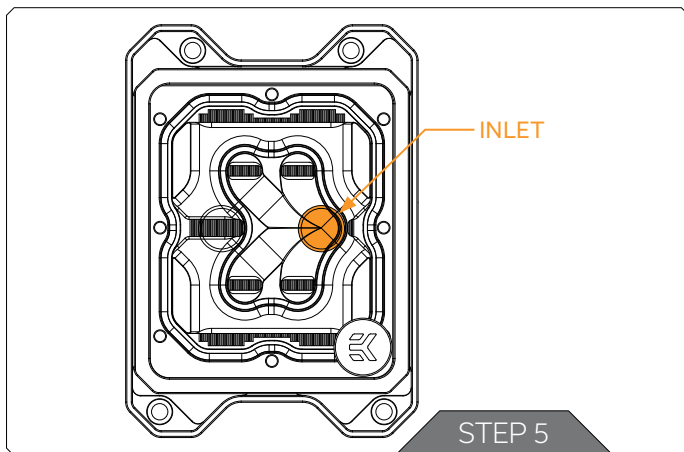
STEP 3

Carefully place the rotated brass insert back into the top. Make sure that the insert and jet plate O-ring's remain in place.



STEP 4

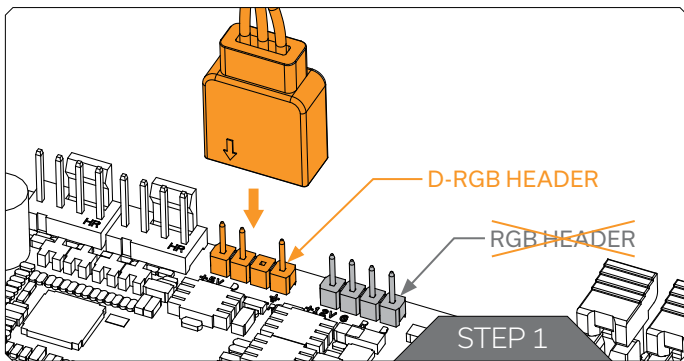
You can now replace the coldplate and screws (M3 X 14 DIN7991). Do not use the excessive force (Max torque: 0.55Nm).



STEP 5

The installation is now complete and the flow direction can be reversed.

CONNECTING THE D-RGB LED STRIP



STEP 1

Plug the 3-pin D-RGB connector from the CPU water block to the D-RGB Header on your motherboard or controller.

The LED strip will work only if the pin layout on the header is as follows: **+5V, Data, Empty, Ground.**



Incorrect installation or installation to a wrong header can damage to the LED strip or the header itself!

TESTING THE LOOP

To ensure the installation of EK components was successful, we recommend you perform a 24-hour leak test.

When your loop is complete and filled with coolant, connect the pump to a PSU outside your system. Do not connect power to any of the other components. Turn on the PSU and let the pump run continuously.


Inspect all parts of the loop, and in case the coolant leaks, fix the issue and repeat the testing process. To prevent possible damage, please ensure that all hardware is dry before the system is powered on.

SUPPORT AND SERVICE


In case you need assistance, please contact:
<https://www.ekwb.com/customer-support/>

EKWB d.o.o.
Pod lipami 18
1218 Komenda
Slovenia - EU


SOCIAL MEDIA

 EKWaterBlocks

 @EKWaterBlocks

 ekwaterblocks

 EKWBofficial

 ekwaterblocks

