

EK-Quantum Momentum Chipset Aorus X570

WATER BLOCK



This product is intended for installation only by expert users. Please consult with a qualified technician for installation. Improper installation may result in damage to your equipment. EK Water Blocks assumes no liability whatsoever, expressed or implied, for the use of these products, nor their installation. The following instructions are subject to change without notice. Please visit our web site at www.ekwb.com for updates. Before installation of this product please read important notice, disclosure and warranty conditions printed on the back of the box.

Before you start using this product please follow these basic guidelines:

Please carefully read the manual thoroughly before beginning with the installation process!

Please remove your motherboard from the computer to assure safest mounting process in order to prevent any possible damages to your CPU and/or motherboard's circuit board (PCB).

The EK- Fittings require only a small amount of force to screw them firmly in place since the liquid seal is ensured by the rubber o-ring gaskets.

The use of quality, market proved corrosion inhibiting coolants is always strongly recommended for any liquid cooling system.

TABLE OF CONTENT

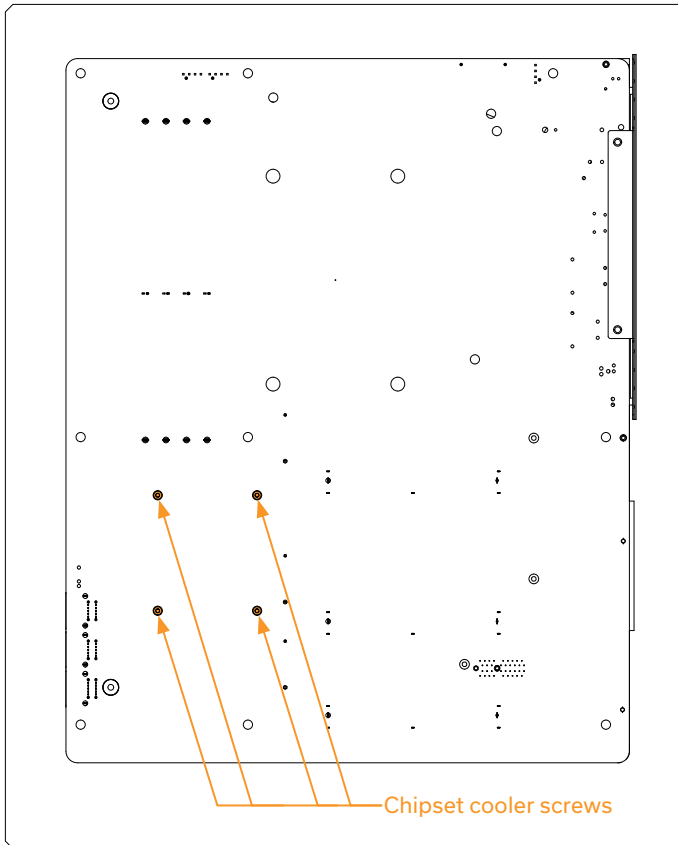
PREPARING YOUR MOTHERBOARD	4
AMD X570 AORUS ELITE, AMD X570 AORUS ULTRA	4
REMOVING FACTORY PROVIDED CHIPSET COOLER	4
AMD X570 AORUS MASTER	5
REMOVING FACTORY PROVIDED BACKPLATE	5
REMOVING FACTORY PROVIDED CHIPSET COOLER	5
APPLYING THERMAL COMPOUND	6
PLACING EK-QUANTUM MOMENTUM CHIPSET AORUS X570 WATER BLOCK ON TO MOTHERBOARD	7
ATTACHING BLOCK ON THE MOTHERBOARD	7
ATTACHING THE FITTINGS	8
REQUIRED TOOLS	8
SUPPORT AND SERVICE	9
SOCIAL MEDIA	9

PREPARING YOUR MOTHERBOARD

AMD X570 AORUS ELITE, AMD X570 AORUS ULTRA

REMOVING FACTORY PROVIDED CHIPSET COOLER

There are four (4) screws on the back of the motherboard that needs to be removed. Do not forget to remove washers if present. Gently remove the chipset cooler and disconnect the Fan connection.



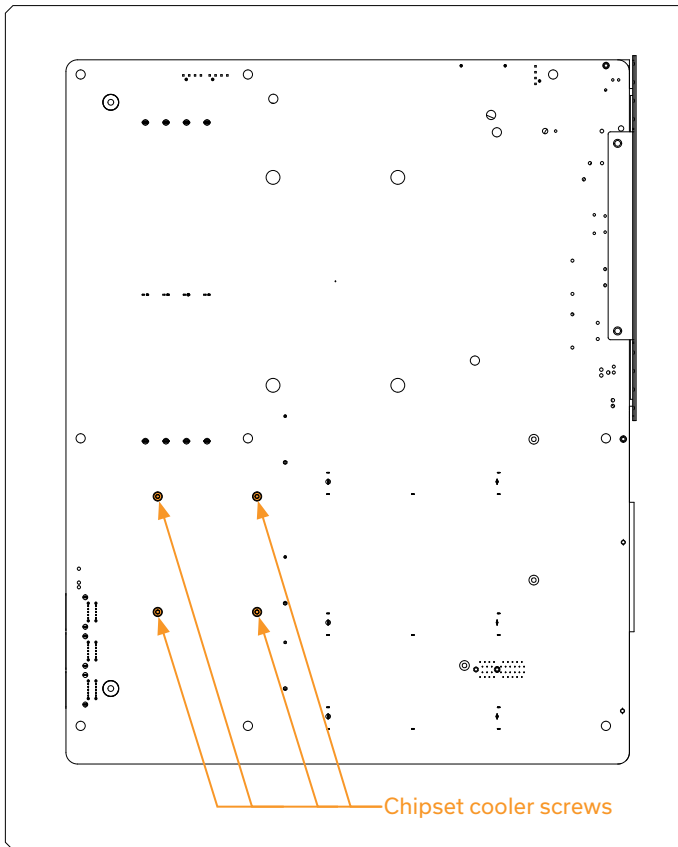
AMD X570 AORUS MASTER

REMOVING FACTORY PROVIDED BACKPLATE

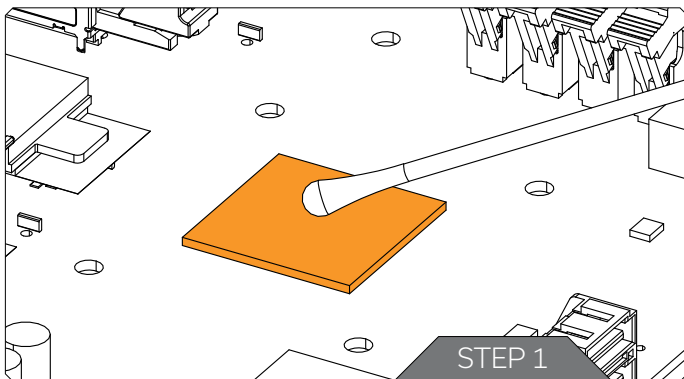
From the back side of the motherboard, remove five (5) screws using Phillips head screwdriver. After removing the mention screws also remove two (2) remaining screws from the front side of the motherboard using Phillips head screwdriver and take off the factory provided backplate.

REMOVING FACTORY PROVIDED CHIPSET COOLER

Remove four (4) screws (marked on the photo) and washers if present. Gently remove the chipset cooler and disconnect the Fan connection.

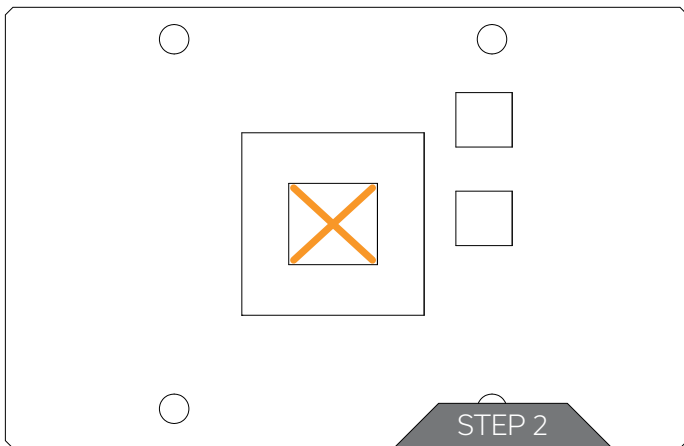


APPLYING THERMAL COMPOUND



STEP 1: CLEANING THE CHIPSET

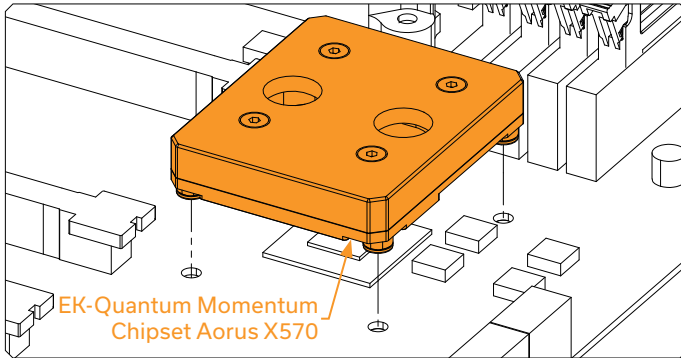
Carefully remove the factory provided Thermal Pad from the chipset heat spreader. Clean the chipset heat spreader by using a non-abrasive cloth or q-tip. EKWB recommends the use of denatured alcohol for removing leftovers.



STEP 2: APPLYING THERMAL COMPOUND

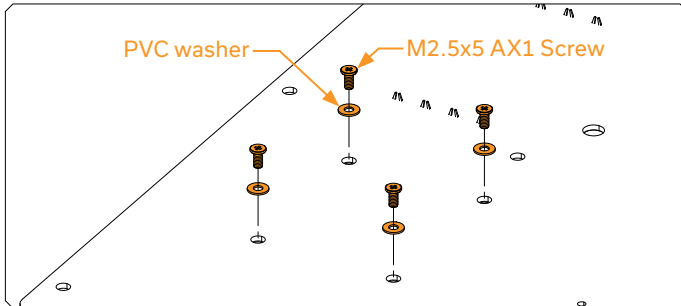
Apply thermal compound on the chipset heat spreader (as shown on the photo) with enclosed EK-TIM Ectotherm thermal grease. Applying too much thermal grease will have negative impact on the cooling performance!

PLACING EK-QUANTUM MOMENTUM CHIPSET AORUS X570 WATER BLOCK ON TO MOTHERBOARD



Place the EK-Quantum Momentum Chipset Aorus X570 to the motherboard or vice versa (as shown on the photo). Make sure that mounting holes are aligned.

ATTACHING BLOCK ON THE MOTHERBOARD



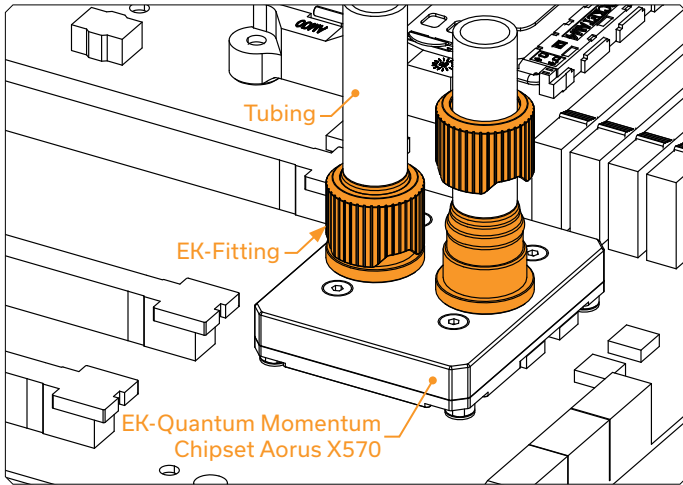
STEP 1

Prior to fastening the screws please make sure the mounting holes on the motherboard's circuit board are aligned with the water block.

STEP 2

Use four (4) M2.5 X 5 AX1 Screws with PVC washers (as shown on the photo). Tighten the screws evenly. Do not use excessive force when tightening the screws.

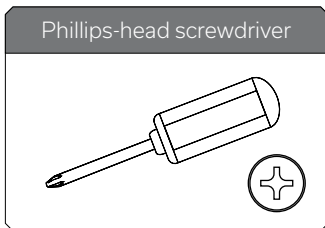
ATTACHING THE FITTINGS



EK recommends the use of EK-Fittings. When using fittings other than EK series please use hose clamps or appropriate substitute to secure the tubing to the barb. The use of biocide containing and corrosion inhibiting coolant is always recommended for any liquid cooling system.

You can use any opening as an inlet/outlet port!

REQUIRED TOOLS




SUPPORT AND SERVICE

For assistance please contact:


<http://support.ekwb.com/>

EKWB d.o.o.
Pod lipami 18
1218 Komenda
Slovenia - EU


SOCIAL MEDIA

 EKWaterBlocks

 @EKWaterBlocks

 ekwaterblocks

 EKWBofficial

 ekwaterblocks

