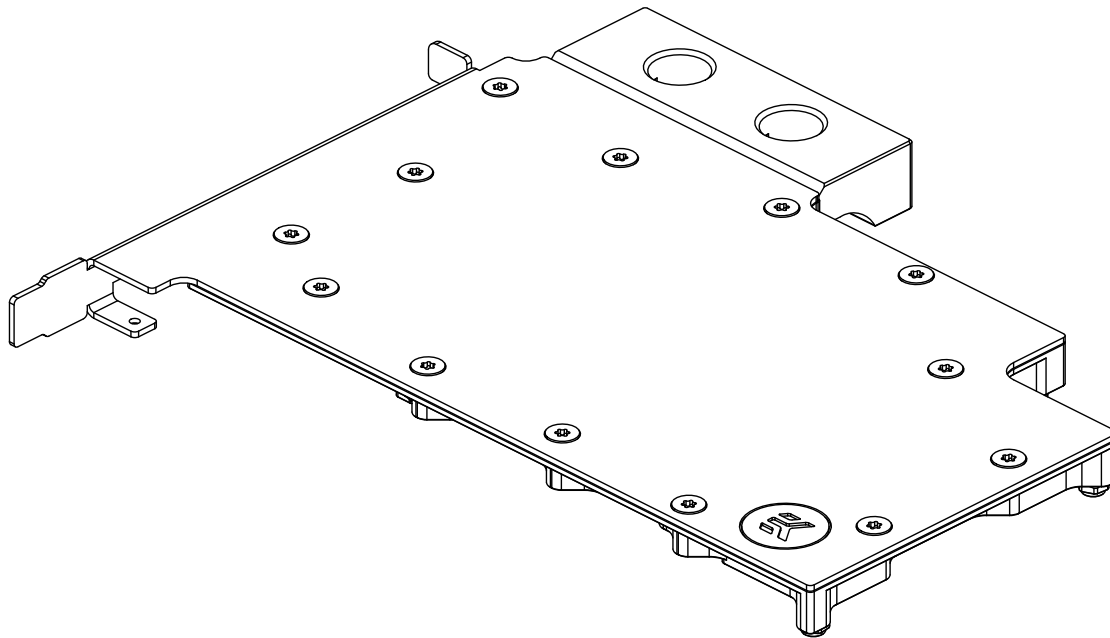


# EK-Pro GPU WB RTX 4000 – Ni + Inox

GPU WATER BLOCK



This product is compatible with Nvidia Quadro RTX 4000 graphics card. It is intended for installation by expert users only. Please consult with a qualified technician since improper installation may result in damage to the equipment. EK assumes no liability whatsoever, expressed or implied, for the use of these products, nor their installation. The following instructions are subject to change without notice. Please visit our website at [www.ekwb.com](http://www.ekwb.com) for updates. Before the installation of this product, please read important notice, disclosure, and warranty conditions printed on the back of the box.

Before you start using this product, please follow these basic guidelines:

**Carefully read the manual before beginning with the installation process.**

**Remove your graphics card from the computer for the safest mounting process and to prevent any possible damages to your GPU or its circuit board (PCB).**

**EK Fittings require only a small amount of force to screw them firmly in place since the liquid seal is ensured with the rubber O-ring gaskets.**

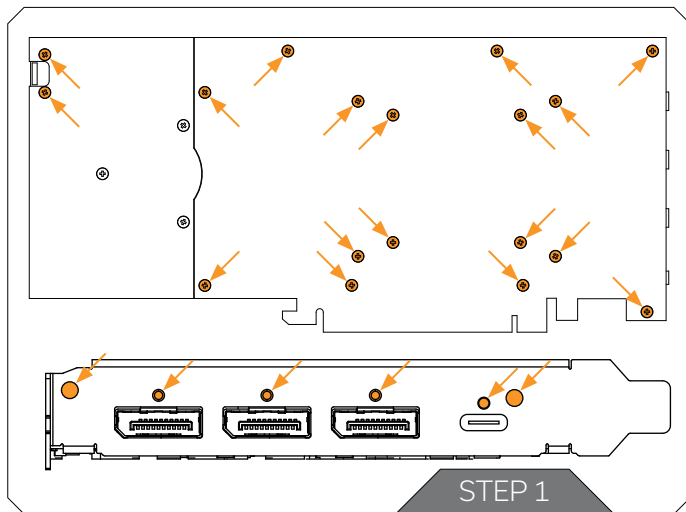
**The use of quality market-proven corrosion-inhibiting coolants is always strongly recommended for any liquid cooling system.**

**Do not use pure distilled water as a cooling liquid! For best results, EK recommends the use of EK-CryoFuel Coolants.**

# TABLE OF CONTENTS

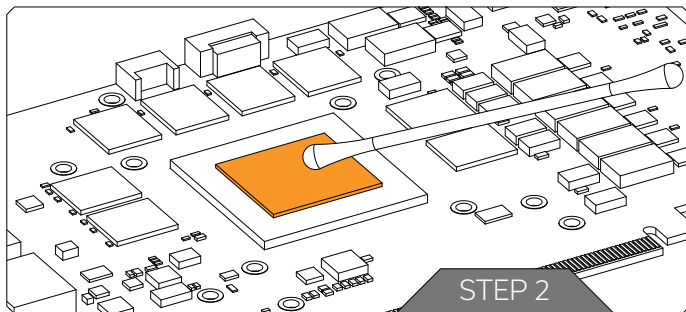
<b>PREPARING THE GRAPHICS CARD</b> .....	<b>4</b>
REMOVING THE STOCK COOLER .....	4
CLEANING THE PCB .....	4
APPLYING THERMAL COMPOUND .....	5
CUTTING THERMAL PADS .....	5
PLACING THERMAL PADS ON PCB .....	5
<b>INSTALLING THE WATER BLOCK</b> .....	<b>6</b>
PLACING THE BLOCK ON THE GRAPHICS CARD .....	6
ATTACHING THE BLOCK TO THE GRAPHICS CARD .....	7
CHECKING FOR CONTACT .....	8
INSTALLATION OF FITTINGS AND TUBING .....	8
INSERTING THE GRAPHICS CARD IN THE PC CASE .....	9
<b>REQUIRED TOOLS</b> .....	<b>9</b>
<b>SUPPORT AND SERVICE</b> .....	<b>10</b>
<b>SOCIAL MEDIA</b> .....	<b>10</b>

## PREPARING THE GRAPHICS CARD



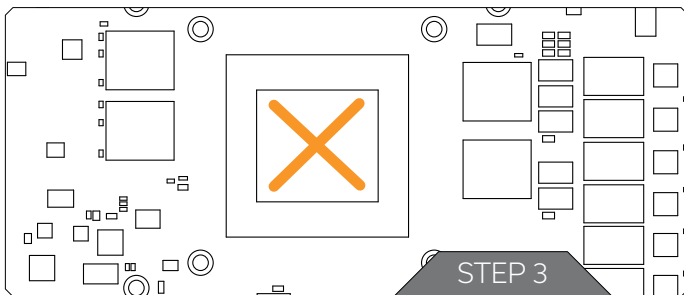
### STEP 1 REMOVING THE STOCK COOLER

Remove all encircled screws using a Phillips head screwdriver. All heat sink assembly screws should be removed, including self-adhesive washers on both sides of the PCB (if present). After that, remove the I/O bracket.



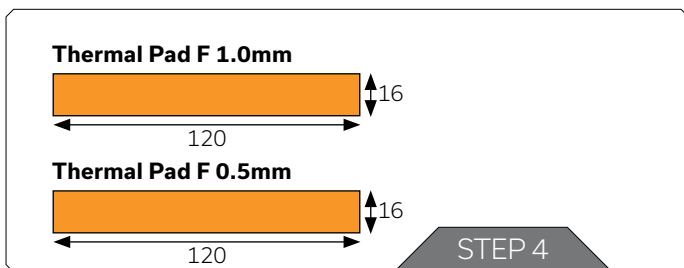
### STEP 2 CLEANING THE PCB

Carefully detach the original stock cooler after removing all screws that are securing it to the board. Wipe off the remains of the original thermal compound using a nonabrasive cloth or Q-tip, as shown in the sample image, until the components and circuit board are completely clean. EK recommends the use of denatured alcohol for removing TIM leftovers.



### STEP 3 APPLYING THERMAL COMPOUND

Lightly coat the GPU chip with enclosed EK-TIM Ectotherm thermal grease. For best performance, EK recommends applying thermal grease in the form of a cross (see sample image).

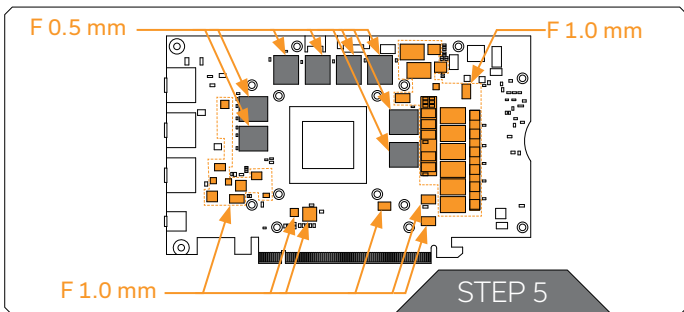


### STEP 4 CUTTING THERMAL PADS

Your GPU water block comes with thermal pads that have to be cut into smaller pieces to cover all the VRM components. **You must remove the protective foil from both sides of the thermal pad before installation.**

Replacement thermal pads:

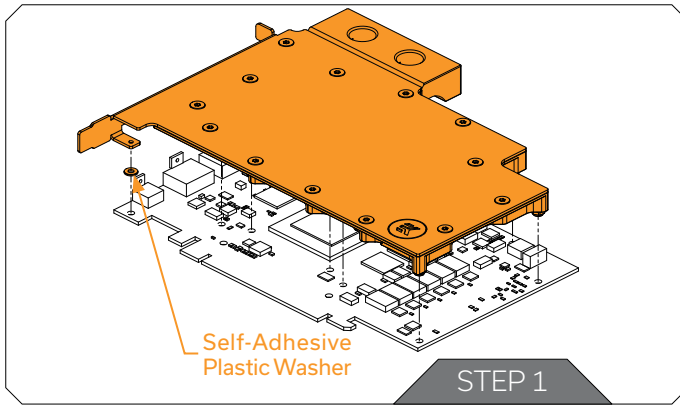
1. Thermal Pad F 1.0mm - (120x16mm) - (EAN: 3830046996732)
2. Thermal Pad F 0.5mm - (120x16mm) - (EAN: 3830046996725)



### STEP 5 PLACING THERMAL PADS ON PCB

Once cut to size, thermal pads should be placed on the PCB, as illustrated below. EK made sure to provide you with more than an adequate quantity of thermal pads to complete this Step.

## INSTALLING THE WATER BLOCK



### STEP 1

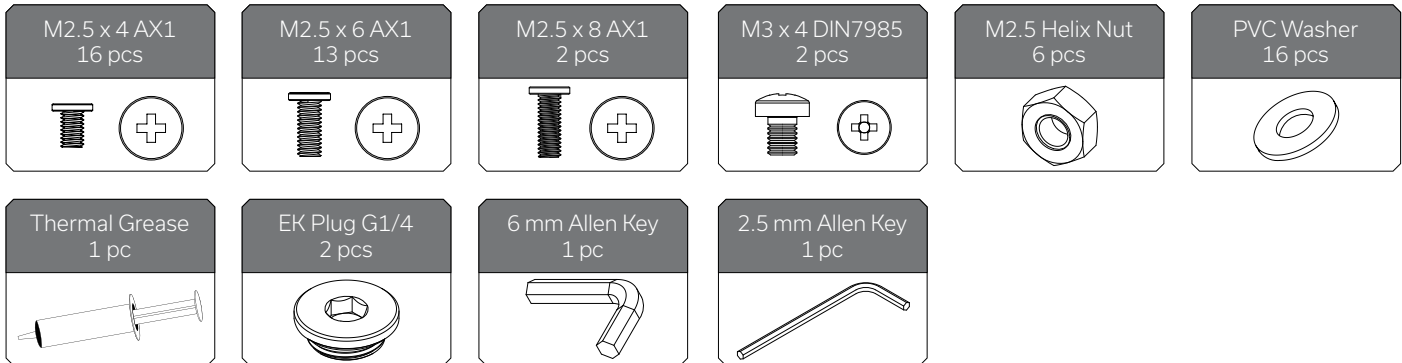
#### PLACING THE BLOCK ON THE GRAPHICS CARD

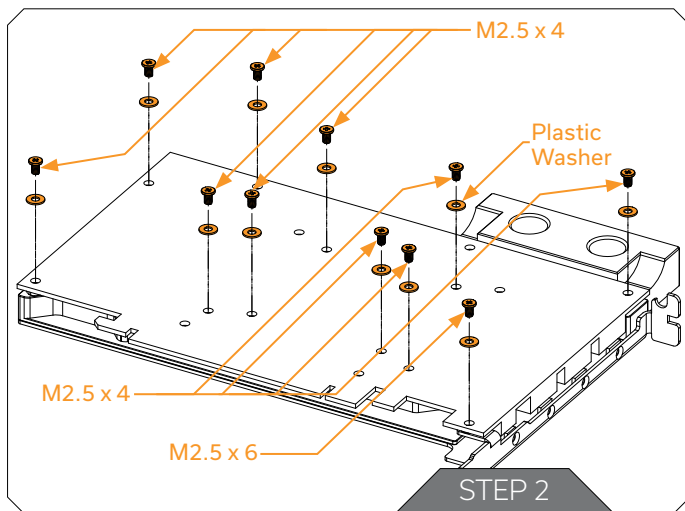
Carefully position the water block with preinstalled standoffs on the graphics card. During this process, please make sure you have aligned mounting holes on the PCB with holes on the water block (same applies to other tops).

Pay attention not to use too much force when pressing the block down to the PCB since chip dies are prone to cracking.

### BAG CONTENTS

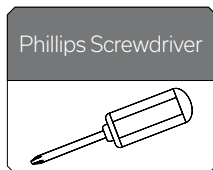
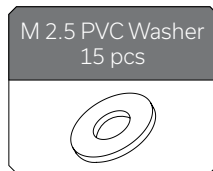
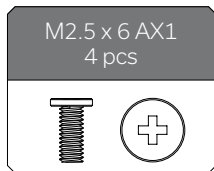
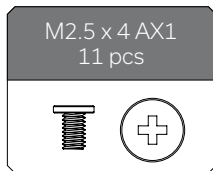
The content of the bag is universal for all water blocks - you may not need every screw.





## STEP 2 ATTACHING THE BLOCK TO THE GRAPHICS CARD

Use a Phillips head screwdriver with the enclosed M2.5X4 and M2.5X6 screws. EK recommends you start tightening the screws evenly, around the GPU core first, and then continuing outward to prevent the damage to the GPU. Always use a plastic washer under each screw!



### STEP 3 CHECKING FOR CONTACT

If necessary, temporarily remove the water block to check for uniform surface contact between the block and components. Pay special attention to the VRM section of the graphics card. Check whether the water block makes contact with the intended integrated circuit. Then repeat Steps from the previous section to re-attach the block.

**In case you fail to obtain good contact, please check again or contact our support service at [www.ekwb.com/support](http://www.ekwb.com/support).**

### STEP 4 INSTALLATION OF FITTINGS AND TUBING

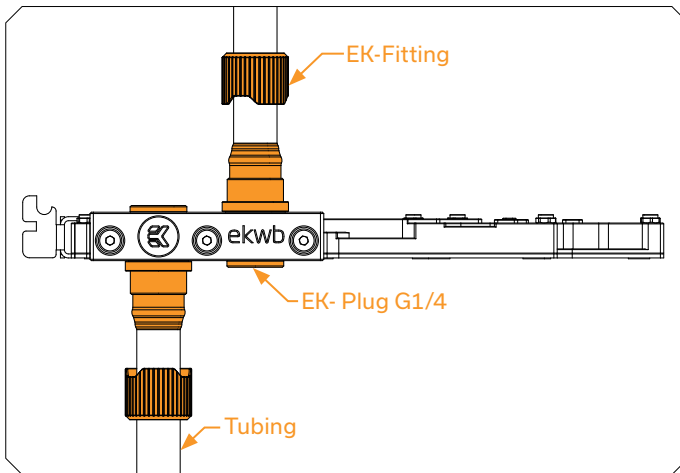
Screw-in two (2) G1/4 threaded male fittings. Attach the liquid cooling tubes and connect the water block(s) to the cooling loop.

**EK recommends using EK-Fittings with this water block.**

You can use any opening as an inlet/outlet port.

**Do not forget to plug the remaining two openings with enclosed EK-Plug G1/4 or its equivalent.**

**CAUTION:** In case of using connectors other than EK Compression Fittings, pay special attention to the length of the fittings' male G1/4" thread. 5mm is the maximum G1/4" thread length allowed!





## STEP 5

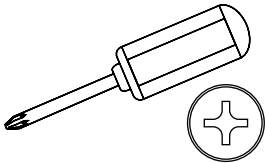
### INSERTING THE GRAPHICS CARD IN THE PC CASE

Carefully lift your graphics card with the installed water block and insert it into your PC's motherboard PCIe expansion slot. Please bear in mind that your graphics card is very likely heavier than before it was equipped with the water block.

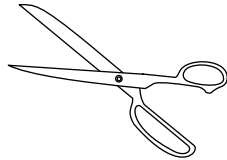
**You need to be very careful when handling the graphics card. Avoid all unnecessary manipulation of the VGA-water block assembly that might damage your card or water block.**

### REQUIRED TOOLS

Phillips Head Screwdriver



Scissors




## SUPPORT AND SERVICE

In case you need assistance, please contact:


<http://support.ekwb.com/>

EKWB d.o.o.  
Pod lipami 18  
1218 Komenda  
Slovenia - EU


## SOCIAL MEDIA

 EKWaterBlocks

 @EKWaterBlocks

 ekwaterblocks

 EKWBofficial

 ekwaterblocks

