

# **EK-Quantum Kinetic FLT D5/DDC Body D-RGB**



Before you start using this product please follow these basic guidelines:

**Please carefully read the manual before beginning with the installation process!**

**The EK fittings require only a small amount of force to screw them firmly in place since the liquid seal is ensured by the rubber o-ring gaskets.**

**The use of corrosion inhibiting coolants is always recommended for any liquid cooling system. EKWB recommends any of the EK-Cryofuel for worry-free usage.**

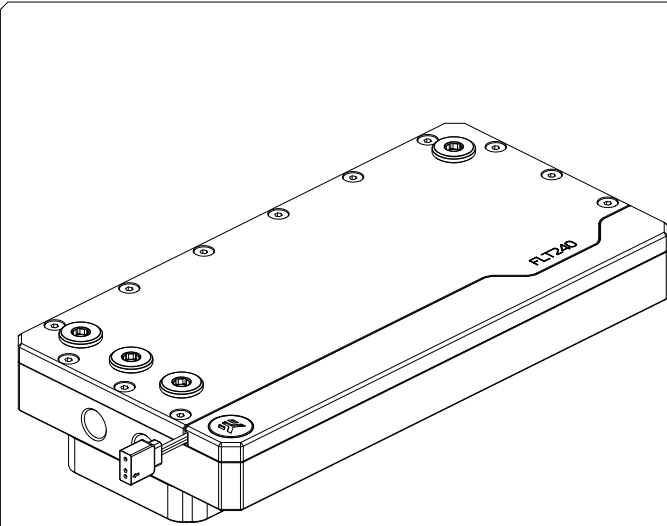
There are many ways to install your EK-Quantum Volume/Kinetic FLT D5/DDC Body as it utilizes a standard fan mounting hole pattern with 15 mm spacing, the same as all EK radiators. The mounting holes have standard M4 threads with maximum engagement of 10 mm. Use of longer screws or screws with incorrect threads such as those intended for fans or radiators may damage your product!

# TABLE OF CONTENT

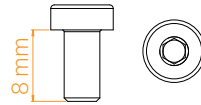
<b>BOX CONTENTS</b>	<b>4</b>
<b>RESERVOIR DIMENSIONS</b>	<b>5</b>
<b>TECHNICAL SPECIFICATIONS AND PRODUCT PARTS</b>	<b>6</b>
120 VERSION	6
240 VERSION	7
360 VERSION	8
<b>D5 PUMP VERSION</b>	<b>10</b>
ATTACHING THE D5 PUMP ON TO THE RESERVOIR	10
<b>DDC PUMP VERSION</b>	<b>11</b>
ATTACHING THE DDC PUMP ON TO THE RESERVOIR	11
<b>INSTALLING EK-QUANTUM VOLUME / KINETIC FLT WITH SUPPLIED MOUNTS</b>	<b>12</b>
<b>ATTACHING THE FITTINGS</b>	<b>13</b>
<b>CONNECTING THE D-RGB LED STRIP</b>	<b>14</b>
<b>TESTING THE LOOP</b>	<b>15</b>
<b>SUPPORT AND SERVICE</b>	<b>16</b>
<b>SOCIAL MEDIA</b>	<b>16</b>

# BOX CONTENTS

**Mounting Mechanism** – You may not need every screw from this package. EAN: 102171

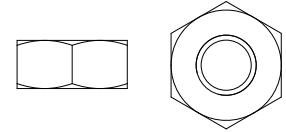


EK-Quantum Kinetic FLT 120/240/360 D5/DDC Body

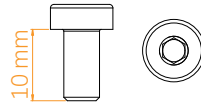


8 mm

M4 x 8 DIN7984 Screw (4 pcs)

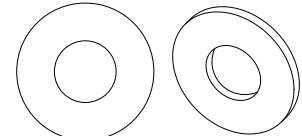


M4 Nut (4 pcs)

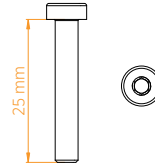


10 mm

M4 x 10 DIN7984 Screw (4 pcs)

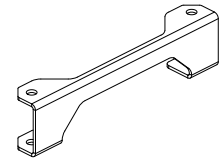


PVC Washer M4 (4 pcs)

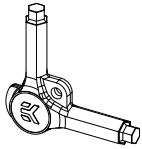


25 mm

M4 x 25 DIN7984 Screw (4 pcs)



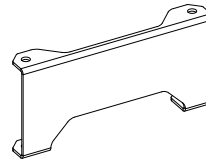
DDC Mount (2 pcs)



EK-Loop Multi Allen Key (1 pc)



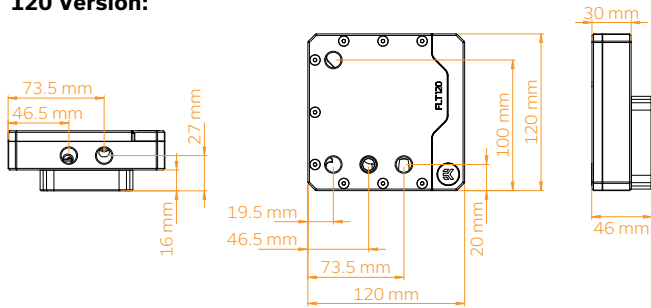
Allen Key 2.5 mm (1 pc)



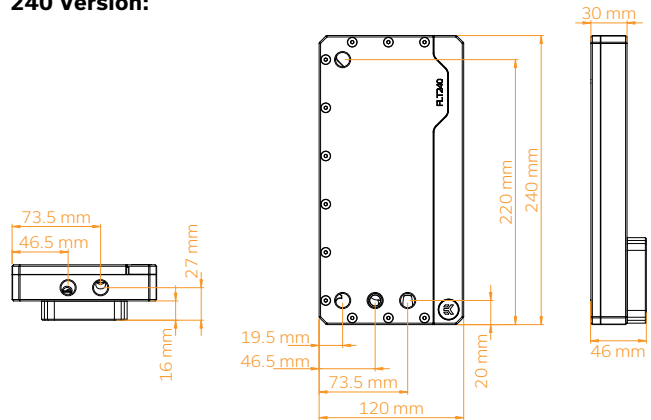
D5 Mount (2 pcs)

# RESERVOIR DIMENSIONS

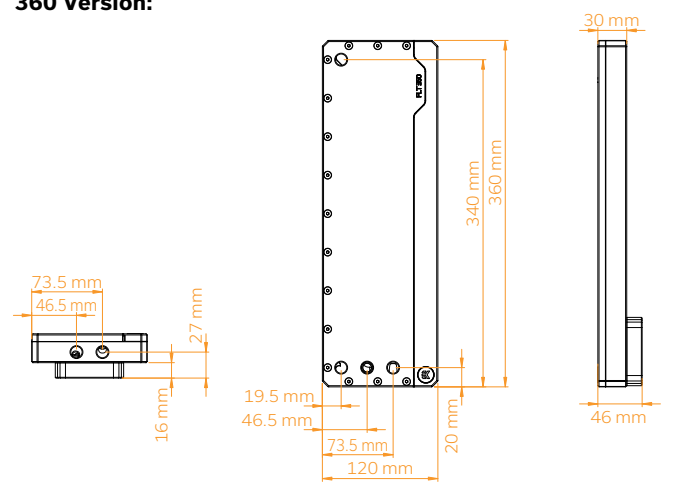
## 120 Version:



## 240 Version:



## 360 Version:



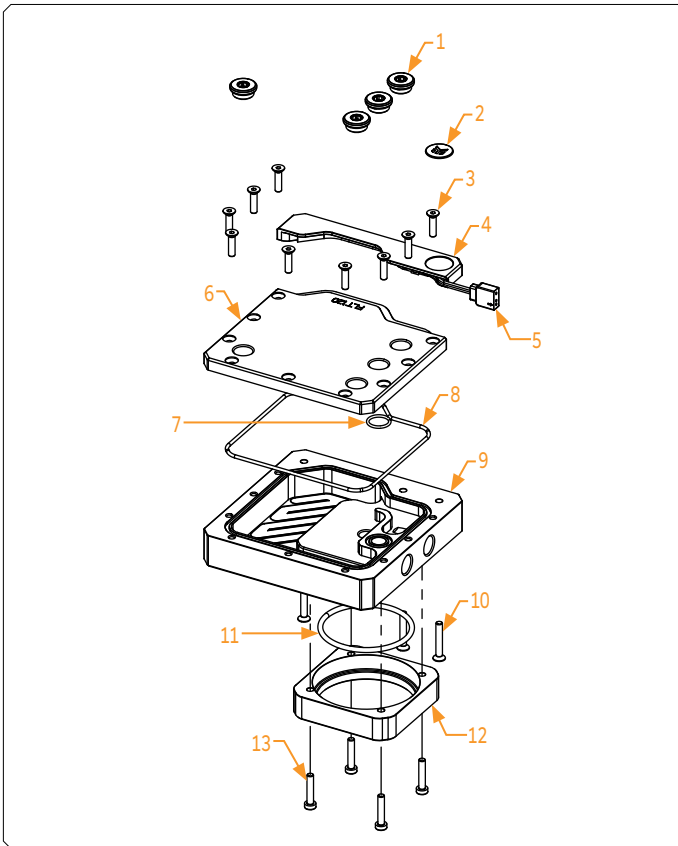
# TECHNICAL SPECIFICATIONS AND PRODUCT PARTS

## 120 VERSION

### Technical Specification:

- Dimensions: (L x H x W) – 120 x 120 x 46 mm
- D-RGB cable length: 500 mm
- D-RGB LED count: 6
- D-RGB connector standard 3-pin (+5V, Data, Blocked, Ground)

Position	EAN	Description	Quantity
1	102639	EK-Plug G1/4	4
2	100663	EK Badge	1
3	8312	M4 x 16 DIN7991 Screw	9
4	103274	LED Cover	1
5	100199	LED Strip	1
6	101797	Plexi top plate	1
7	5092	OR 12 x 1.5	1
8	5220	OR 117X2	1
9	101802	Plexi bottom	1
10	9051	M4 x 25 DIN7991 Screw	3
11	5154	OR 52 x3	1
12	101803	Pump holder	1
13	8311	M4 x 20 DIN7984 Screw	4

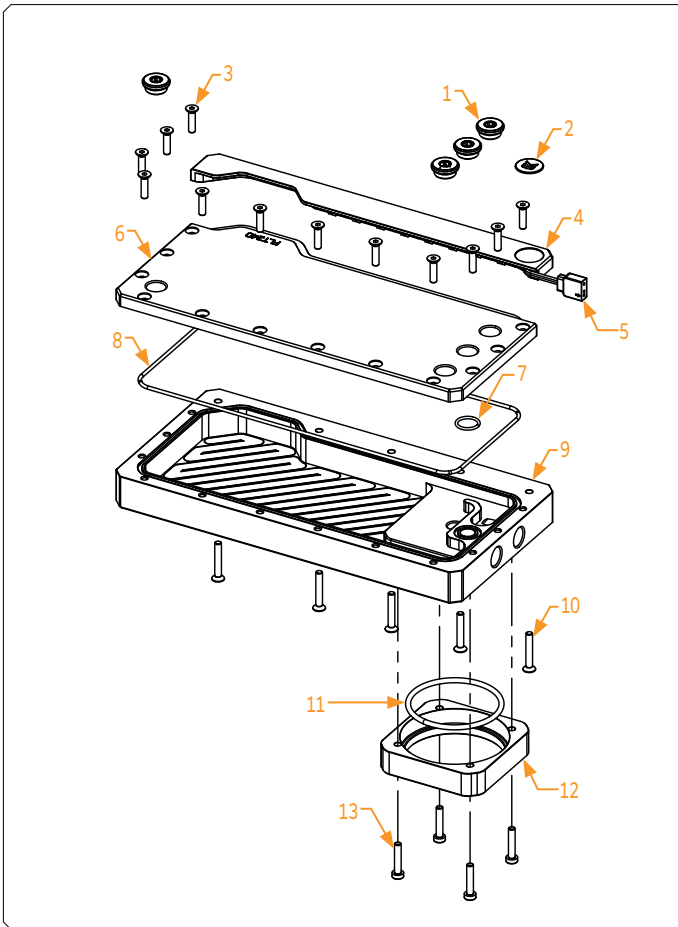


## 240 VERSION

### Technical Specification:

- Dimensions: (L x H x W) – 120 x 240 x 46 mm
- D-RGB cable length: 500 mm
- D-RGB LED count: 14
- D-RGB connector standard 3-pin (+5V, Data, Blocked, Ground)

Position	EAN	Description	Quantity
1	102639	EK-Plug G1/4	4
2	100663	EK Badge	1
3	8312	M4 x 16 DIN7991 Screw	9
4	103274	LED Cover	1
5	100815	LED Strip	1
6	101787	Plexi top plate	1
7	5092	OR 12 x 1.5	1
8	5220	OR 193 x 2	1
9	101800	Plexi bottom	1
10	9051	M4 x 25 DIN7991 Screw	3
11	5154	OR 52 x 3	1
12	101803	Pump holder	1
13	8311	M4 x 20 DIN7984 Screw	4

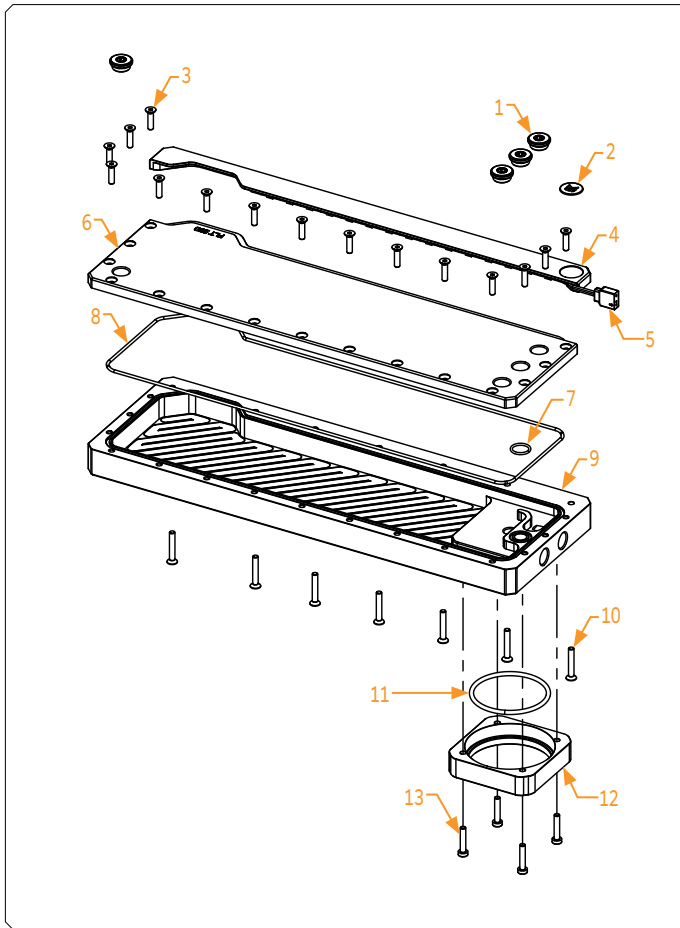


## 360 VERSION

### Technical Specification:

- Dimensions: (L x H x W) – 120 x 360 x 46 mm
- D-RGB cable length: 500 mm
- D-RGB LED count: 21
- D-RGB connector standard 3-pin (+5V, Data, Blocked, Ground)

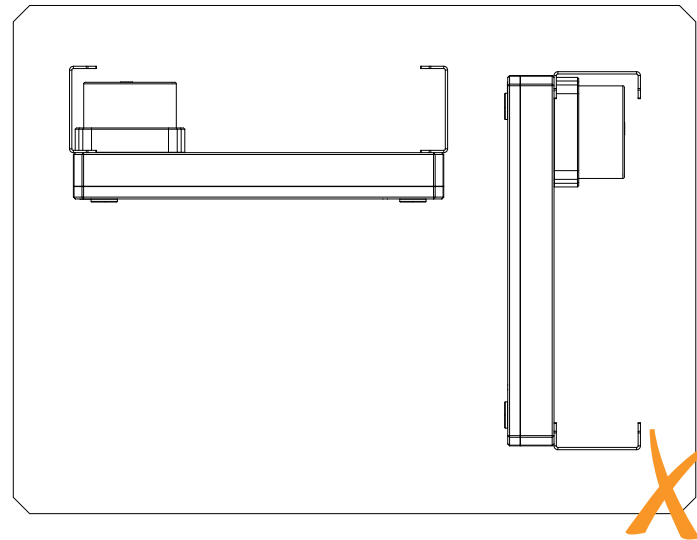
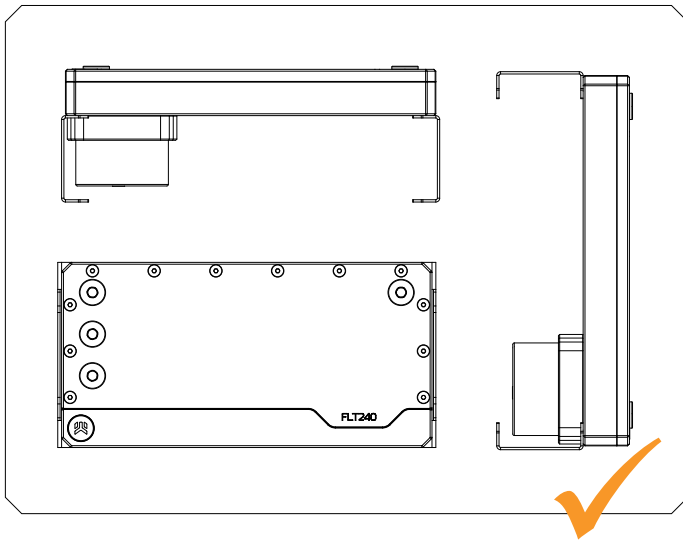
Position	EAN	Description	Quantity
1	102639	EK-Plug G1/4	4
2	100663	EK Badge	1
3	8312	M4 x 16 DIN7991 Screw	9
4	103274	LED Cover	1
5	100815	LED Strip	1
6	101792	Plexi top plate	1
7	5092	OR 12 x 1.5	1
8	5220	OR 193 x 2	1
9	101801	Plexi bottom	1
10	9051	M4 x 25 DIN7991 Screw	3
11	5154	OR 52 x 3	1
12	101803	Pump holder	1
13	8311	M4 x 20 DIN7984 Screw	4



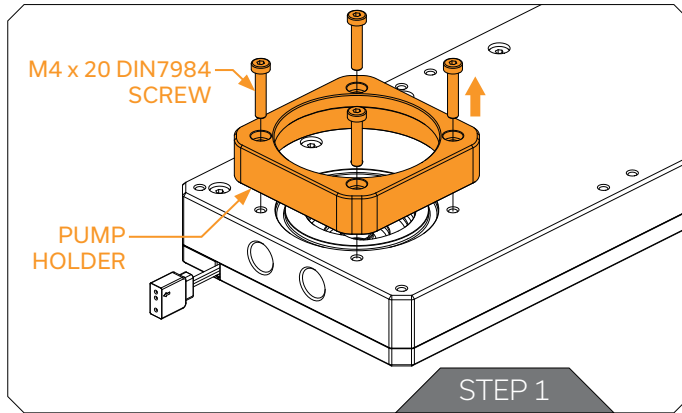


FLT Reservoir can be mount in multiple directions.  
Vertically and horizontally position is optional.

Do not mount FLT Reservoir when the pump is in dead position.



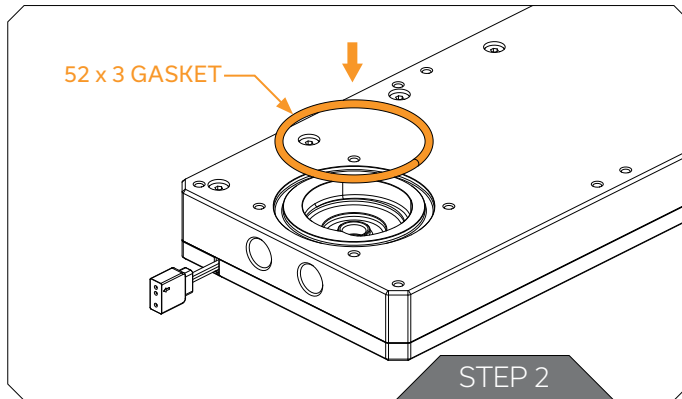
## D5 PUMP VERSION



## ATTACHING THE D5 PUMP ON TO THE RESERVOIR

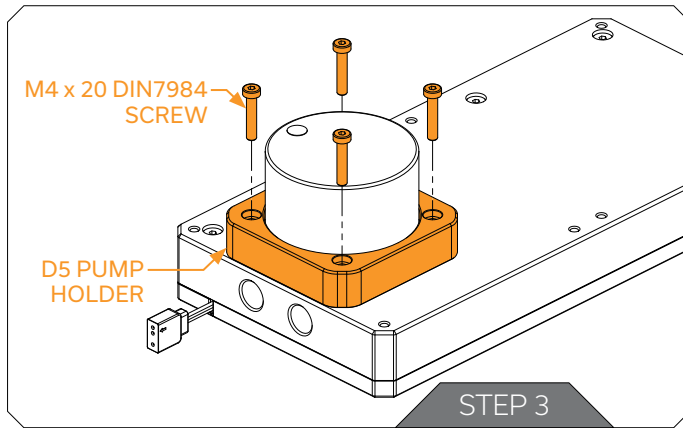
### STEP 1:

Remove the preinstalled Pump Holder using 2.5 mm Allen Key. Store the screws and pump holder for later use.



### STEP 2:

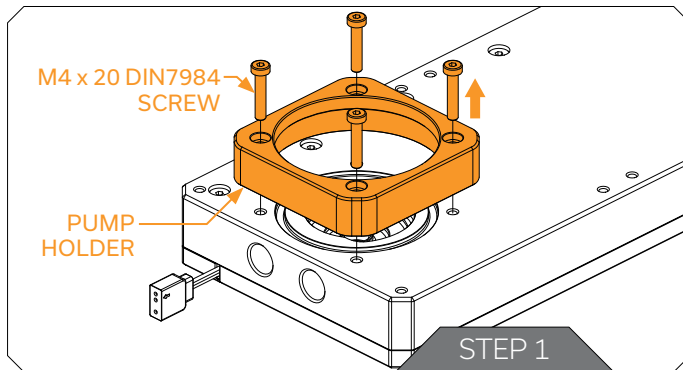
Make sure that the gasket (o- ring) is placed into the groove.



### STEP 3

Carefully attach the D5 Pump and Pump Holder(as shown on the photo). After that, secure all the parts together with M4 x 20 DIN 7984 Screws. Tighten the screws using enclosed 2.5 mm Allen Key.

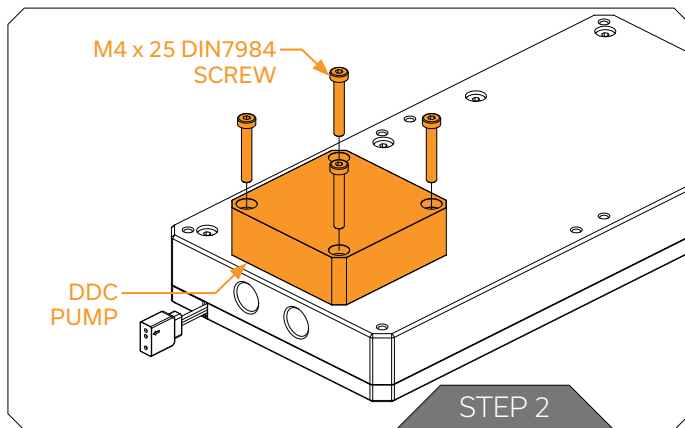
## DDC PUMP VERSION



## ATTACHING THE DDC PUMP ON TO THE RESERVOIR

### STEP 1

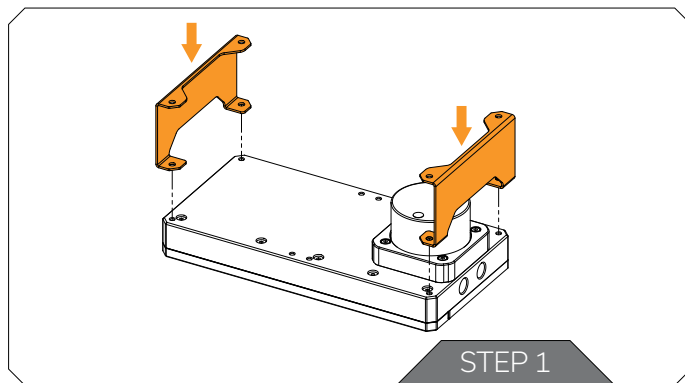
Remove the preinstalled Pump Holder and screws using 2.5 mm Allen Key. Store the pump holder for later use.



## STEP 2

Carefully attach the DDC pump and make sure that gasket (46 x 2.5) is placed correctly. Sealing gasket is included in additional bag. Secure the pump with four (4) M4 x 25 7984DIN screws (see sample photo). Tighten the screws using enclosed 2.5 mm Allen Key.

## INSTALLING EK-QUANTUM VOLUME / KINETIC FLT WITH SUPPLIED MOUNTS



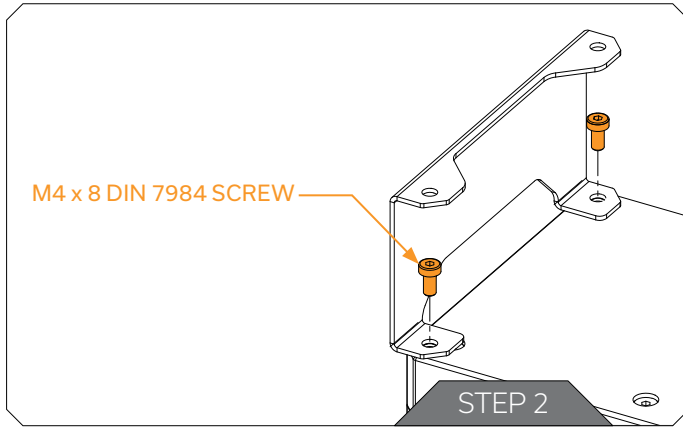
## STEP 1

To enable installation of the reservoir onto fans, radiators or where clearance for the pump is required EK supplies a pair of FLT mounts along with M4 nuts, washers and additional screws. They can be positioned across any pair of mounting holes in several orientations.

Position the mounts as desired on the reverse side of the reservoir.

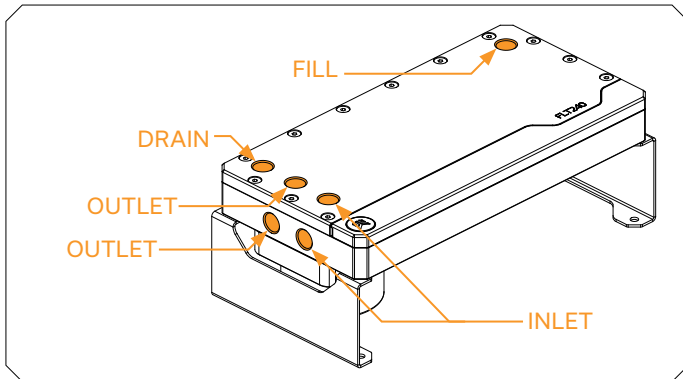
## STEP 2

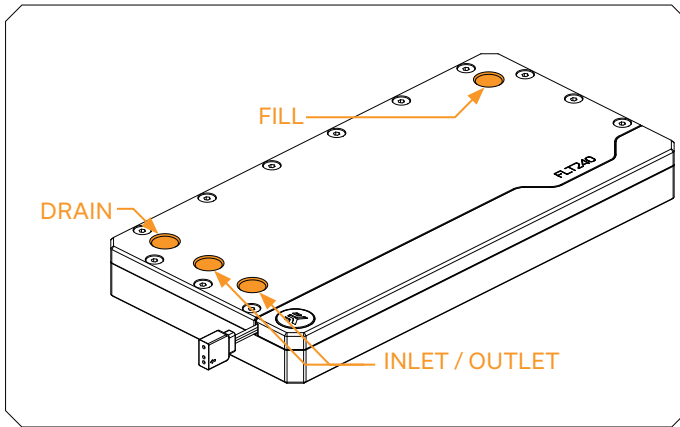
Screw the mounts in place using supplied M4 x 8 screws and 2.5 mm allen key.



## ATTACHING THE FITTINGS

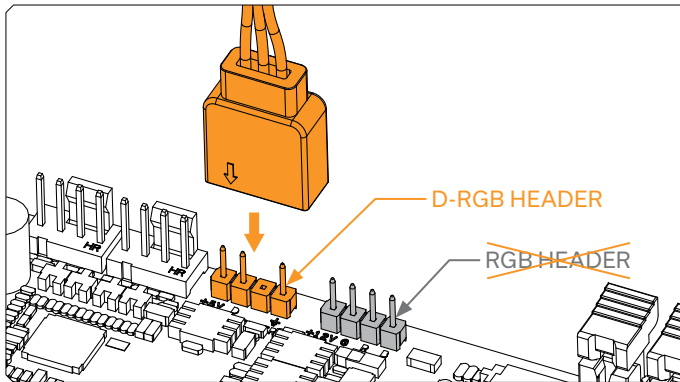
EK-Quantum Kinetic FLT has two inlet and two outlet ports, one of each must be used! All 4 unused ports should be blocked using G1/4 plugs.





EK-Quantum Volume FLT has two ports which can be used as inlet or outlet, the chosen outlet should connect directly to your pump! The reservoir should be positioned above the pump to ensure it does not run without coolant. Both unused ports should be blocked using G1/4 plugs.

## CONNECTING THE D-RGB LED STRIP



Plug the 3-pin connector from the water block's D-RGB LED light in the D-RGB HEADER on the motherboard. The LED will work if the pin layout on the header is as follows: +5V, Digital.



Please ensure that the arrow indicated on the connector is plugged into the +5V line as indicated on your motherboard. Failure to do so will damage your motherboard or LED strip.

## TESTING THE LOOP

To make sure the installation of EK components was successful, we recommend you perform a leak test for 24 hours.

When your loop is complete and filled with coolant, connect the pump to a PSU outside of your system. Do not connect power to any of the other components. Turn on the PSU and let the pump run continuously. It is normal for the coolant level to drop during this process as air collects in the reservoir.

Inspect all parts of the loop, and in the eventuality that coolant leaks, fix the issue and repeat the testing process. Ensure that all hardware is dry before the system is powered on in order to prevent any damage.

## SUPPORT AND SERVICE

In case you need assistance or wish to order spare parts or a new mounting mechanism, please contact:


**<https://www.ekwb.com/customer-support/>**

For spare parts orders, refer to the page with "TECHNICAL SPECIFICATIONS AND PRODUCT PARTS" where you can find the EAN number of each part you might need.


Include the EAN number with quantity in your request. Mounting Mechanism EAN can be found under "BOX CONTENTS"

Thermal pads are readily available in the EK shop


## SOCIAL MEDIA

 EKWaterBlocks

 @EKWaterBlocks

 ekwaterblocks

 EKWBofficial

 ekwaterblocks

