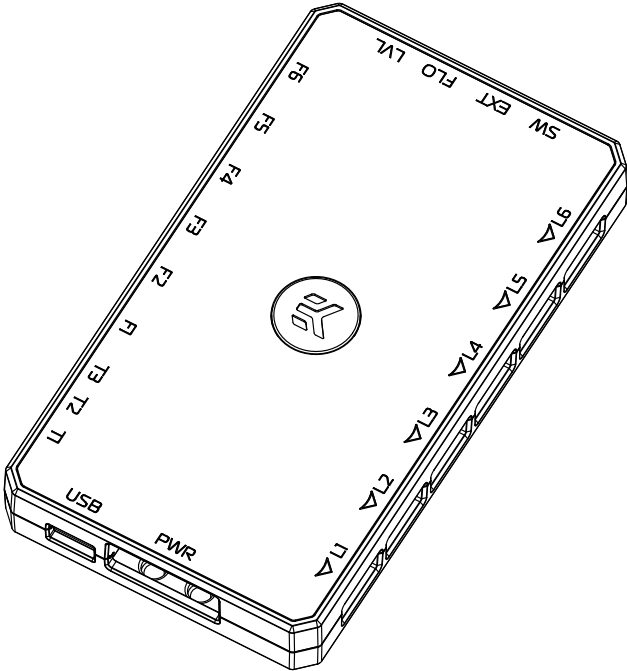


# EK-Loop Connect

CONTROLLER



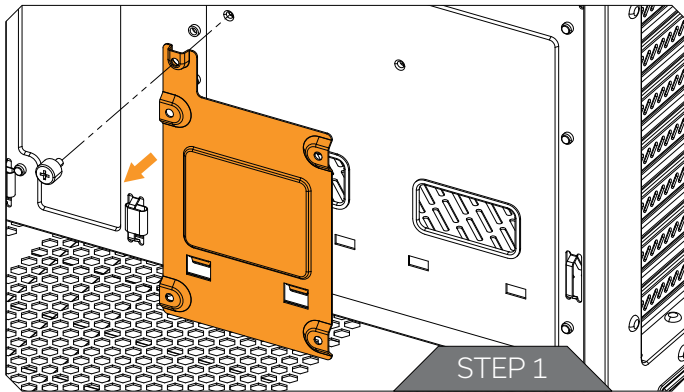
This product is intended for installation only by expert users. Please consult with a qualified technician for installation. Improper installation may result in damage to your equipment. EK Water Blocks assumes no liability whatsoever, expressed or implied, for the use of these products, nor their installation. The following instructions are subject to change without notice. Please visit our web site at [www.ekwb.com](http://www.ekwb.com) for updates. Before installation of this product please read important notice, disclosure and warranty conditions printed on the back of the box.

**This guide details the physical installation of your EK-Loop Connect controller and all of the standard connections which may be used to link your components.**

# TABLE OF CONTENT

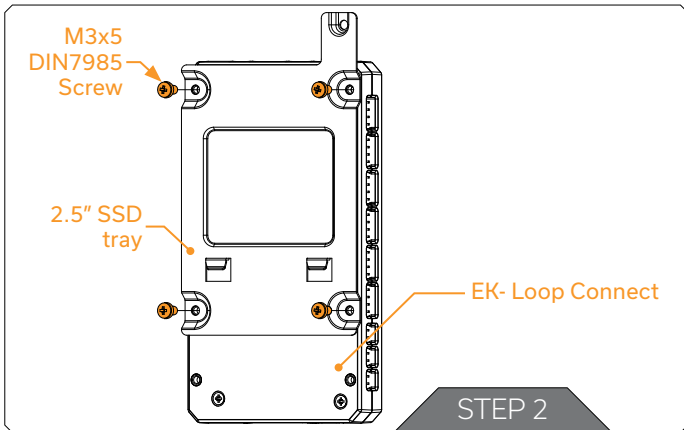
<b>INSTALLING THE EK-LOOP CONNECT IN TO THE CHASSIS</b>	<b>4</b>
<b>CONNECTING THE FAN-S</b>	<b>5</b>
<b>CONNECTING THE D-RGB LED</b>	<b>6</b>
<b>TEMPERATURE SENSOR</b>	<b>6</b>
<b>CONNECTING THE USB CABLE</b>	<b>7</b>
<b>CONNECTING THE POWER ADAPTER</b>	<b>8</b>
<b>SOFTWARE</b>	<b>8</b>
<b>SUPPORT AND SERVICE</b>	<b>9</b>
<b>SOCIAL MEDIA</b>	<b>9</b>

## INSTALLING THE EK-LOOP CONNECT IN TO THE CHASSIS



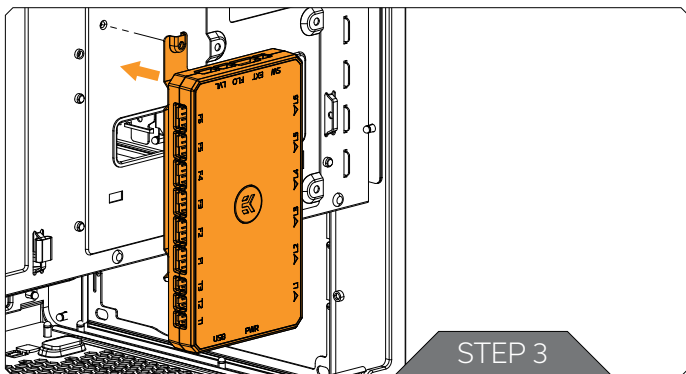
### STEP 1

Remove the desired 2.5" SSD tray



### STEP 2

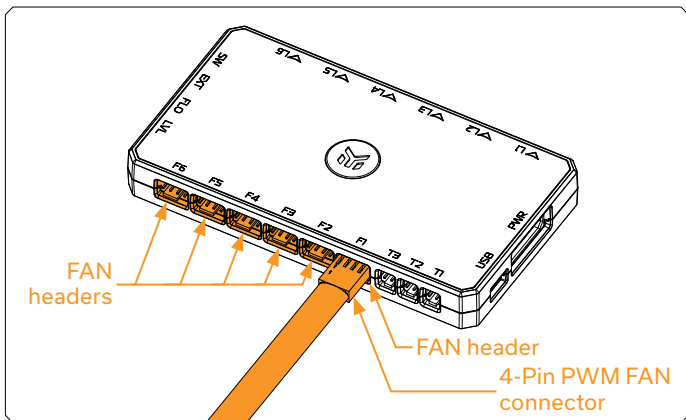
Install the EK-Loop Connect on to the metal plate using M3X5 DIN7985 Screws.



### STEP 3 Final Installation

Attach the metal plate with pre-assembled EK-Loop Connect on to the case.

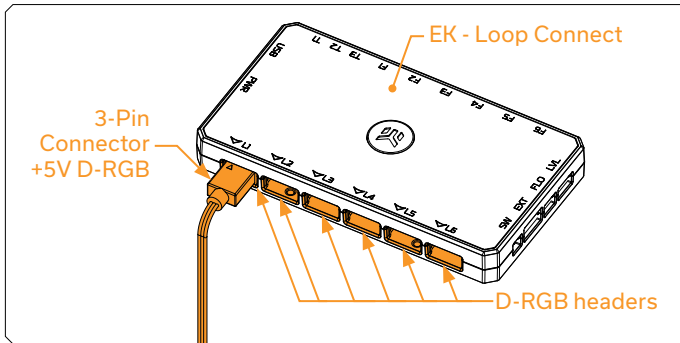
## CONNECTING THE FAN-S



The controller is compatible with 4-pin PWM Fans, 3-pin Fans may be used however it will not be possible to adjust the speed. Insert the 4-pin Fan connectors as shown below to the 6 Fan headers marked F1-F6.

Fan Splitters may be used to connect multiple Fans to one header. EK recommends the use of Splitters with separate power connectors for 4 or more fans. Do not connect splitters in series!

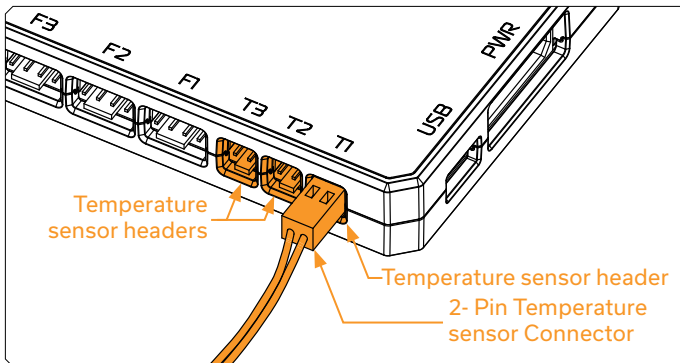
## CONNECTING THE D-RGB LED



There are 6 Lighting headers marked with L1-L6, these headers are compatible only with 5V D-RGB products and LED strips! Make sure that the arrows are aligned.

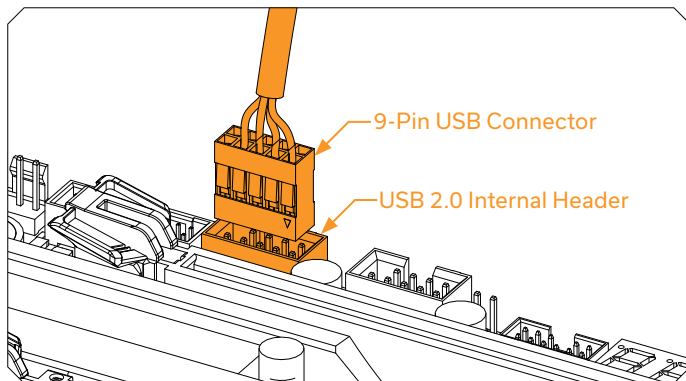
D-RGB Splitters may be used to connect multiple D-RGB products to a single header. Do not connect splitters in series!

## TEMPERATURE SENSOR

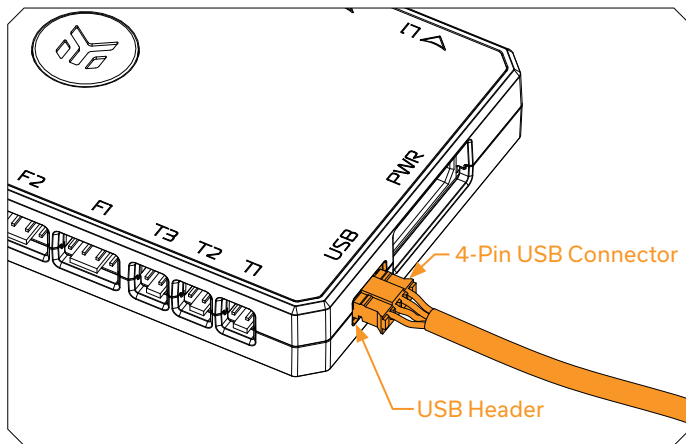


Optionally up to 3 temperature sensors may be installed to the headers marked T1-T3.

## CONNECTING THE USB CABLE

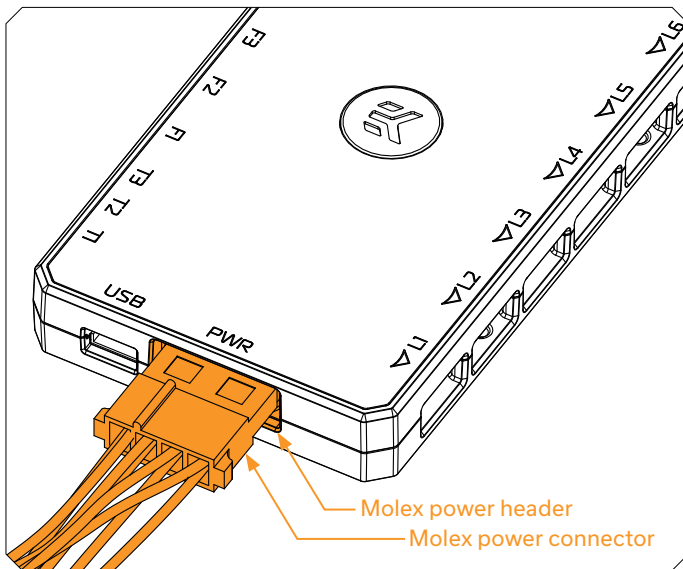


EK-Loop Connect must be linked to the motherboard using the supplied Internal USB 2.0 cable. Connect the 9-pin end to a USB2.0 header on the motherboard, pay attention to the orientation of the missing pin.



The other end of the USB cable should be plugged into the Connects USB port.

## CONNECTING THE POWER ADAPTER



Finally plug in the Molex power connector to the PWR port using either a Molex connector directly from your PSU or the supplied 2x SATA Power adapter.

## SOFTWARE

Now that physical installation of the EK-Loop Connect is complete you may install software and continue configuring all connected components.




## SUPPORT AND SERVICE

For assistance please contact:


<http://support.ekwb.com/>

EKWB d.o.o.  
Pod lipami 18  
1218 Komenda  
Slovenia - EU

## SOCIAL MEDIA

 EKWaterBlocks

 @EKWaterBlocks

 ekwaterblocks

 EKWBofficial

 ekwaterblocks

