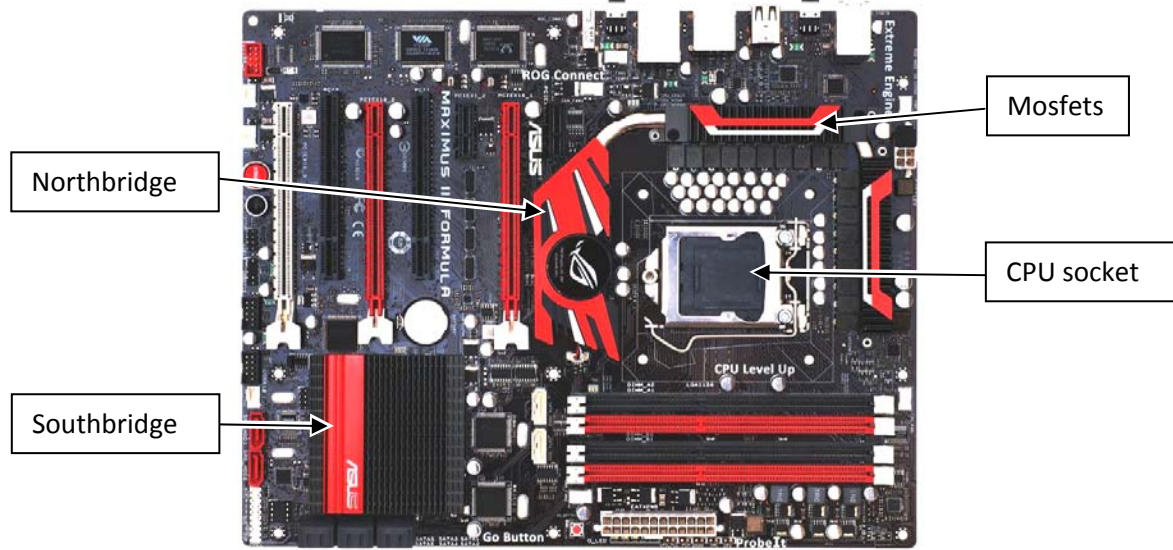




Installation and mounting manual for EK-FB ASUS MAXIMUS III FORMULA water block:

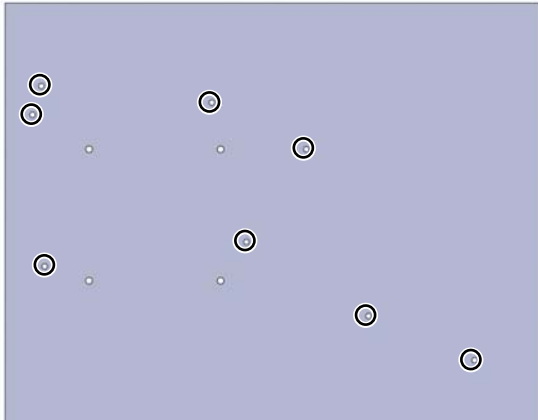
This product is intended for installation only by expert users. Please consult with a qualified technician for installation. Improper installation may result in damage to your equipment. EK Water Blocks assumes no liability whatsoever, expressed or implied, for the use of these products, nor their installation. The following instructions are subject to change without notice. Please visit our web site at www.ekwaterblocks.com for updates. Before installation of this product please read important notice, disclosure and warranty conditions printed on the back of the box. **The barb hose fittings require only a small amount of force to screw them in; otherwise the high flow fittings might break. These fittings do not need to be tightened with much force because the liquid seal is made using o-rings.**

STEP 1: GENERAL INFORMATION Sample photo of ASUS MAXIMUS III FORMULA PCB design



STEP 2: PREPARING YOUR MOTHERBOARD

1. REMOVING STOCK COOLER. Remove all encircled screws. All stock cooler assembly screws should be removed. There are 8 screws on the back of the motherboard that need to be removed.

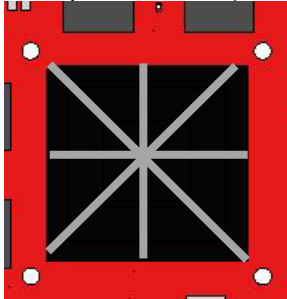


2. CLEANING THE PCB. Carefully detach the original stock cooler after removing **all** screws securing it to the board. Wipe off the remains (by using non-abrasive cloth or q-tip, as shown on sample photo) of the original thermal compound until the components and circuit board are completely clean. EKWB does not recommend using any liquids for removing paste.

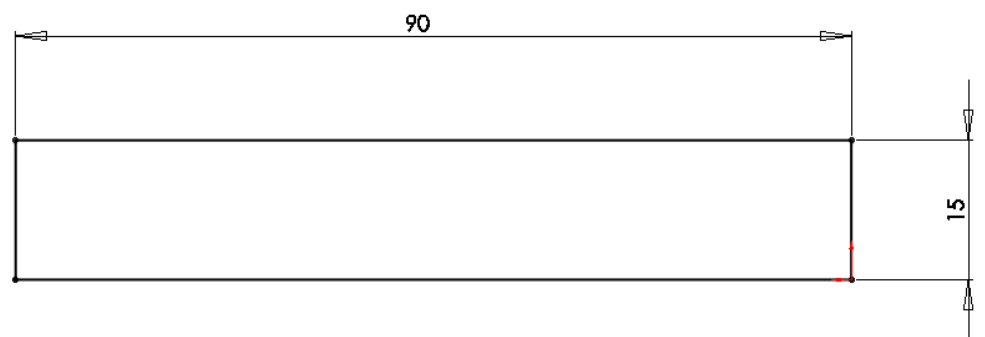


3. APPLYING THERMAL COMPOUND

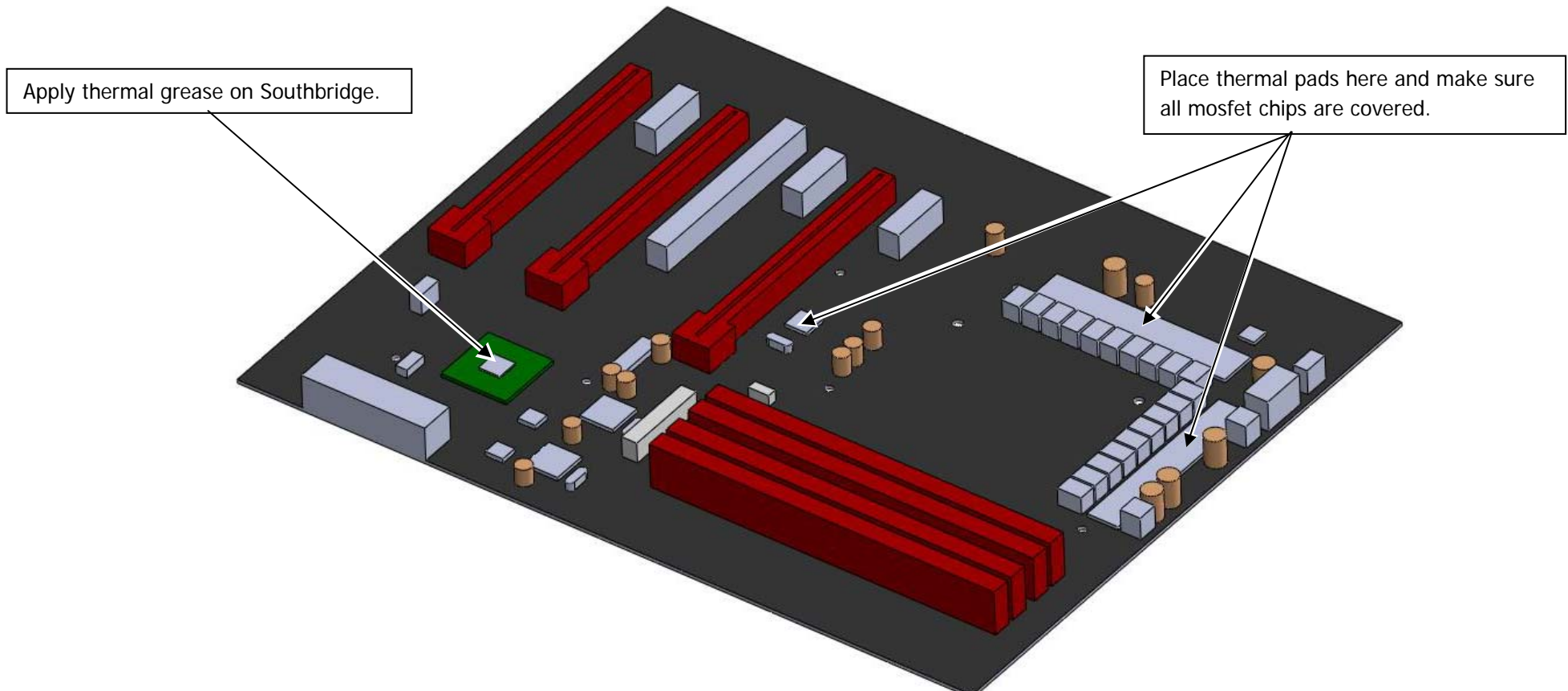
Apply thermal compound: lightly coat the Northbridge and Southbridge with for example Céramique™ thermal compound. Follow this link http://www.arctic-cooling.com/catalog/product_info.php?cPath=39 &mID=127&language=en for detailed instructions. EKWB recommends non-conductive MX-2, which should be applied in cross form for best performance (see sample picture).



4. CUTTING THERMAL PADS. Two thermal pads (90x15x1mm) are enclosed with your water block. You will have to shorten thermal pads a bit in order to cover all the surfaces that are left exposed on mosfets. (WARNING: DIMENSIONS ON PICTURES BELOW ARE SCALED!)

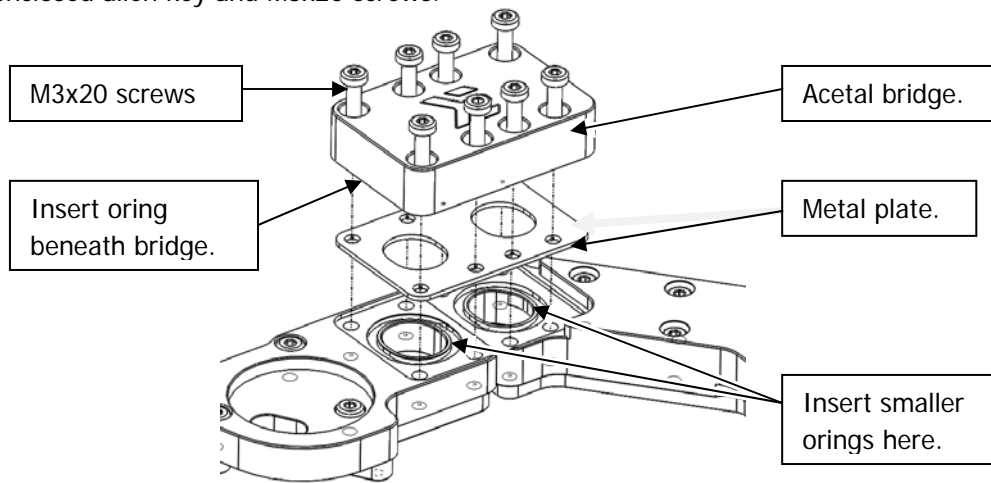


5. PLACING THERMAL PADS ON MOTHERBOARD. Place thermal pads you cut on PCB as shown on picture bellow. (PLEASE REMOVE FOIL OF THERMAL PADS PRIOR TO INSTALLATION.)

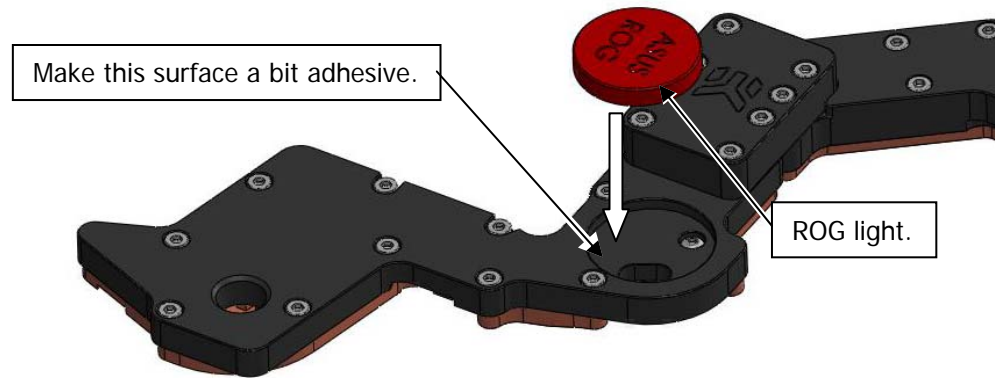


STEP 3: ASSEMBLING YOUR WATER BLOCK

1. Your block comes disassembled with all required assembly screws. Please attach together NB/SB and mosfet block. First insert two smaller orings (gaskets) into channels. Put over metal plate, following acetal connection bridge (do not forget to insert oring into bridge channel as well). Afterwards screw everything together using enclosed allen key and M3x20 screws.

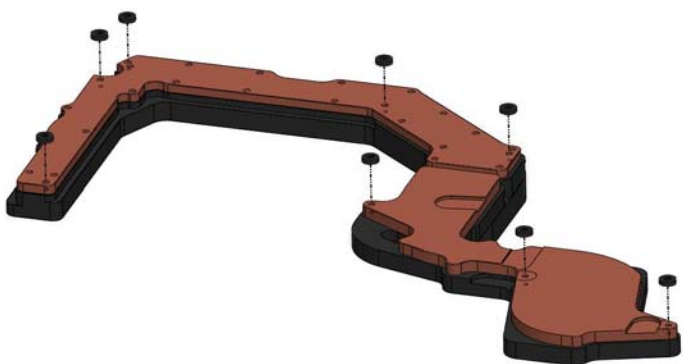
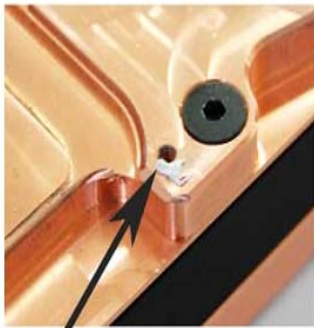


2. ATTACHING ROG stock light. Put small amount of magic glue or double sided duct tape on the surface as shown below. (Make sure that you do not block hole with tape!). Put cables with connector through hole on block and gently press ROG fan onto pre-glued surface.



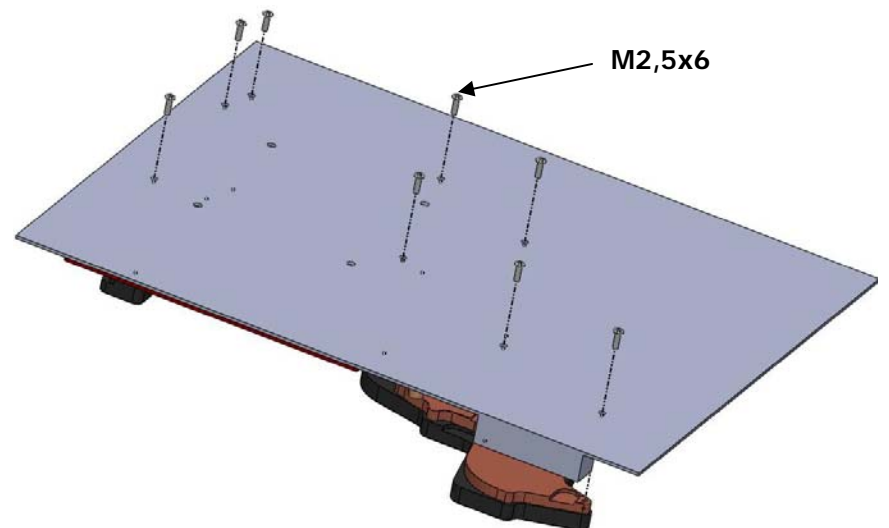
STEP 4: ATTACHING BLOCK TO MOTHERBOARD

1. PLACING STANDOFFS. Apply small amount of thermal grease around mounting holes and place acetal standoffs (thickness 2,1 mm) so the holes are concentric. Thermal paste provides enough adhesive force for standoffs to stay in a place.



2. MOUNTING THE BLOCK. For perfect thermal contact, the block does not use a spring mounting system; therefore when attaching be very careful to tighten all screws equally. **First connect ROG light with motherboard in order to make it functional when power is turned on. Afterwards start tightening the screws from the center of the block near the northbridge, and continue evenly outwards. Do not use too much pressure on screws, because motherboard might bend and either cause bad contact with water block, or break a connection on the board.**

Use the enclosed screws and washers as shown in picture below:



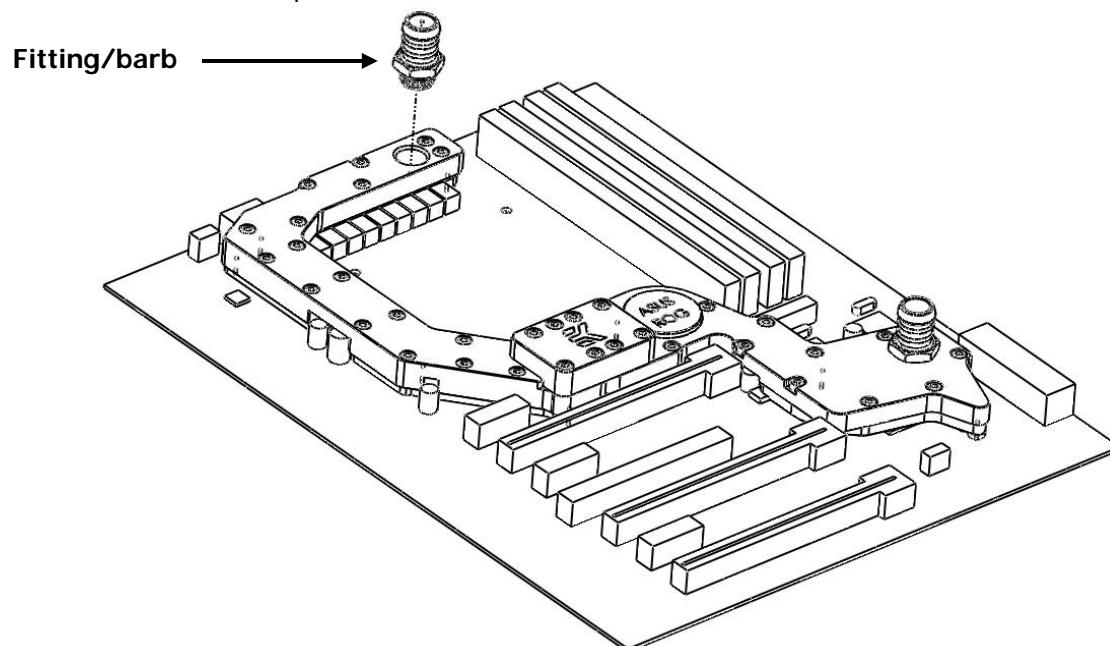
STEP 5: CHECKING FOR CONTACTS

Temporarily remove the water block to check for uniform surface contact between the block and the components. Note the pattern of contact on a piece of paper. Then repeat steps 3 and 4 to reattach the block applying more or less pressure to the areas where you have found it necessary.

STEP 6: POSITIONING FITTINGS AND CONNECTING TO WATER CIRCUIT

1. Screw in fittings as shown in photo, attach the liquid cooling tubes and connect the water-block(s) into the cooling circuit. The EK-FB ASUS MAXIMUS III FORMULA series are usually sold with high flow fittings. To ensure that the tubes are securely attached to the barb/fittings, please use hose clamps or an appropriate substitute. The use of an algacide is always recommended for any liquid cooling system.

You can use any hole as an inlet/outlet hole. Please make sure spacer is installed in hole as shown below.



REQUIRED TOOLS AND MOUNTING SCREWS:



scissors



phillips screwdriver



8 screws M2,5x6 DIN7985



2,5mm allen key